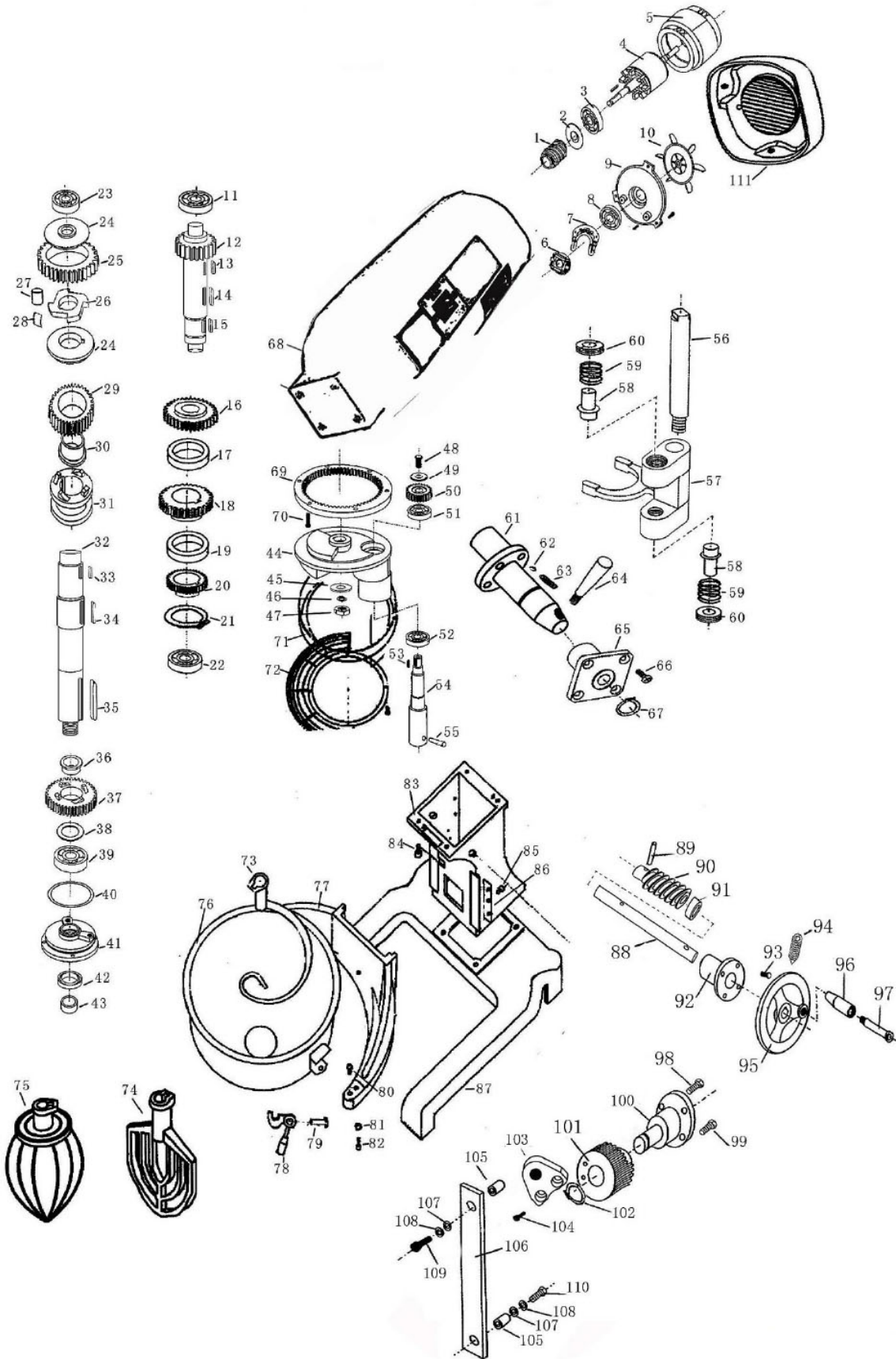


EXPLODED VIEW
MAXIMA PLANETARY MIXER 10 L
09300160



PARTS LIST

1	Worm For Motor	38	Gear Retaining Ring	75	Whip
2	Oil Seal	39	Bearing	76	Bowl
3	Bearing	40	O Rings	77	Seat Bowl
4	Motor Rotor	41	Bearing Pedestal	78	Bowl Lock Handle
5	Motor Stator	42	Oil Seal	79	Handle Resale
6	Centrifugal Switch	43	Oil Seal Sleeve	80	Bowl Lock Pin
7	Centrifugal Switch	44	Transposition	81	Spring Washer
8	Bearing	45	Flat Key	82	Screw
9	Cover For Motor	46	Spring Washer	83	Pillar
10	Fan Blade	47	Screw	84	Cylindrical Screw
11	Bearing	48	Hexagon Socket Head Screw	85	Hexagonal Screw
12	Input Shaft	49	Flat Key	86	Binder Plate
13	Flat Key	50	Planet Gear	87	Pedestal
14	Flat Key	51	Bearing	88	Worm Shaft
15	Flat Key	52	Bearing	89	Cylindrical Pin
16	Input Shaft Gear	53	Flat Key	90	Worm Shaft
17	Input Shaft Sheelve	54	Planet Shaft	91	Sleeve
18	Copper Worm Gear	55	Tapered Pin	92	Worm Seat
19	Spring Washer	56	Shift Rail	93	Screw
20	Bottom Of Gear	57	Shift Fork	94	Inner Hexagonal Screw
21	Shaft Retaining Ring	58	Lifting For Shift Fork	95	Lifting Of Hand Wheel
22	Bearing	59	Spring For Shift Fork	96	Lifting Handle
23	Bearing	60	Screw For Shift Fork	97	Handle Mandrel
24	Ratchet Wheel Cover	61	Shift Mandrel	98	Inner Hexagonal Screw
25	Outer Ring	62	Steel Ball	99	Inner Hexagonal Screw
26	Inner Star-Shape Gear	63	Spring For Gears	100	Worm Seat
27	Roller	64	Speed Change Handle	101	Worm
28	Roller Pressure Spring	65	Gear Shift Base	102	Shaft Retaining Ring
29	Clutch Gear	66	Circular Head Screw	103	Extended Crank
30	Output Shaft Gear Sleeve	67	Shaft Circlip	104	Inner Hexagonal Screw
31	Output Shaft Clutch	68	Body	105	Connecting Rod Sleeve
32	Output Shaft	69	Inner Gear	106	Rod
33	Flat Key	70	Cylindrical Screw	107	Flat Key
34	Flat Key	71	Protective Net Seat	108	Spring Washer
35	Flat Key	72	Protective Net	109	Hexagonal Screw
36	Output Shaft Gear Sleeve	73	Hook	110	Hexagonal Screw
37	Clutch Gear	74	Beater	111	Back Cover