



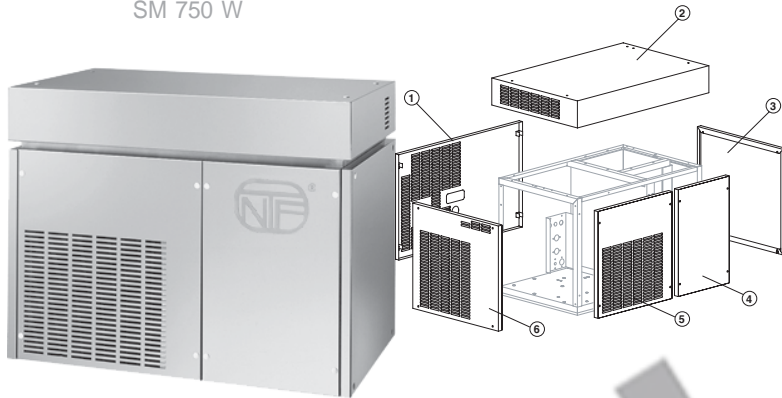
SM 750

LIST OF THE EXPLODED VIEWS

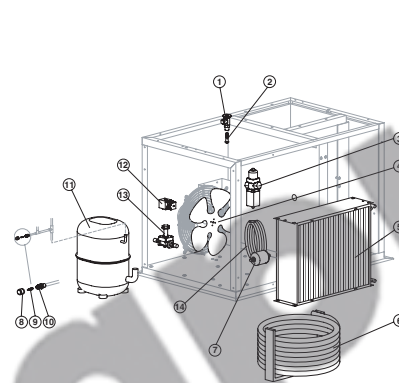
2nd Version

SM 750 A
SM 750 W

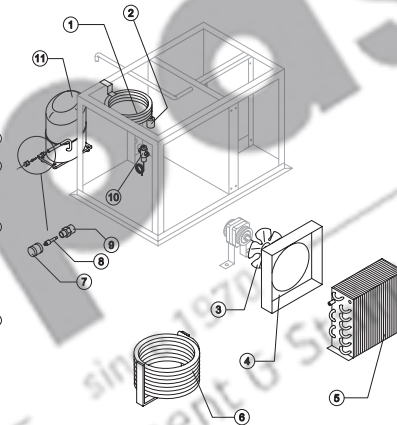
SHELL ASSY



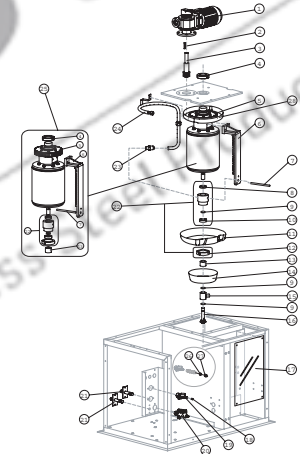
COOLING SYSTEM
(2nd VERSION)



COOLING SYSTEM
(1st VERSION)



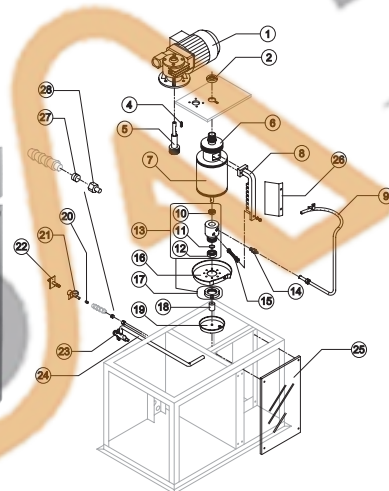
EVAPORATOR
(2nd VERSION)



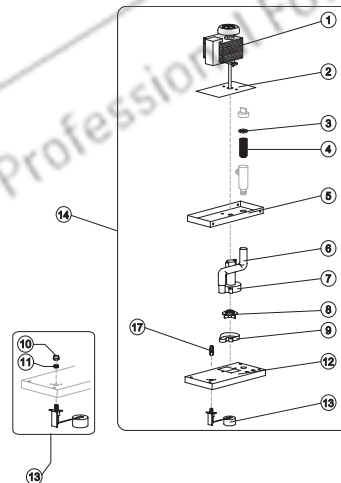
1st Version

SM 750AW
SM 750W

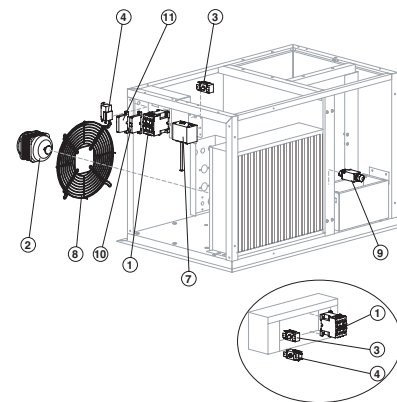
EVAPORATOR
(1st VERSION)



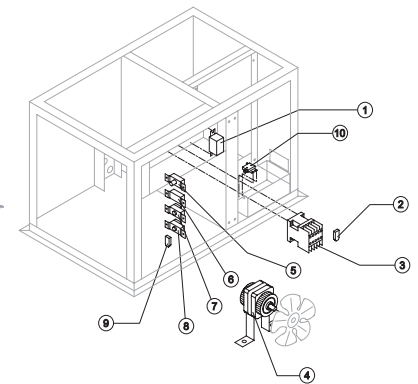
PUMP



ELECTRIC PARTS
(2nd VERSION)



ELECTRIC PARTS
(1st VERSION)

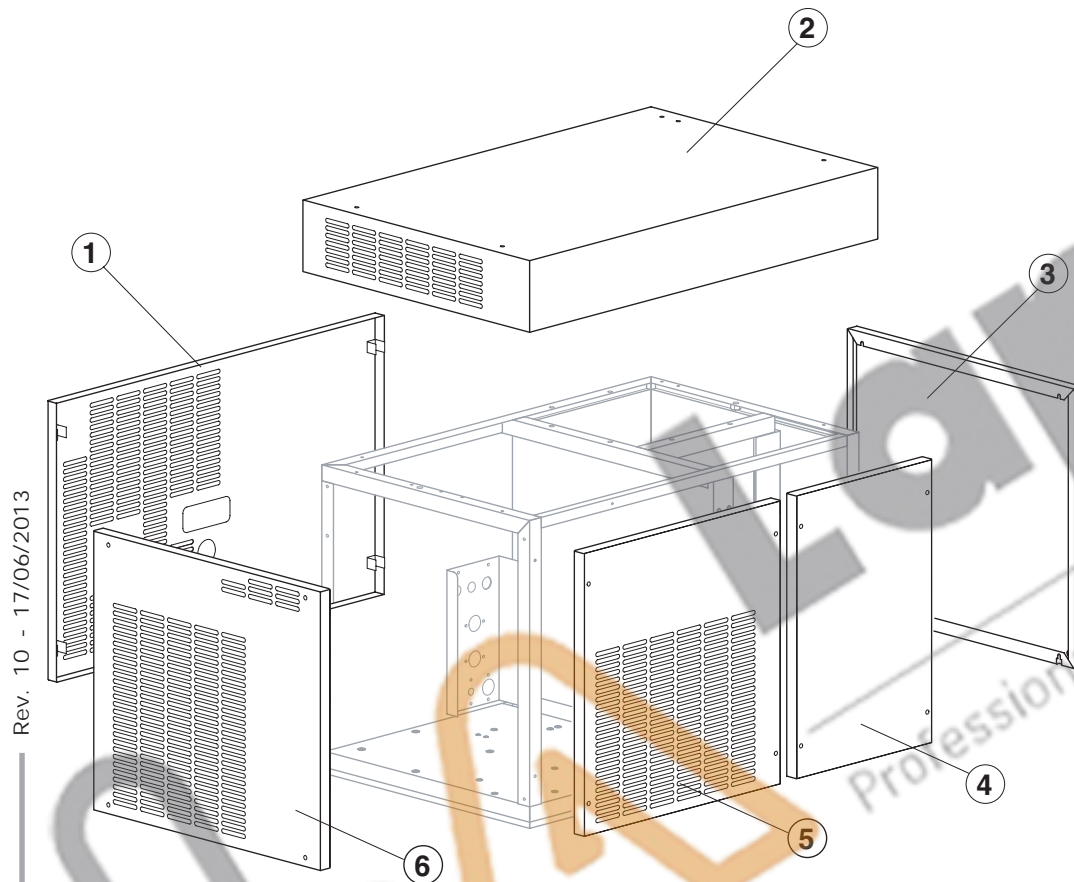


Rev. 10 - 17/06/2013



SM 750

SHEL L ASSY



Ref.	Spare Description	Code
1	Rear Panel	N22427
2	Top Assembly	NC22422
3	Right Side Panel	N22425
4	Front Panel Assy (Evaporator Side)	N22424
5	Front Panel (Condenser Side)	NC22423
6	Left Side Panel	N22426

Rev. 10 - 17/06/2013



Common Parts

Ref.	Spare Description	Code
1	Expansion Valve	N20734
2	Orifice	Current Version N20943
2	Orifice	Till s/n. 471184 N20797
7*	Solid Core Drier	N14084
8*	Vacuum-Charge Valve Plug	N14006
9*	Vacuum-Charge Valve Device	N14005
10	Vacuum-Charge Valve Body	N14007
11	Compressor	See Table -
12*	Hot Gas Valve Coil	N23091
13*	Hot Gas Valve Body	N20409

Parts for Air-Cooled Version Only

Ref.	Spare Description	Code
4	Sucking Fan	N20407
5	Air Condenser	N20670

Parts for Water-Cooled Version Only

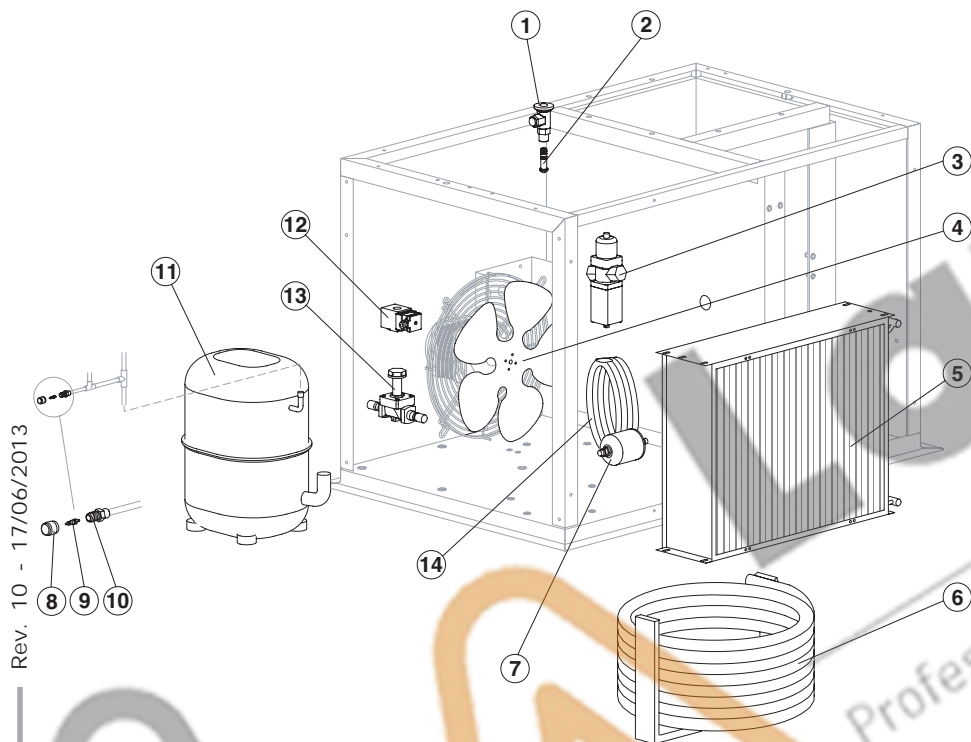
Ref.	Spare Description	Code
3	Pressostatic Valve	N20149
6	Water Condenser	N14507

Parts for Mixed Cooled Version Only

Ref.	Spare Description	Code
4	Sucking Fan	N20407
5	Air Condenser	N20670
14	Water Condenser	N14014

Ref. 10- Compressor

Voltage	Code
220/240V 50 Hz	N23514
220/230V 60Hz	N23515
400V 3N 50 Hz	N23516



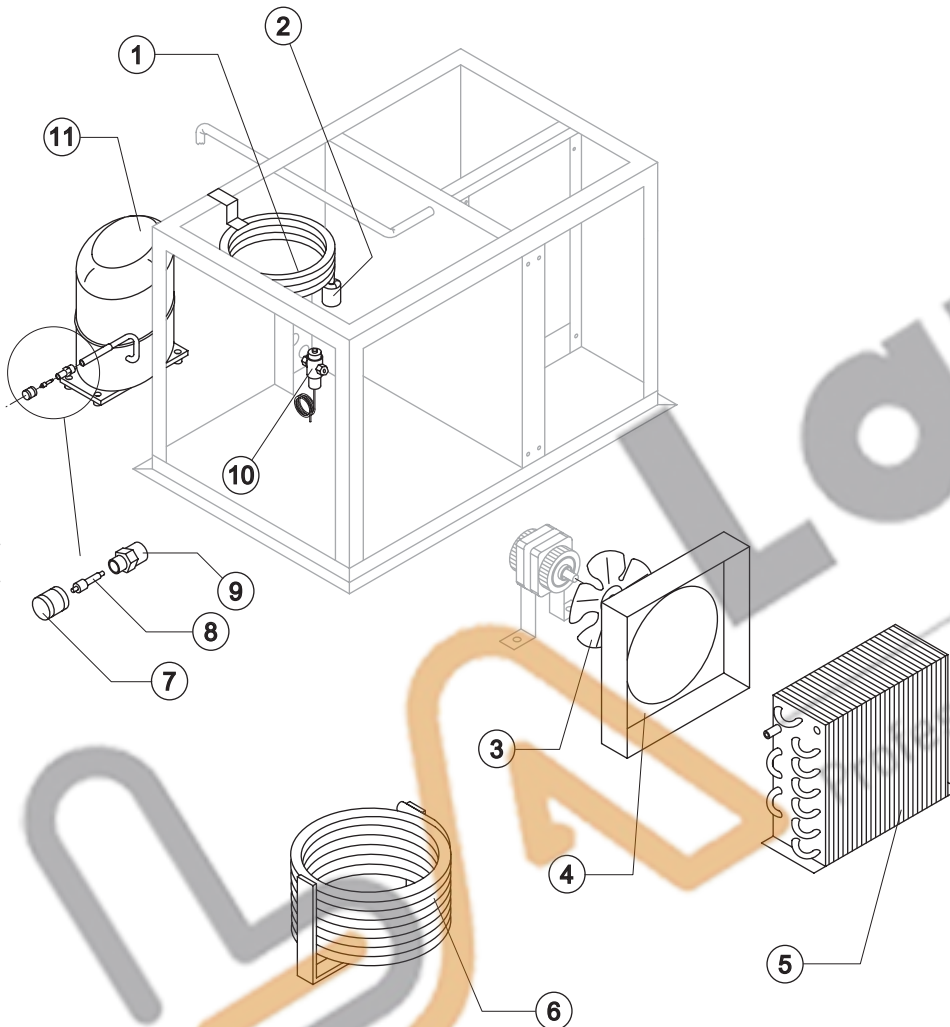
Rev. 10 - 17/06/2013



SM 750

1st Version SM750A/W - SM750W

COOLING SYSTEM



Common Parts

Ref.	Spare Description	Code
2	Solid Core Drier	N14084
7	Vacuum-Charge Valve Plug	N14006
8	Vacuum-Charge Valve Device	N14005
9	Vacuum-Charge Valve Body	N14007
10	Presostatic Valve	N20149
11	Compressor	See Table

Parts for Water-Cooled Version Only

Ref.	Spare Description	Code
3	Sucking Fan	N20095
6	Water Condenser	N14285

Parts for Mixed Cooled Version Only

Ref.	Spare Description	Code
1	Water Condenser	N14014
3	Sucking Fan	N20153
4	Conveyor	N10238
5	Air Condenser	N20651

Ref. 11- Compressor

Voltage	Code
220/240V 50 Hz	N23514
220/230V 60 Hz	N23515
230V 3 50 Hz	N23564
400V 3N 50 Hz	N23516
220-230V 3 60 Hz	N23564

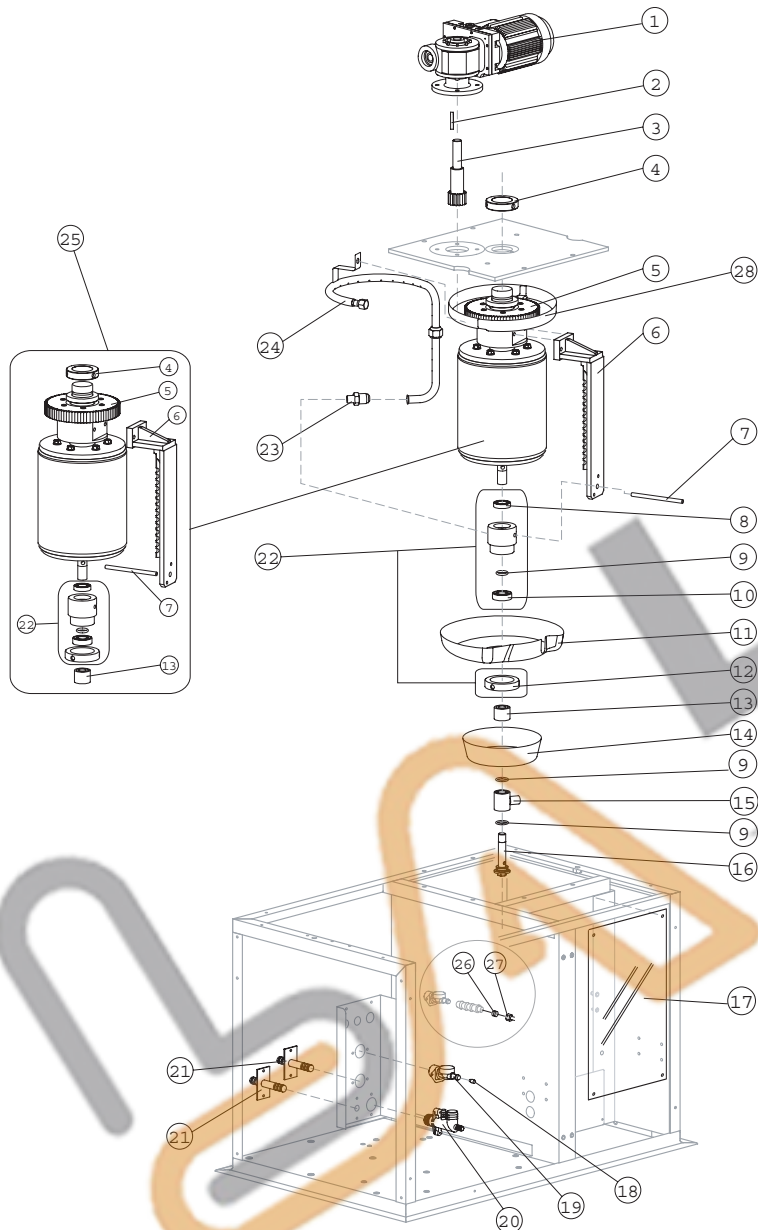
Rev. 10 - 17/06/2013



SM 750

2nd Version SM750A - SM750W - SM750AW

EVAPORATOR



Common Parts

Ref.	Spare Description	Code
1	Gearmotor Assy	See Table
2	Key 6x6x40	N20350
3	Pinion with Shaft for Gearmotor	NC20344
4	Cylinder Locking Ring Nut	N20324
5	Ring Gear	N20354
6	Scraper	Current Version Till s/n. 377385
6	Scraper	N20330
7	M8 Tie Rod (to Block Scraper)	N20329
8	Stainless Steel Upper Bearing	N20531
9	Silicone OR 4081 Ring	N20338
10	Stainless Steel Bearing	N20045
11	Rotating Basin	N10184
12	Ring Nut for Rotating Ring	N10182
13	Spacer	Current Version Till s/n. 377385
13	Spacer	N20321
14	Fixed Basin	NC10598
15	Water Inlet Ring	N20851
16	Screw	N20849
17	Evaporator Chamber Shield	Current Version Till s/n. 377385
17	Evaporator Chamber Shield	N10187
19	1 Way- Water Inlet Nipple	N10239
20	Discharges Manifold	N10580
22	Complete Rotating Ring	NC10180
23	Joint	N20335
24	Sprayer Ring	NC20858
24	Sprayer Ring	Till s/n. 377385 NC20319
25	Evaporator	Current Version Till s/n. 377385
25	Evaporator	NC20844
26	Bush	Till s/n. 261851 N20405
27	Nut	Till s/n. 261851 N20404
28	Ring Gear Cover	From s/n. 551986 NC10629

Parts for Mixed Cooled Version Only

Ref.	Spare Description	Code
18	Lt. 1,2 Flow Control for Water Inlet Connector	N10011
21	Connection with Plate	NC20462

Parts for Water-Cooled Version Only

Ref.	Spare Description	Code
21	Connection with Plate	NC20462

Ref. 1- Gearmotor assy

Voltage	Code
220/240V 50 Hz	NC23412
220/230V 60Hz	NC23389

Rev. 10 - 17/06/2013



SM 750

1st Version SM750A/W - SM750W

EVAPORATOR

Common Parts

Ref.	Spare Description	Code
1	Gearmotor Assy	NC23363
2	Cylinder Locking Ring Nut	N20324
4	Key 6x6x40	N20350
5	Pinion with Shaft for Gearmotor	NC20344
6	Ring Gear	N20354
7	Evaporator	NKITNEVSM750
8	Scraper	N20330
9	Sprayer Ring	NC20319
10	Stainless Steel Upper Bearing	N20531
11	Silicone OR 4081 Ring	N20338
12	Stainless Steel Bearing	N20045
13	Complete Rotating Ring	NC10180
14	Joint	N20335
15	M8 Tie Rod (to Block Scraper)	N20329
16	Rotating Basin	N10184
17	Ring Nut for Rotating Ring	N10182
18	Spacer	N20321
19	Fixed Basin	NC10185
21	1 Way- Water Inlet Nipple	N10239
24	Overflow Pipe	N13082
25	Evaporator Chamber Shield	N10187
26	Baffle Plate	N10421
27	Bush	N20405
28	Nut	N20404

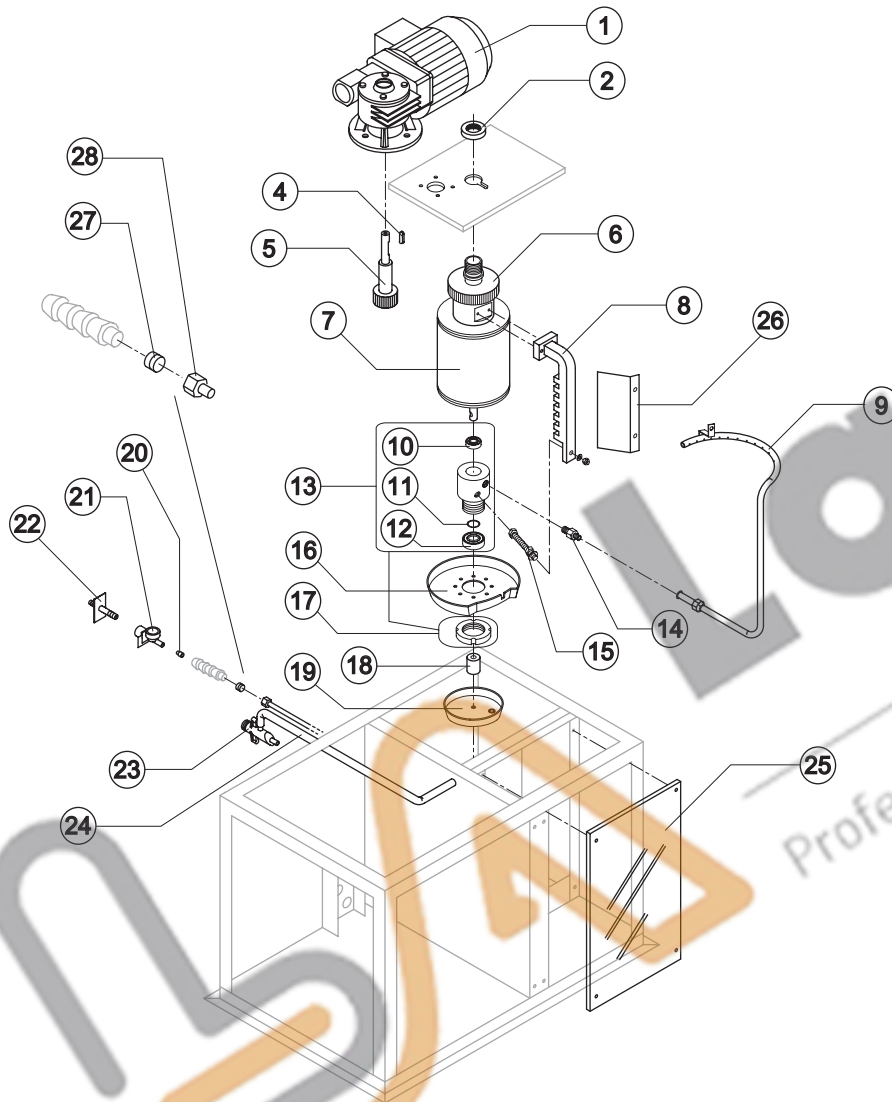
Parts for Air-Cooled Version Only

Ref.	Spare Description	Code
22	Connection with Plate	NC20462
23	Discharges Manifold	N10579

Parts for Mixed Cooled Version Only

Ref.	Spare Description	Code
20	Lt. 1,2 Flow Control for Water Inlet Connector	N10011
23	Discharges Manifold	NC10053

Rev. 10 - 17/06/2013



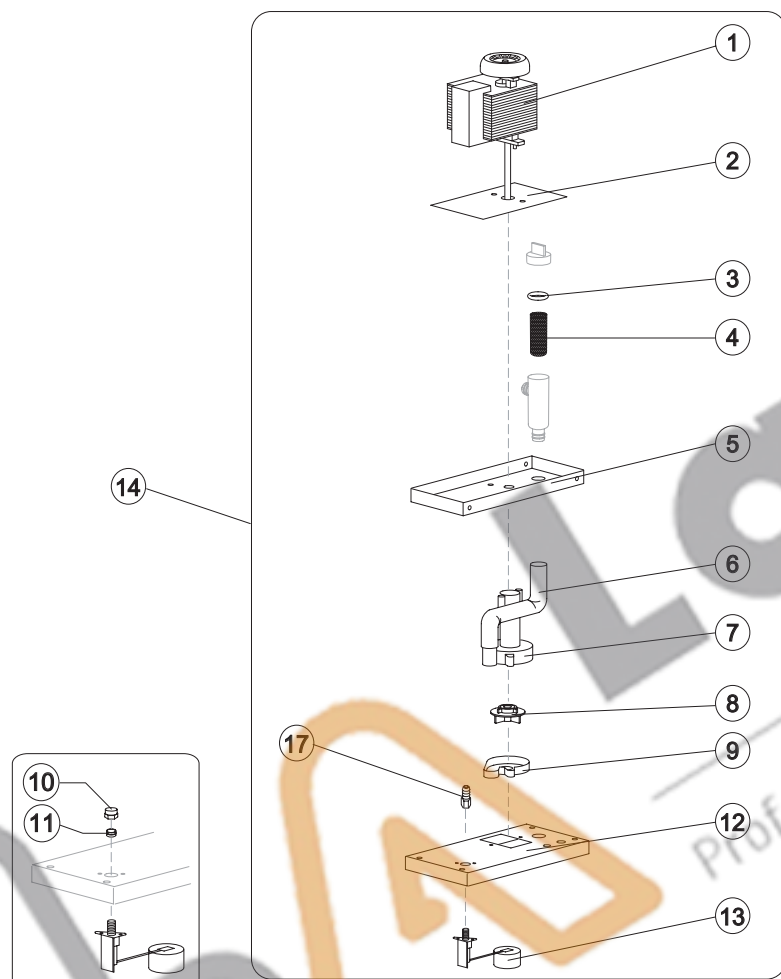


SM 750

2nd Version SM750A - SM750W - SM750A/W

1st Version SM750A/W - SM750W

PUMP



Till s/n. 261581

Ref.	Spare Description	Code
1	Pump	See Table
2	Heat Dissipator	N22430
3	Pump Filter Gasket	N13080
4	Filtering Element	N20254
5	Pump Motor Support	N10161
6	Pump-Filter Connection Pipe	N13084
7	Pump Body	N10065
8	Pump Impeller	N10190
9	Diffusor	N10067
10	Nut	Till s/n. 261581 N20404
11	Bush	Till s/n. 261581 N20405
12	Water Pump Basin Cover	N22420
13*	Floating Valve	Current Version N10188
13	Floating Valve Assy	Till s/n. 261581 NC10188
14*	Pump and Filter Assy	See Table
17	Connection	N20799

Ref. 1 - Pump Motor

Voltage	Code
220-240V 50 Hz	N23073
220-230V 60 Hz	N23187
230V 3 50 Hz	N23073
400V 3N 50 Hz	N23073
220-230V 3 60 Hz	N23187

Ref. 14* - Pump and Filter Assy

Voltage	Code	Till s/n. 377385
220-240V 50 Hz	NC26736	NC26557
220-230V 60 Hz	NC26737	NC26713
230V 3 50 Hz	NC26736	NC26557
400V 3N 50 Hz	NC26736	NC26557
220-230V 3 60 Hz	NC26737	NC26713



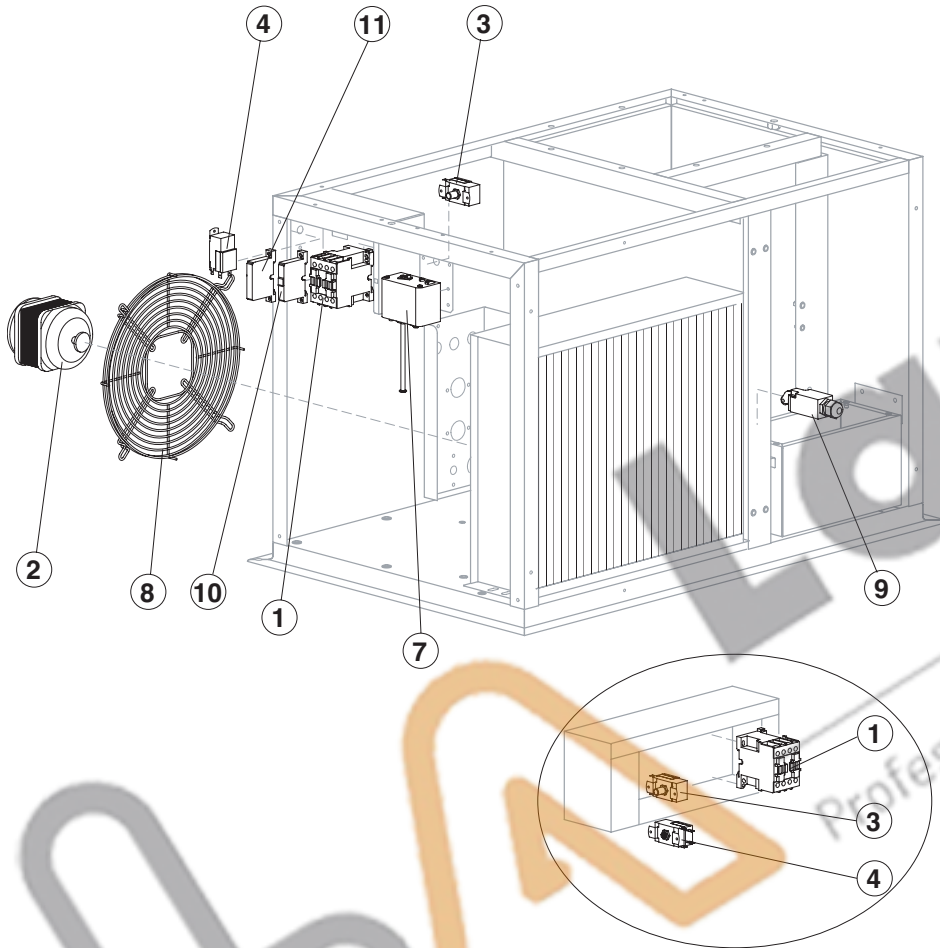
Ref. 14 - For ice-makers with s/n. before 261582 ask also the Nut (ref. 10) and the Bush (ref. 11).



SM 750

2nd Version SM750A - SM750W - SM750AW

ELECTRIC PARTS



Common Parts

Ref.	Spare Description	Code
1*	Contactor	See Table
3	Safety Pressure Switch (Maximum Pressure)	N23342
4*	Bin Thermostat	NR23005
7	Safety Pressure Switch (Minimum Pressure)	N23763
9	Microswitch for Overflow Ice	N23746
10	Thermomagnetic circuit breaker	N23910
11	Electronic Delay Timer	From s/n. 515704 N231033

Parts for Air-Cooled and Mixed Cooled Version Only

Ref.	Spare Description	Code
2*	Fan Motor	N23121
8	Fan Motor Grid	N12056

Ref. 1*- Contactor

Voltage	Code
T11	N23147
T12	N23963
T15	N23147
T16	N23963

Rev. 10 - 17/06/2013



SM 750

1st Version SM750A/W - SM750W

ELECTRIC PARTS

Common Parts

Ref.	Spare Description	Code
1	Relay	N23190
2	Anti Radio Interference Filter 220-240V 50 Hz e 400V 3N 50 Hz	NC23458
3	Contactur See Table	-
5	Safety Pressure Switch (Maximum Pressure)	N23342
7	Safety Thermostat	NR23447
8	Bin Thermostat	NR23421
10	Microswitch for Overflow Ice	N23373

Parts for Water-Cooled Version Only

Ref.	Spare Description	Code
4	Fan Motor	N23029

Parts for Mixed Cooled Version Only

Ref.	Spare Description	Code
4	Fan Motor	N23121
6	Condenser Pressure Switch	N23175
9	Anti Radio Interference Filter 220-240V 50 Hz e 400V 3N 50 Hz	NC23459

Ref. 3- Contactor

Voltage	Code
T11	N23147
T12	N23963
T14	N23147
T15	N23147
T16	N23963

Rev. 10 - 17/06/2013

