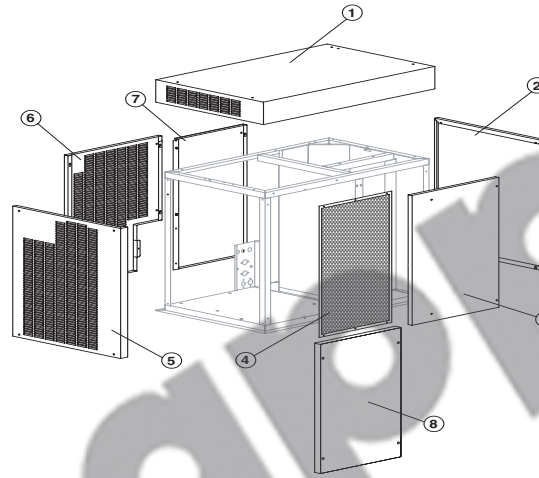




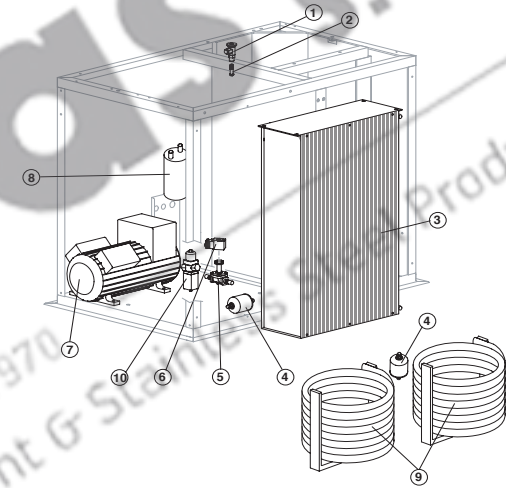
SM 3300

LIST OF THE EXPLODED VIEWS

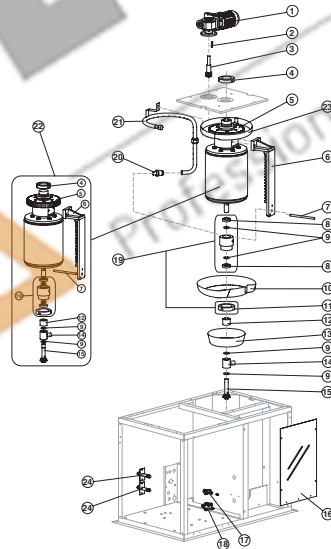
SHELL ASSY



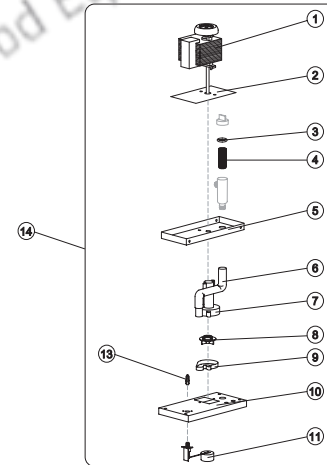
COOLING SYSTEM



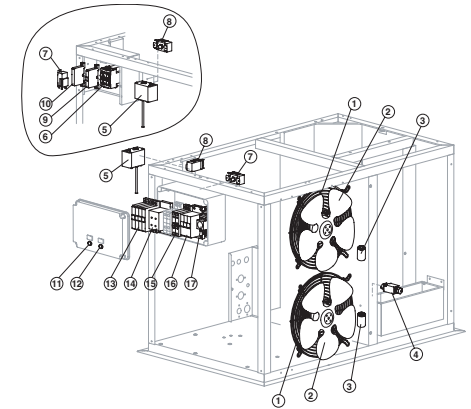
EVAPORATOR



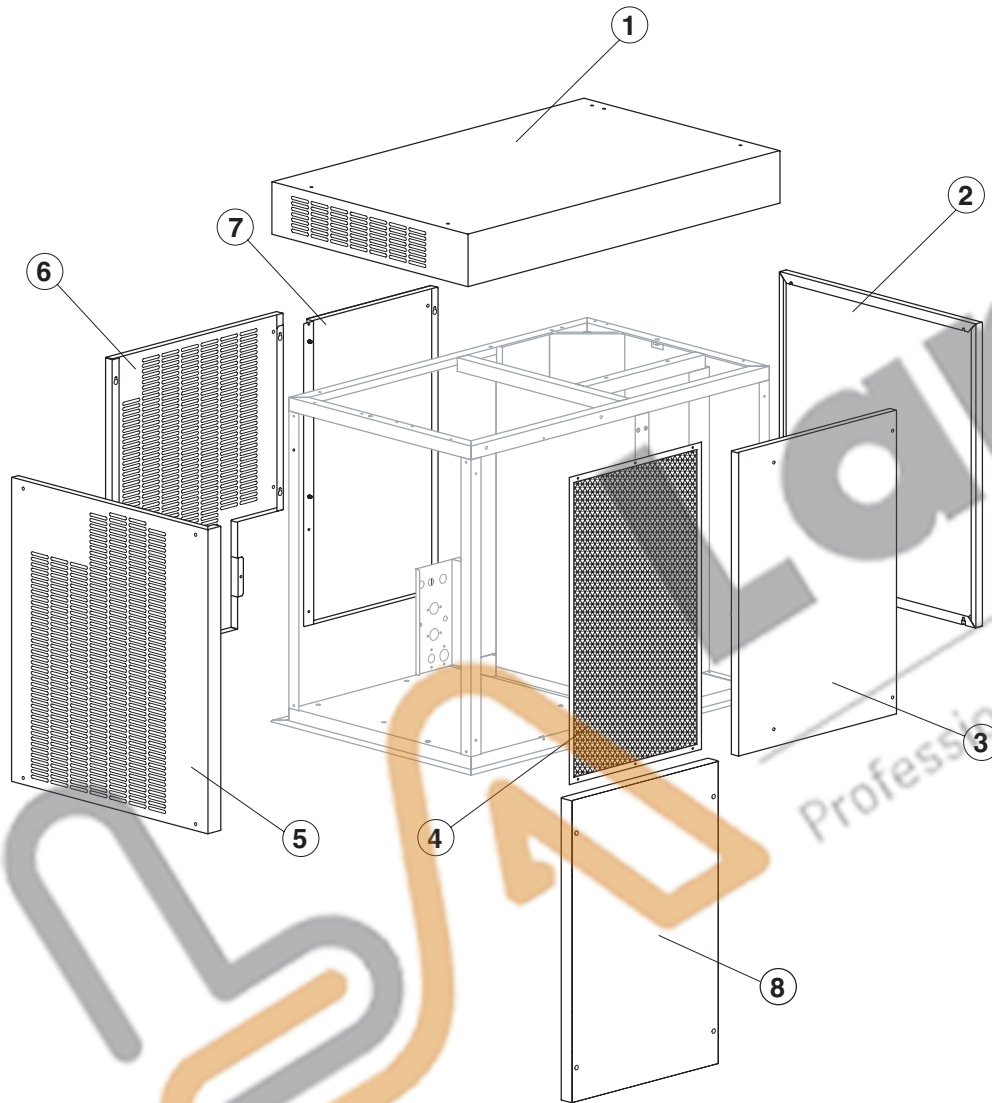
PUMP



ELECTRIC PARTS



Rev. 7 - 19/02/2015



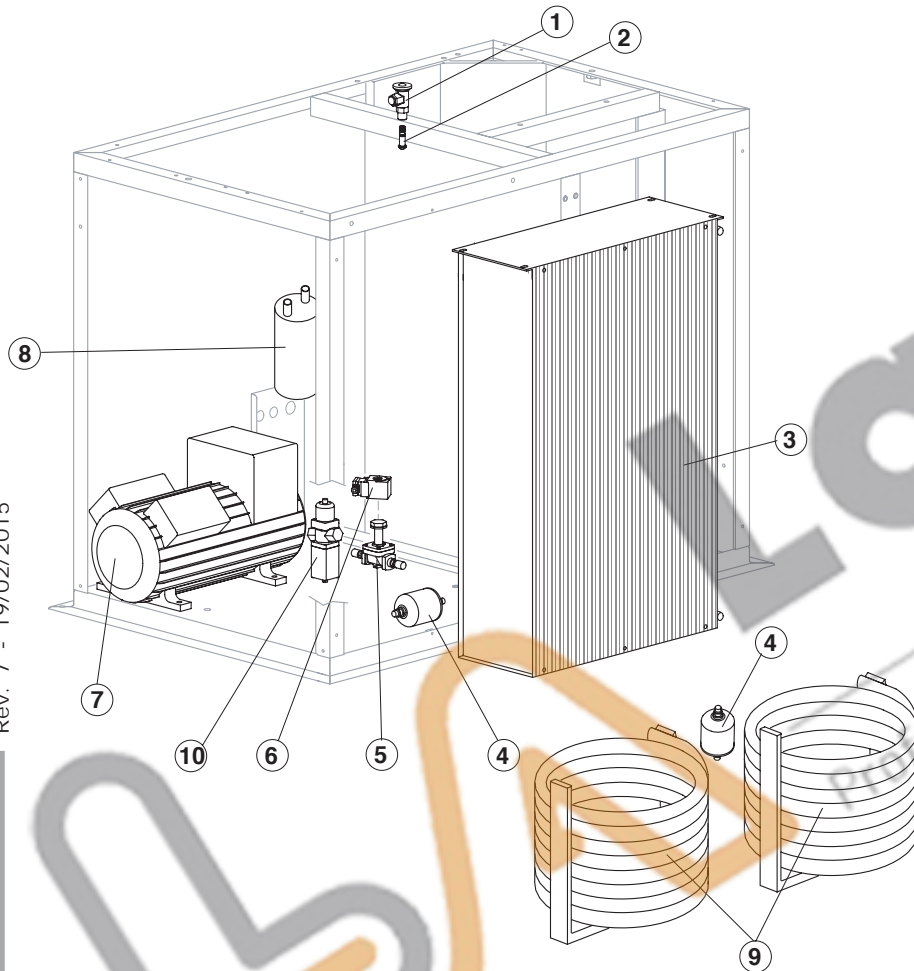
Ref.	Spare Description	Code
1	Top Assembly	NC22449
2	Right Side Panel	N221051
3	Front Panel Assy (Evaporator Side)	N221052
5	Left Side Panel	N221050
6	Rear Panel (Group Side)	N221054
7	Rear Panel (Evaporator Side)	N221053

Parts for Air-Cooled Version Only

Ref.	Spare Description	Code
4*	Filter	N18192

Parts for Water-Cooled Version Only

Ref.	Spare Description	Code
8	Front Panel (Evaporator Side)	N221102



Ref.	Spare Description	Code
1	Expansion Valve	N20826
2	Orifice	Current Version N20945
2	Orifice	Till s/n. 472347 N20833
4*	Solid Core drier	N14255
5*	Hot Gas Valve Body	N20409
6*	Hot Gas Valve Coil	N23091
7	Compressor	Current Version N231111
7	Compressor	Till s/n. 710391 N23863
8	Liquid Separator	N20883

Parts for Air-Cooled Version Only

Ref.	Spare Description	Code
3	Air Condenser	N20830

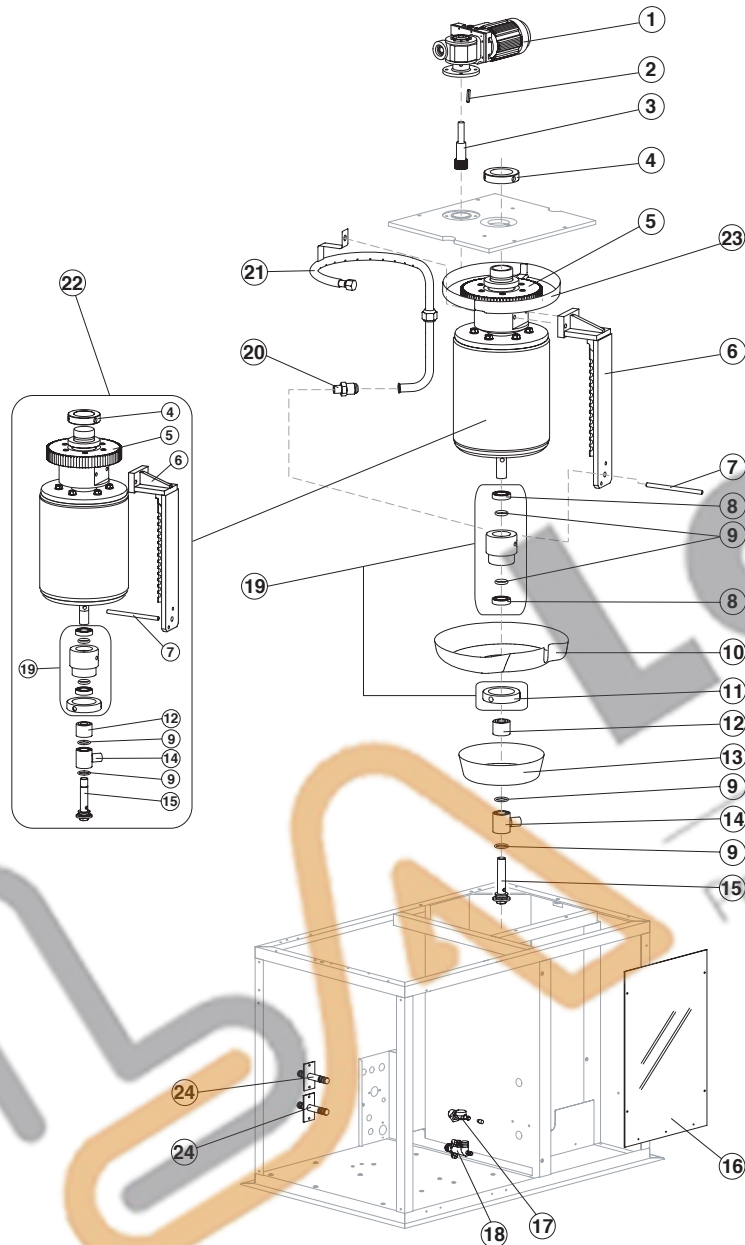
Parts for Water-Cooled Version Only

Ref.	Spare Description	Code
9	Water Condenser	N14617
10	Pressostatic Valve	N20149



SM 3300

EVAPORATOR



Ref.	Spare Description	Code
1	Gearmotor Ass	NC23412
2	Key 6x6x40	N20350
3	Pinion with Shaft for Gearmotor	NC20344
4	Cylinder Locking Ring Nut	N20365
5	Ring Gear	N20363
6	Scraper	N20873
7	M10 Tie Rod (to Block Scraper)	N20874
8	Stainless Steel Upper Bearin	N20045
9	Silicone OR 4081 Ring	N20338
10	Rotating Basin	N10191
11	Ring Nut for Rotating Ring	N10194
12	Spacer	N10528
13	Fixed Basin	NC10599
14	Water Inlet Ring	N20851
15	Screw	N20872
16	Evaporator Chamber Shield	N10536
17	1 Way- Water Inlet Nipple	N10239
18	Discharges Manifold	N10580
19	Complete Rotating Ring	NC10193
20	Joint	N20367
21	Sprayer Ring	NC20882
22	Evaporator	NC11151
23	Ring Gear Cover	From s/n. 557506 NC10631

Parts for Water-Cooled Version Only

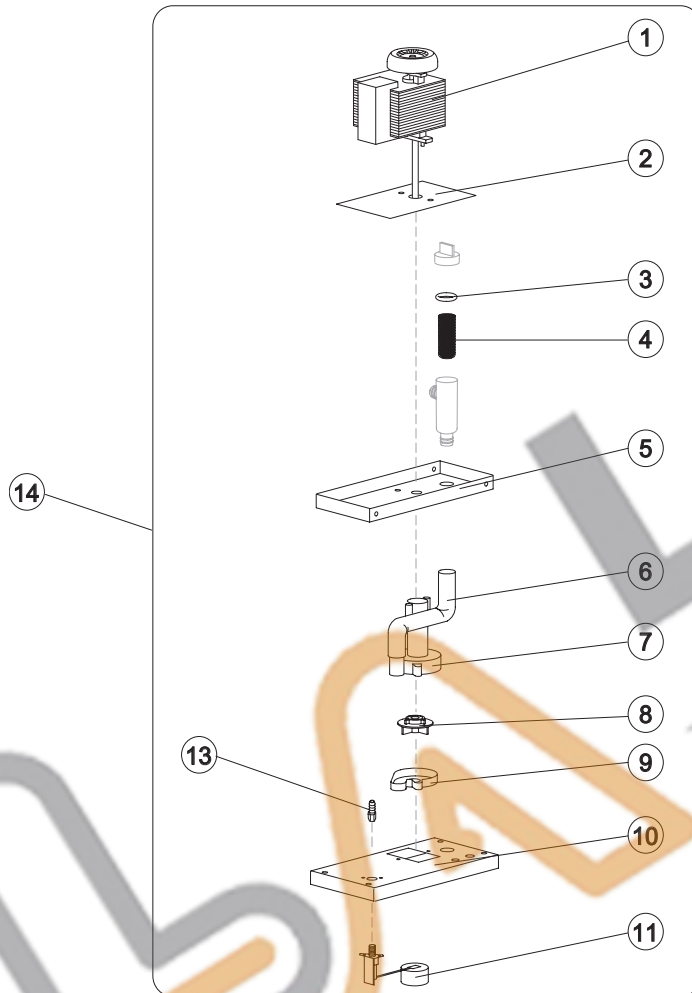
Ref.	Spare Description	Code
24	Connection with Plate	NC20462

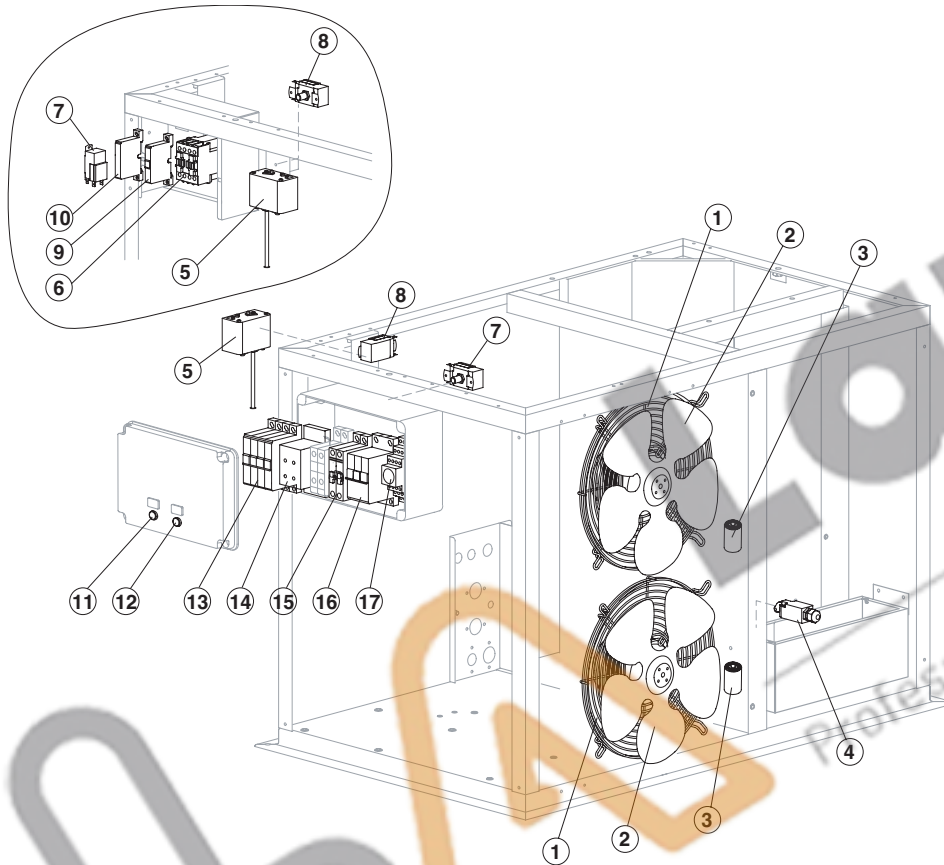


SM 3300

PUMP

Ref.	Spare Description	Code
1	Pump	N23600
2	Heat Dissipator	N22430
3	Pump Filter Gasket	N13080
4	Filtering Element	N20254
5	Pump Motor Support	N10161
6	Pump-Filter Connection Pipe	N13084
7	Pump Body	N10065
8	Pump Impeller	N10066
9	Diffusor	N10067
10	Water Pump Basin Cover	N22420
11*	Floating Valve	N10188
13	Connection	N20799
14*	Pump and Filter Assy	NC26732





Ref.	Spare Description	Code
1	Fan Motor Grid	N12053
2*	Fan Motor	N23468
3*	5 μ F Capacitor	N23469
4	Microswitch for Overflow Ice	N23746
5	Safety Pressure Switch (Low Pressure)	Till s/n. 715654 N23763
6*	Contactor	Till s/n. 715654 N23398
7*	Bin Thermostat	Till s/n. 715654 NR23005
8	Safety Pressure Switch (High Pressure)	Till s/n. 715654 N23342
9	Thermomagnetic circuit breaker	Till s/n. 715654 N23910
10	Electronic Delay Timer	From s/n. 516478 - Till s/n. 715654 N231033
11	Indicator Lamp (green)	N231191
12	Indicator Lamp (red)	N231192
13	Thermo-magnetic Circuit Breaker	N231193
14	Voltage Control Relay	N23903
15	Contactor	N231194
16	Residual Current Circuit Breaker	N231187
17	Delayer	N231190