



SM 1750

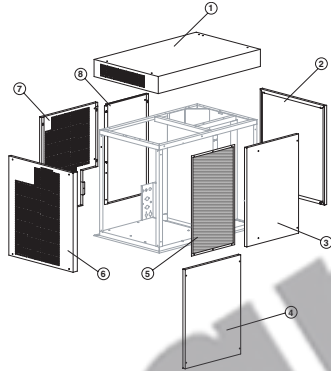
LIST OF THE EXPLODED VIEWS

2nd Version

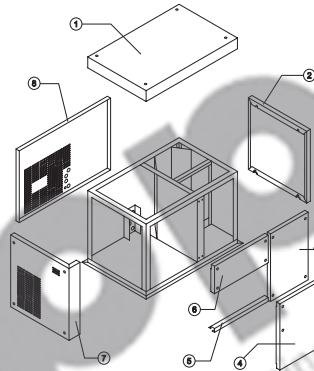
SM 1750A
SM 1750W



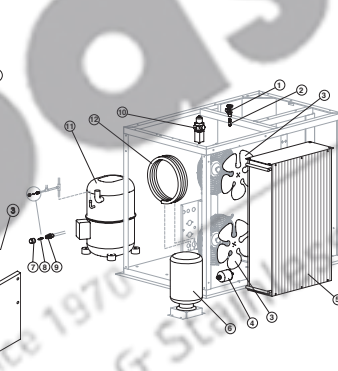
SHELL ASSY
(2nd VERSION)



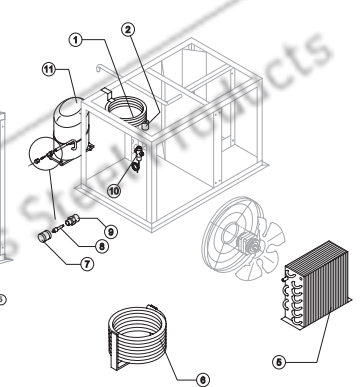
SHELL ASSY
(1st VERSION)



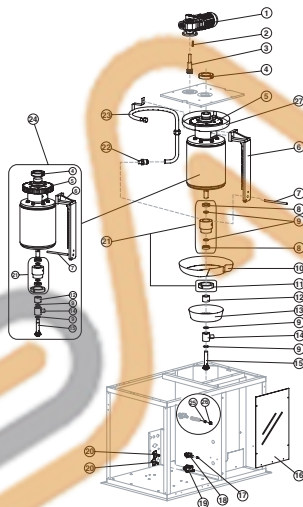
COOLING SYSTEM
(2nd VERSION)



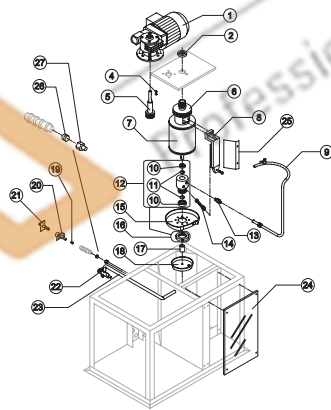
COOLING SYSTEM
(1st VERSION)



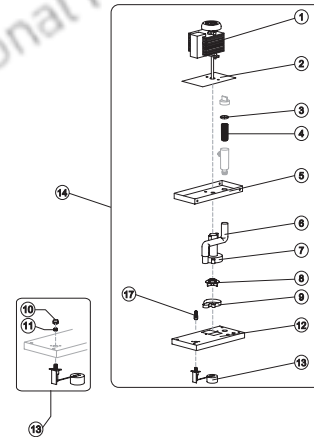
EVAPORATOR
(2nd VERSION)



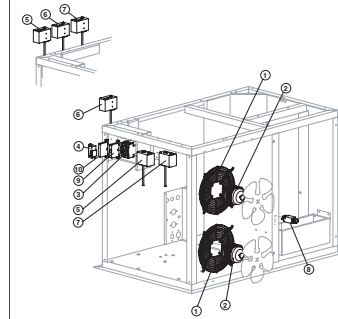
EVAPORATOR
(1st VERSION)



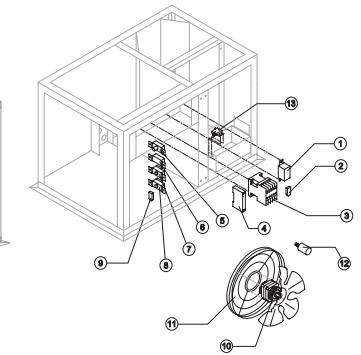
PUMP



ELECTRIC PARTS
(2nd VERSION)



ELECTRIC PARTS
(1st VERSION)



1st Version

SM 1750A/W
SM 1750W



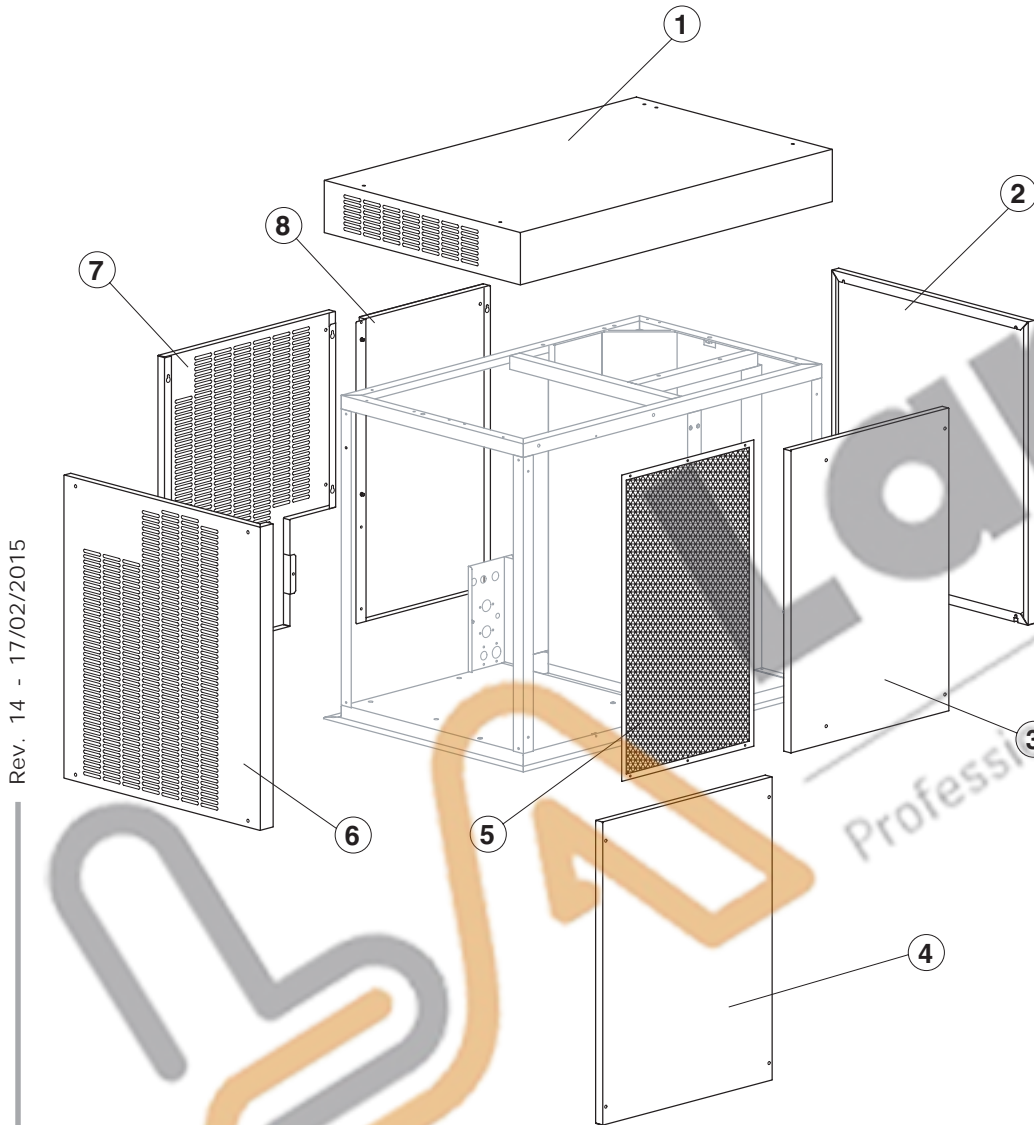
Rev. 14 - 17/02/2015



SM 1750

2nd Version SM1750A - SM1750W - SM1750AW

SHELL ASSY



Rev. 14 - 17/02/2015

Common Parts

Ref.	Spare Description	Code
1	Top Assembly	NC22449
2	Right Side Panel	N22445
3	Front Panel Assy (Evaporator Side)	N22448
6	Left Side Panel	N22444
7	Rear Panel (Group Side)	N22926
8	Rear Panel (Evaporator Side)	N22925

Parts for Air-Cooled and Mixed Cooled Version Only

Ref.	Spare Description	Code*
5*	Filter	N18183

Parts for Water-Cooled Version Only

Ref.	Spare Description	Code
4	Front Panel	N22927

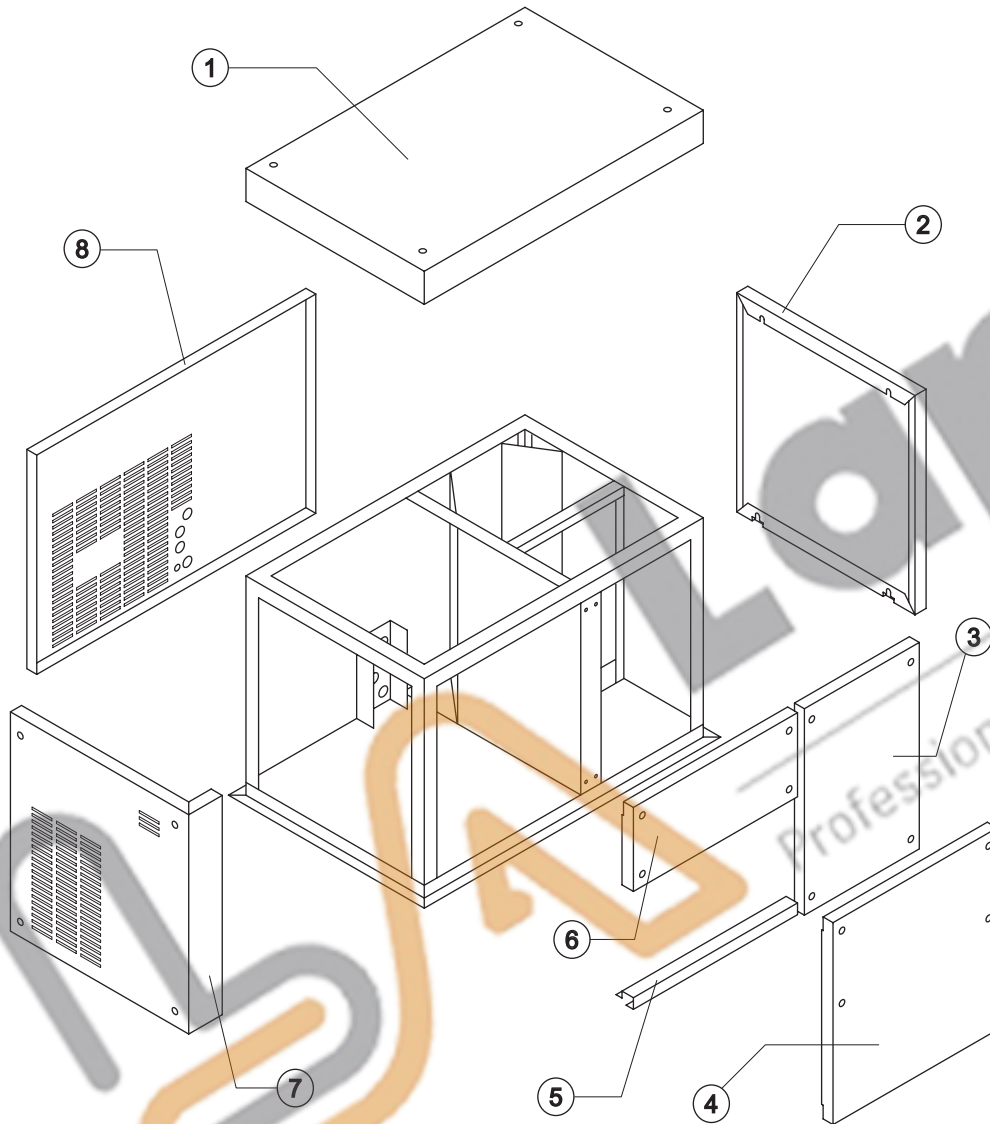


SM 1750

1st Version SM1750AW - SM1750W

SHELL ASSY

Rev. 14 - 17/02/2015



Common Parts

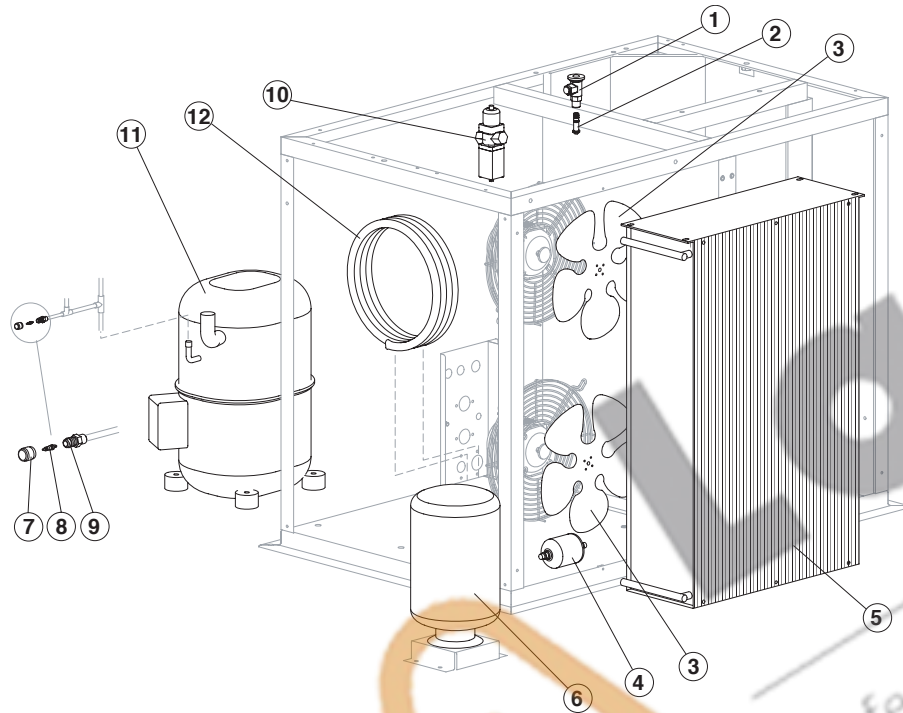
Ref.	Spare Description	Code
1	Top Assembly	NC22449
2	Right Side Panel	N22445
3	Front Panel Assy (Evaporator Side)	N22448
7	Left Side Panel	N22444
8	Rear Panel	N22450

Parts for Water-Cooled Version Only

Ref.	Spare Description	Code
4	Front Panel	N22599

Parts for Mixed Cooled Version Only

Ref.	Spare Description	Code
5	Frontal Template	N22446
6	Electrical Box Cover Panel	N22486



Common Parts

Ref.	Spare Description	Code
1	Expansion Valve	N20734
2	Orifice	Current Version N20944
2	Orifice	Till s/n. 470848 N20733
4*	Solid Core drier	N14255
7*	Vacuum-Charge Valve Plug	N14006
8*	Vacuum-Charge Valve Device	N14005
9	Vacuum-Charge Valve Body	N14007
11	Compressor	See Table

Parts for Air-Cooled Version Only

Ref.	Spare Description	Code
3	Sucking Fan	N20407
5	Air Condenser	N20787

Parts for Water-Cooled Version Only

Ref.	Spare Description	Code
6	Water Condenser	N14496
10	Pressostatic Valve	N20149

Parts for Mixed Cooled Version Only

Ref.	Spare Description	Code
3	Sucking Fan	N20407
5	Air Condenser	N20787
12	Water Condenser	N14034

Ref. 11- Compressor

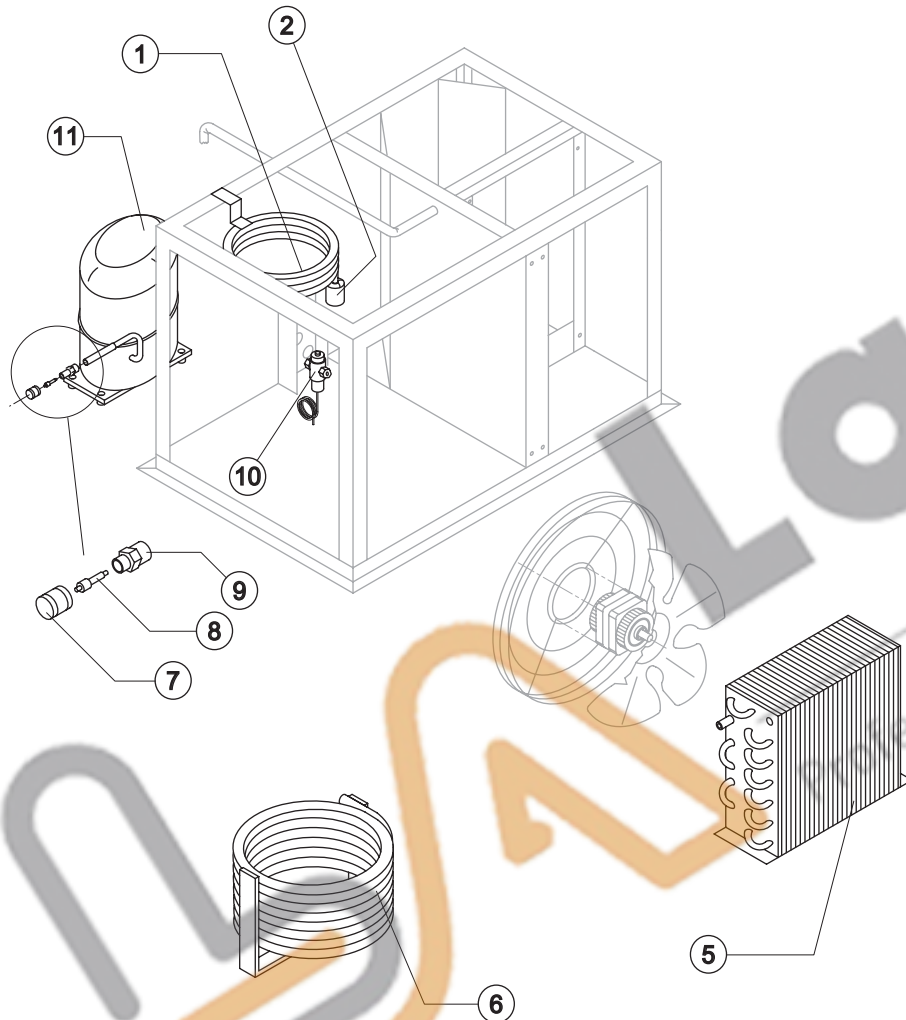
Voltage	Current version	Old version
T14	N231125	till s/n. 714356 code N23517
T15	N231120	till s/n. 711193 code N23518
T16	N231125	till s/n. 714356 code N23517
T17	N231120	till s/n. 711193 code N23518



SM 1750

1st Version SM1750A/W - SM1750W

COOLING SYSTEM



Common Parts

Ref.	Spare Description	Code
2	Solid Core Drier	N14255
7	Vacuum-Charge Valve Plug	N14006
8	Vacuum-Charge Valve Device	N14005
9	Vacuum-Charge Valve Body	N14007
10	Pressostatic Valve	N20149
11	Compressor	Vedi Tabella -

Parts for Water-Cooled Version Only

Ref.	Spare Description	Code
6	Water Condenser	N14285

Parts for Mixed Cooled Version Only

Ref.	Spare Description	Code
1	Water Condenser	N14034
5	Air Condenser	N20396

Ref. 11- Compressor

Voltage	Code
230V 3 50 Hz	N23517
400V 3N 50 Hz	N23648
220-230V 3 60 Hz	N23517
440-460V 3N 60 Hz	N23648

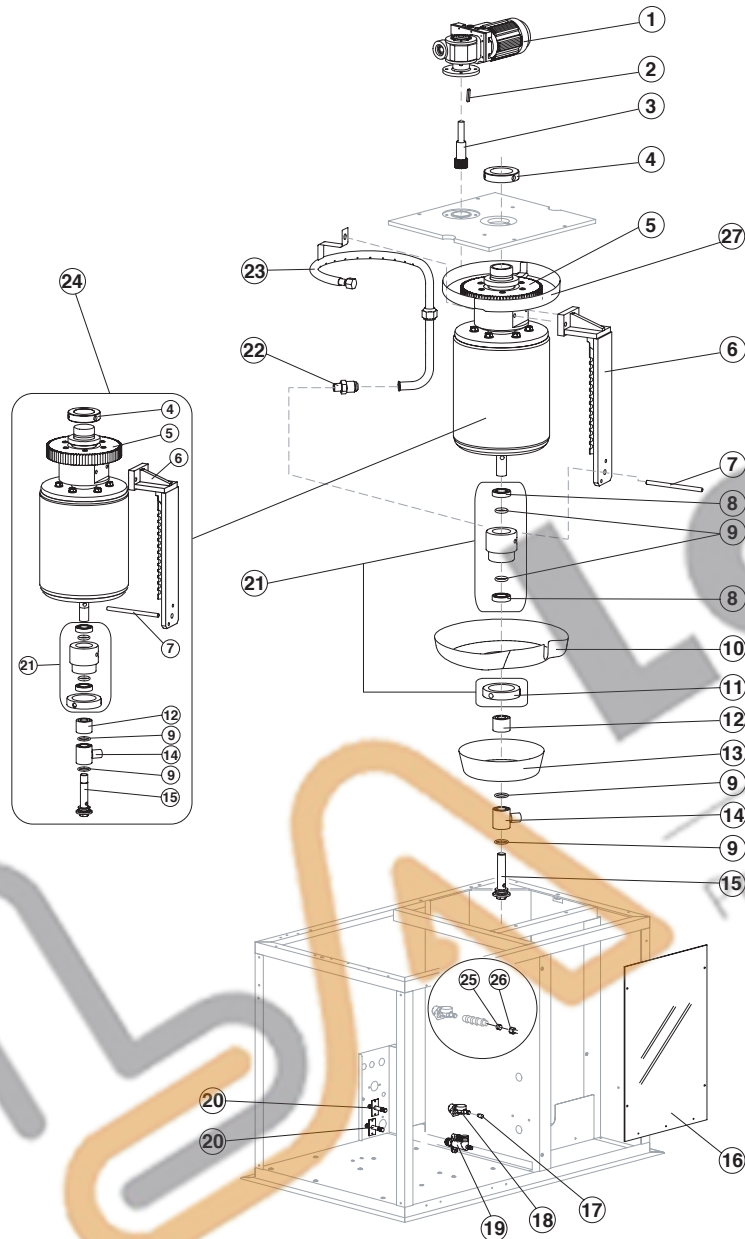
Rev. 14 - 17/02/2015



SM 1750

2nd Version SM1750A - SM1750W - SM1750AW

EVAPORATOR



Common Parts

Ref.	Spare Description	Code
1	Gearmotor Assy	NC23412
2	Key 6x6x40	N20350
3	Pinion with Shaft for Gearmotor	NC20344
4	Cylinder Locking Ring Nut	N20365
5	Ring Gear	N20363
6	Scraper	N20358
7	M10 Tie Rod (to Block Scraper)	N20369
8	Stainless Steel Upper Bearing	N20045
9	Silicone OR 4081 Ring	N20338
10	Rotating Basin	N10191
11	Ring Nut for Rotating Ring	N10194
12	Spacer	Current Version N10528
12	Spacer	Till s/n. 387018 N20366
13	Fixed Basin	NC10599
14	Water Inlet Ring	N20851
15	Screw	N20872
16	Evaporator Chamber Shield	Current Version N10531
16	Evaporator Chamber Shield	Till s/n. 387018 N10196
18	1 Way- Water Inlet Nipple	N10239
19	Discharges Manifold	N10580
21	Complete Rotating Ring	NC10193
22	Joint	N20367
23	Sprayer Ring	NC20357
24	Evaporator	Current Version NC20879
24	Evaporator	Till s/n. 387018 NKITNEVSM1750
25	Bush	Till s/n. 260296 N20405
26	Nut	Till s/n. 260296 N20404
27	Ring Gear Cover	From s/n. 556448 NC10631

Parts for Water-Cooled version Only

Ref.	Spare Description	Code
20	Connection with Plate	NC20462

Parts for Mixed Cooled version Only

Ref.	Spare Description	Code
17	Lt. 2,0 Flow Control for Water Inlet Connector	N10077
20	Connection with Plate	NC20462

Rev. 14 - 17/02/2015



SM 1750

1st Version SM1750A/W - SM1750W

EVAPORATOR

Common Parts

Ref.	Spare Description	Code
1	Motor with Reduction Gear Assy	See Table
2	Cylinder Locking Ring Nut	N20365
4	Key 6x6x40	N20350
5	Pinion with Shaft for Gearmotor	NC20344
6	Ring Gear	N20363
7	Evaporator	NKITNEVSM1750
8	Scraper	N20358
9	Sprayer Ring	NC20357
10	Stainless Steel Bearing	N20045
11	Silicone OR 4081 Ring	N20338
12	Complete Rotating Ring	NC10193
13	Joint	N20367
14	M10 Tie Rod (to Block Scraper)	N20369
15	Rotating Basin	N10191
16	Ring Nut for Rotating Ring	N10194
17	Spacer	N20366
18	Fixed Basin	NC10192
20	1 Way- Water Inlet Nipple	N10239
23	Overflow Pipe	N13088
24	Evaporator Chamber Shield	N10196
25	Baffle Plate	N10420
26	Bush	N20405
27	Nut	N20404

Parts for Water-Cooled Version Only

Ref.	Spare Description	Code
21	Connection with Plate	NC20462
22	Discharges Manifold	N10579

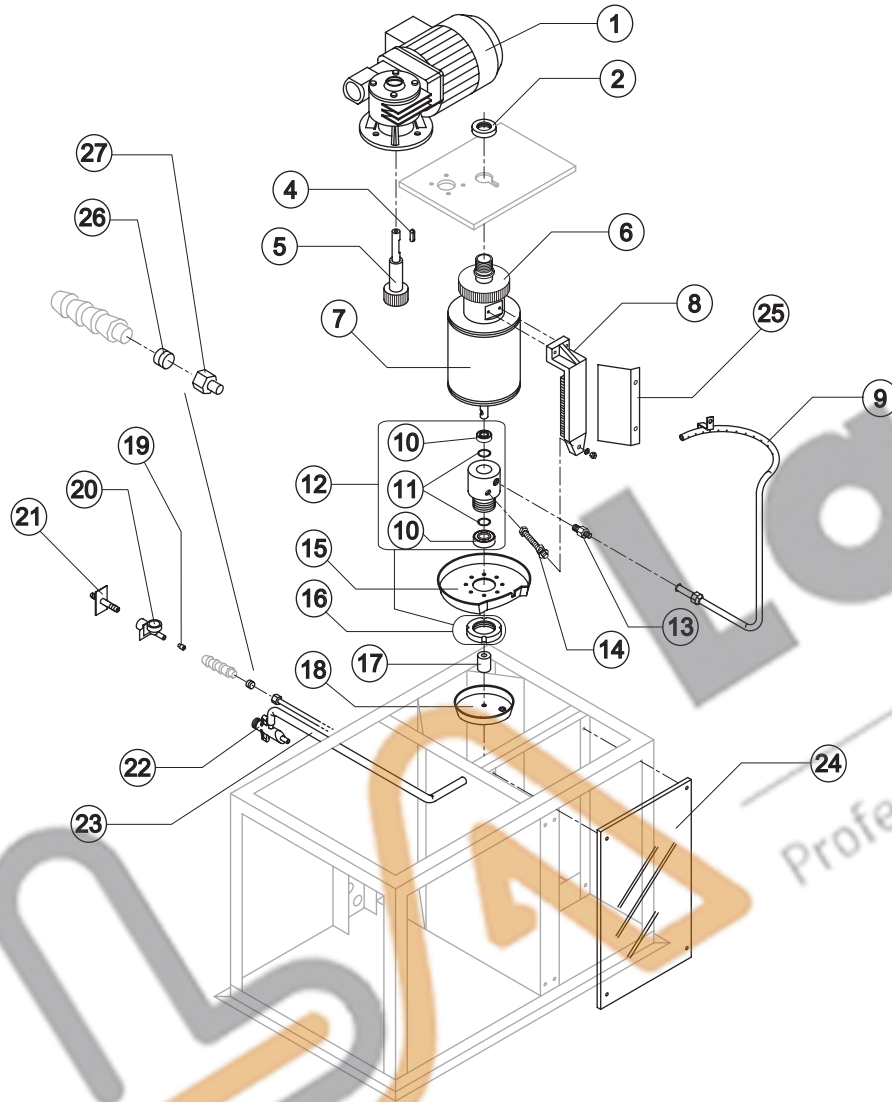
Parts for Mixed Cooled Version Only

Ref.	Spare Description	Code
19	Lt. 2,0 Flow Control for Water Inlet Connector	N10077
22	Discharges Manifold	NC10053

Ref. 1 - Gearmotor Assy

Ref. 1 - Gearmotor Assy	Voltage	Code
	230V 3 50 Hz e 400V 3N 50 Hz	NC23412
	220-230V 3 60 Hz e 440-460V 3N 60 Hz	NC23389

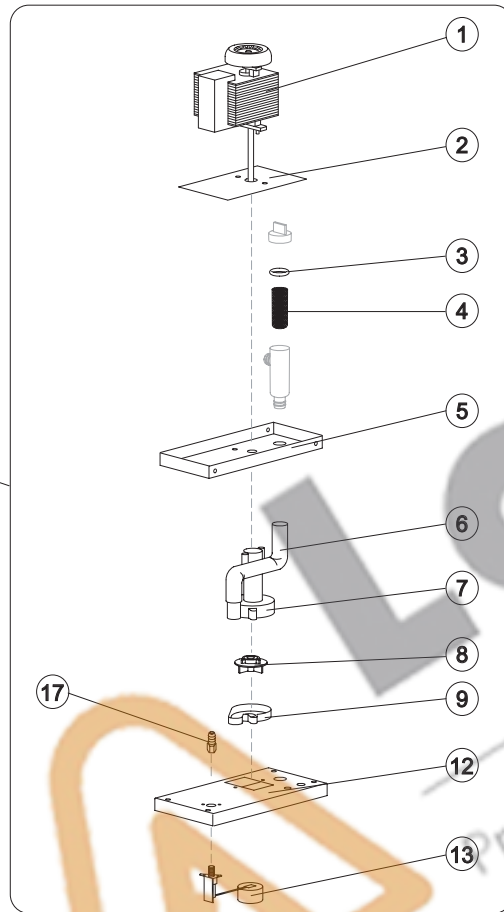
Rev. 14 - 17/02/2015





SM 1750

PUMP



Common Parts

Ref.	Spare Description	Code
1	Pump	See Table
2	Heat Dissipator	N22430
3	Pump Filter Gasket	N13080
4	Filtering Element	N20254
5	Pump Motor Support	N10161
6	Pump-Filter Connection Pipe	N13084
7	Pump Body	N10065
8	Pump Impeller	N10138
9	Diffusor	N10067
10	Nut	Till s/n. 260296
11	Bush	Till s/n. 260296
12	Water Pump Basin Cover	N22420
13*	Floating Valve	Current Version
13	Floating Valve Assy	Till s/n. 260296
14*	Pump and Filter Assy	See Table
17	Connection	N20799

Ref. 1 - Pump

Voltage	Code
230V 3 50 Hz	N23073
400V 3N 50 Hz	N23073
220-230V 3 60 Hz	N23187
440-460V 3 60 Hz	N23187

Ref. 14* - Pump and Filter Assy

Voltage	Code	Till s/n. 387018
230V 3 50 Hz	NC26738	NC26711
400V 3N 50 Hz	NC26738	NC26711
220-230V 3 60 Hz	NC26739	NC26712
440-460V 3 60 Hz	NC26739	NC26712



Ref. 14 - For ice-makers with s/n. before 260297 ask also the Nut (ref. 10) and the Bush (ref. 11).

Rev. 14 - 17/02/2015

Till s/n. 260296

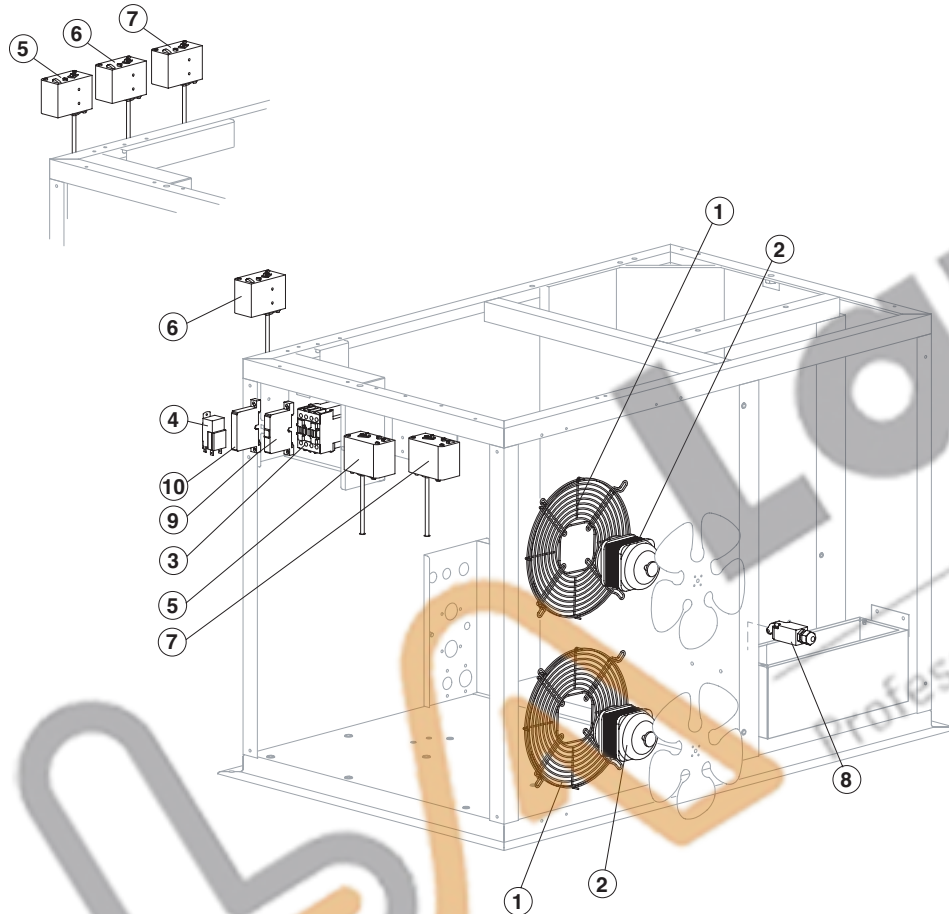


SM 1750

2nd Version SM1750A - SM1750W - SM1750AW

ELECTRIC PARTS

Pressure Switch Views till s/n. 301010



Common Parts

Ref.	Spare Description	Code
3*	Contactor	See Table
4*	Bin Thermostat	NR23005
5	Safety Pressure Switch (Low Pressure Circuit) Current Version	N23763
5	Safety Pressure Switch (Low Pressure Circuit) Till s/n. 237664	N23577
6	Safety Pressure Switch (High Pressure in Low Pressure Circuit) Till s/n. 716131	N23729
7	Safety Pressure Switch (High Pressure)	N23729
8	Microswitch for Overflow Ice	N23746
9	Thermomagnetic circuit breaker	N23910
10	Electronic Delay Timer	From s/n. 516888 N231033

Parts for Air-Cooled Version Only

Ref.	Spare Description	Code
1	Fan Motor Grid	N12056
2*	Fan Motor	N23121

Ref. 3 - Contactor

Voltage	Code
230V 3 50 Hz	N23147
400V 3N 50 Hz	N23147
220-230V 3 60 Hz	N23963
440-460V 3N 60 Hz	N23963

Rev. 14 - 17/02/2015



SM 1750

1st Version SM1750A/W - SM1750W

ELECTRIC PARTS

Common Parts

Ref.	Spare Description	Code
1	Relay	N23190
2	Anti Radio Interference Filter 230V 3 50 Hz e 400V 3N 50 Hz	NC23458
3	Contactur	See Table
4	Phases-Sequence Sensor	N23903
5	Safety Pressure Switch (Maximum Pressure)	N23342
7	Safety Thermostat	NR23447
8	Bin Thermostat	NR23421
13	Microswitch for Overflow Ice	N23373

Parts for Air/Water-Cooled Version Only

Ref.	Spare Description	Code
6	Condenser Pressure Switch	N23175
9	Anti Radio Interference Filter 230V 3 50 Hz e 400V 3N 50 Hz	NC23459
10	Fan Motor	See Table
11	Fan Motor Grig	See Table
12	Fan Motor Capacitor	N23469

Ref. 3 - Contactor

Voltage	Code
230V 3 50 Hz	N23147
400V 3N 50 Hz	N23147
220-230V 3 60 Hz	N23963
440-460V 3N 60 Hz	N23963

Ref. 10 - Fan Motor

Voltage	Code
230V 3 50 Hz	N23468
400V 3N 50 Hz	N23468
220-230V 3 60 Hz	N23467
440-460V 3N 60 Hz	N23467

Ref. 11 - Fan Motor Grid

Voltage	Code
230V 3 50 Hz	N12053
400V 3N 50 Hz	N12053
220-230V 3 60 Hz	N12052
440-460V 3N 60 Hz	N12052

Rev. 14 - 17/02/2015

