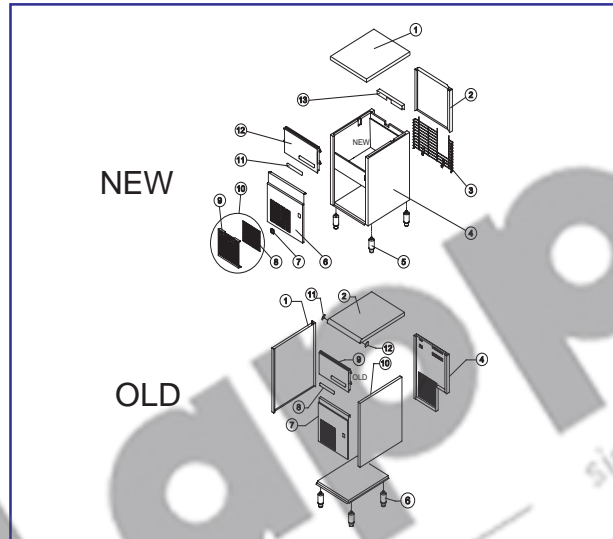


# SLT 170

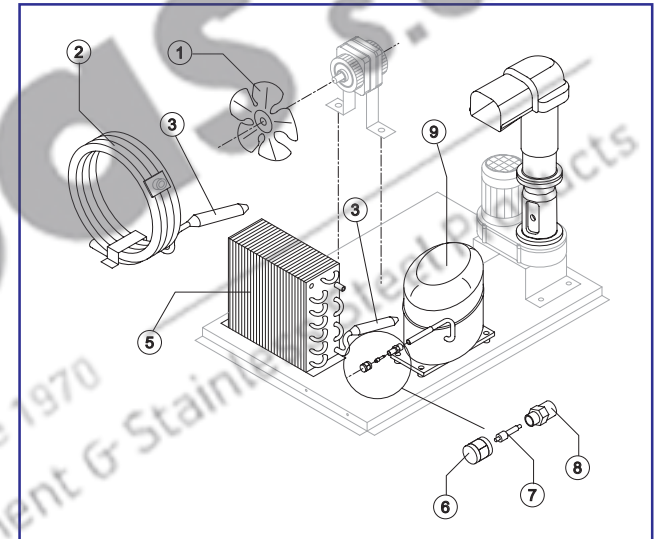
# LIST OF THE EXPLODED VIEWS



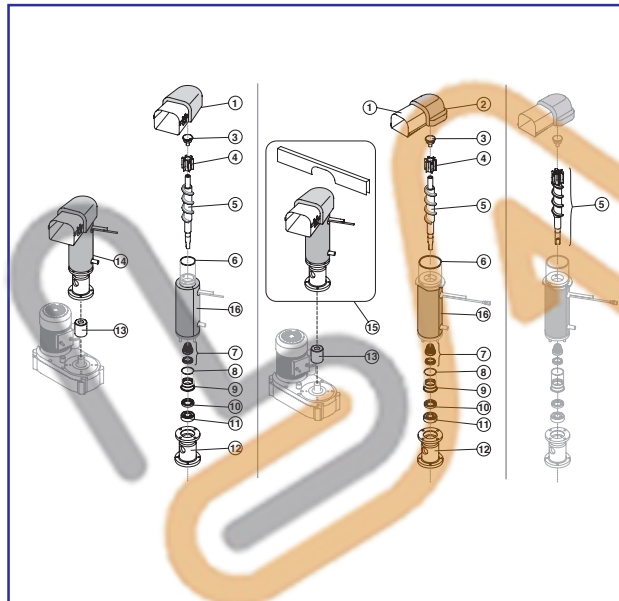
### SHELL ASSY



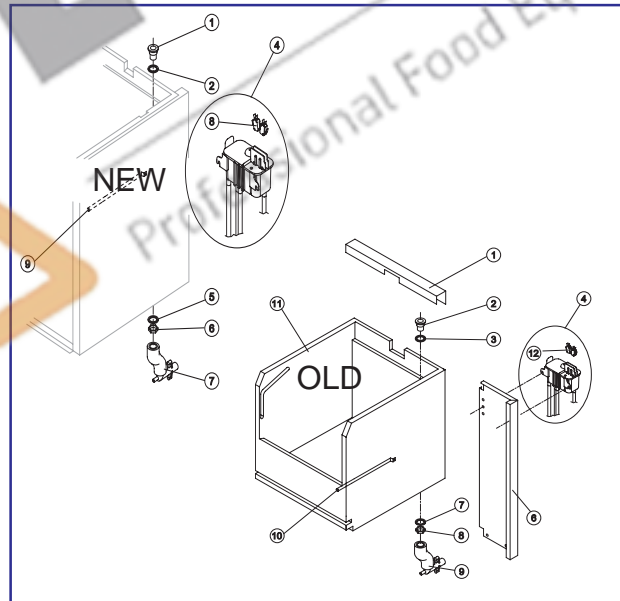
### COOLING SYSTEM



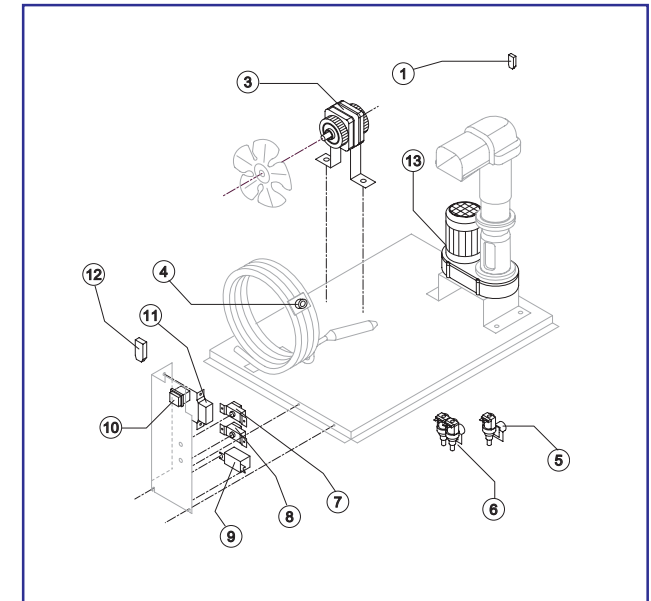
### EVAPORATOR



### HYDRAULIC CIRCUIT



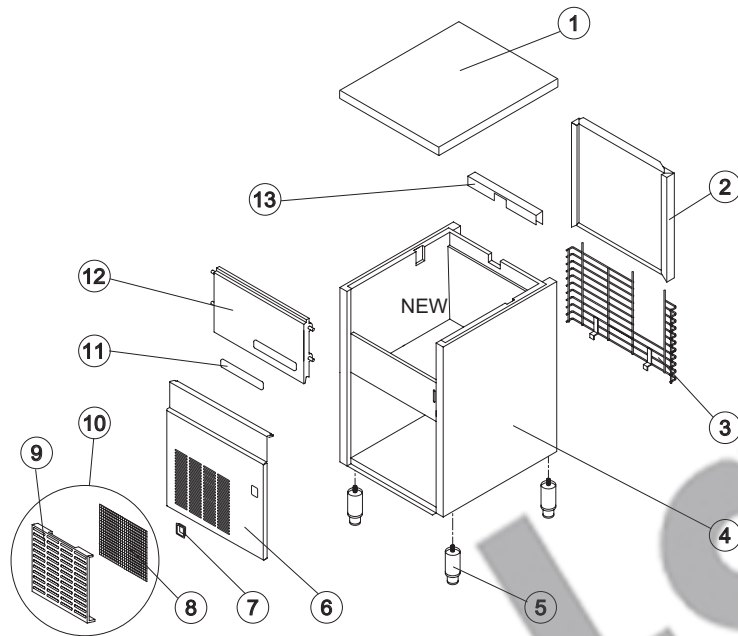
### ELECTRIC PARTS



# SLT 170

# SHELL ASSY

Rev. 6 - 20/01/2015

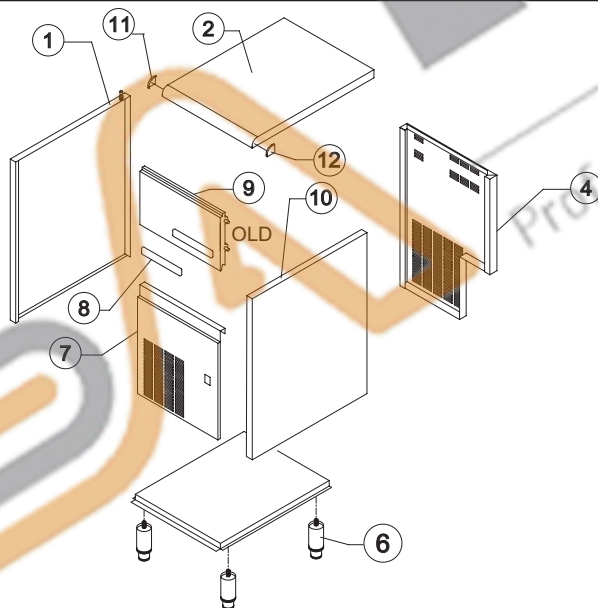


## New version

Ref.	Spare Description	Code	
1	Top Assembly	NC22150	
2	Grey Rear Panel	NC21215GR	
3	Rear Grid	ND12014	
4	Foamed Cabinet Assy	See Table	
5	Foot Adjustable	N20613	
6	Front Panel	NC221488	
7	On-Off switch Frame	N10696	
8	Filter	N18243	
9	Grid	N10697	
10	Grid Assembly	NC10697	
11	Resinate Logo	N241330	
12	Door Assembly	NC10360	
13	Cover for Ice Exhaust	Current Version Till s/n. 589140	N221385 N221103

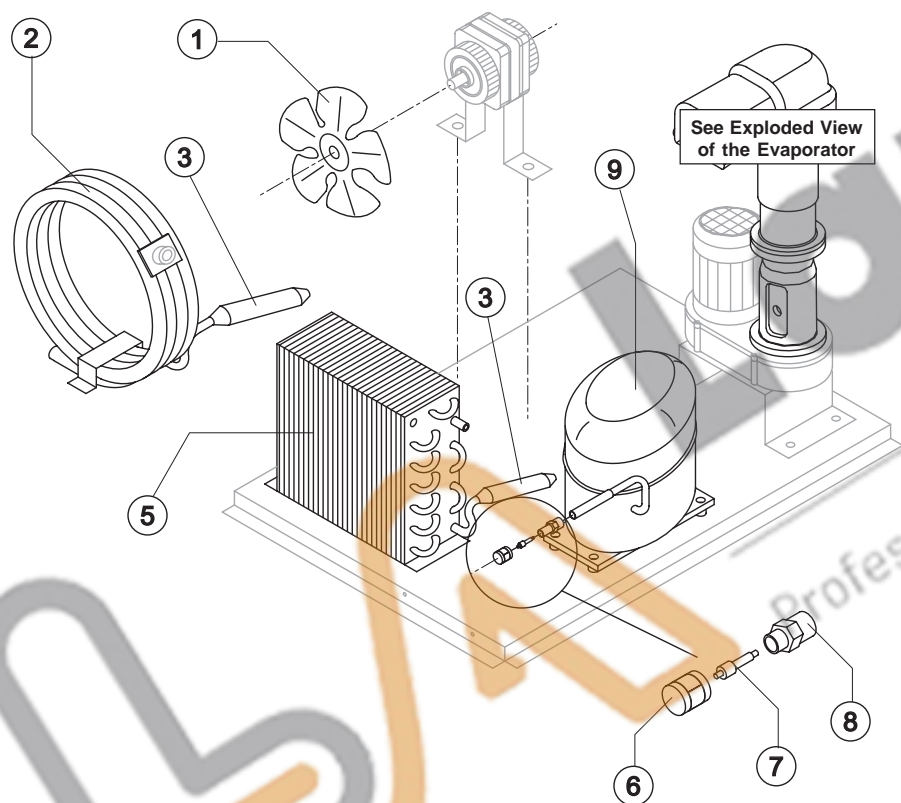
## Ref. 1 - Foamed cabinet Assy

Condensation	Code
Air	NC11153A
Water	NC11153W



## Old version

Ref.	Spare Description	Code
1	Left SidePanel Assembly	NC22753
2	Top	NC22768GR
4	Grey Rear Panel	N21258
6	Foot Adjustable	N20613
7	Front Panel	N22766
8	Resinate Logo	N241330
9	Door Assembly	NC10360
10	Right Side Panel Assembly	NC22752
11	Left TopProtection	N10323GR
12	Right Top Protection	N10324GR



### Common Parts

Ref.	Spare Description	Code
3*	Molecular Drier	N14009
6*	Vacuum-Charge Valve Plug	N14006
7*	Vacuum-Charge Valve Device	N14005
8	Vacuum-Charge Valve Body	N14007
9	Compressor	N23985

### Parts for Air-Cooled Version Only

Ref.	Spare Description	Code
1	Sucking Fan	N20096
5	Air Condenser	N20283

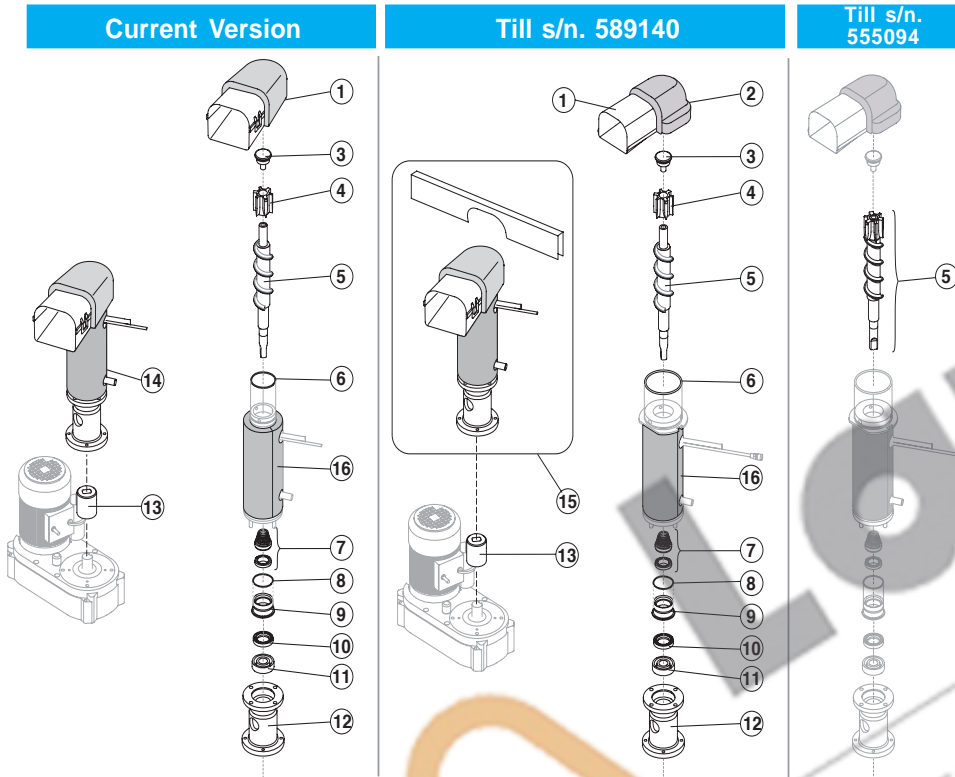
### Parts for Water-Cooled Version Only

Ref.	Spare Description	Code
1	Sucking Fan	N10213
2	Water Condenser	N14057

# SLT 170

# EVAPORATOR

Rev. 6 - 20/01/2015



Ref.	Spare Description (Current version)	Code
1	Ice Exhaust with insulati g cap	NC10648
3	Ice Breaker	N20915
4	Extruder with bearings assembly	NC201001
5	Auger	N201000
6	OR Gasket 4325	N20987
7	Ceramic Seal	N20937
8	OR Gasket 3162 mat. NBR70	N20429
9	Reduction Ring	N20785
10	Seal Ring	N20985
11	Bearing	N20917
12	Flange	N20916
13	Joint	ND20630
14	Evaporator Assy	NC11174
16	Insulating Cap	N18205

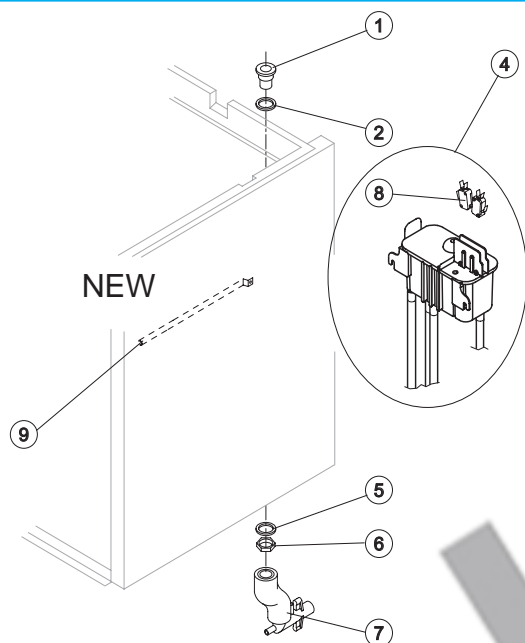
Ref.	Spare Description (till s/n. 589140)	Code	
1	Ice Exhaust	NC10556	
2	Insulating cap	N18208	
3	Ice Breaker	N20915	
4	Extruder with bearings assembly	From s/n. 555095.	NC201001
5	Auger	From s/n. 555095	N201000
5	Auger + Extruder with bearings assembly	Till s/n. 555094	NC20918
6	OR Gasket 4325	N20931	
7	Ceramic Seal	N20937	
8	OR Gasket 3162 NBR70	N20429	
9	Reduction Ring	N20785	
10	Seal Ring	From s/n. 515012	N20985
11	Bearing	N20917	
12	Flange	N20916	
13	Joint	ND20630	
14	Evaporator Assy	NKITNEVSLT170	



# SLT 170

# HYDRAULIC CIRCUIT

Rev. 6 - 20/01/2015

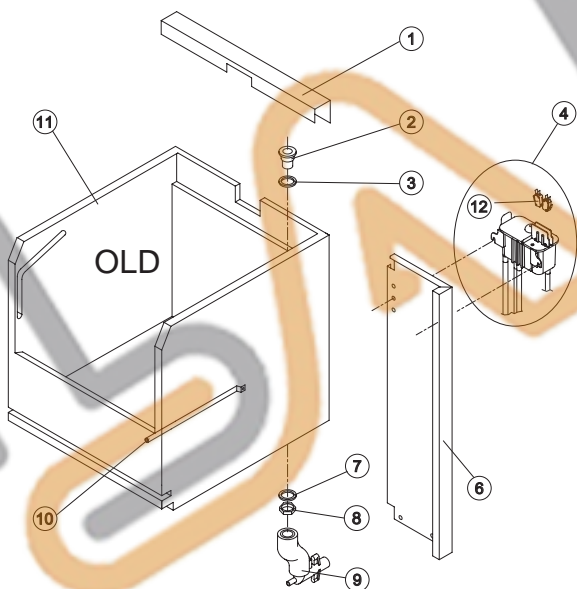


### Common Parts

Ref.	Spare Description	Code
1	Water Outlet Nipple	N10472
2	Silicone Gasket	N13006
4*	Double Switch Basin Assembly	NC10708
5	Semirigid Polyethylene Gasket	N13007
6	Bin Discharge Nut	N10096
7	Discharges Manifold	Vedi Tabella
8	Microswitch	N23055
9	Bulbe-holder Pipe	N20521

### Rif. 7 - Collettore scarichi

Condensation	Code
Air	NC10235
Water	NC10240

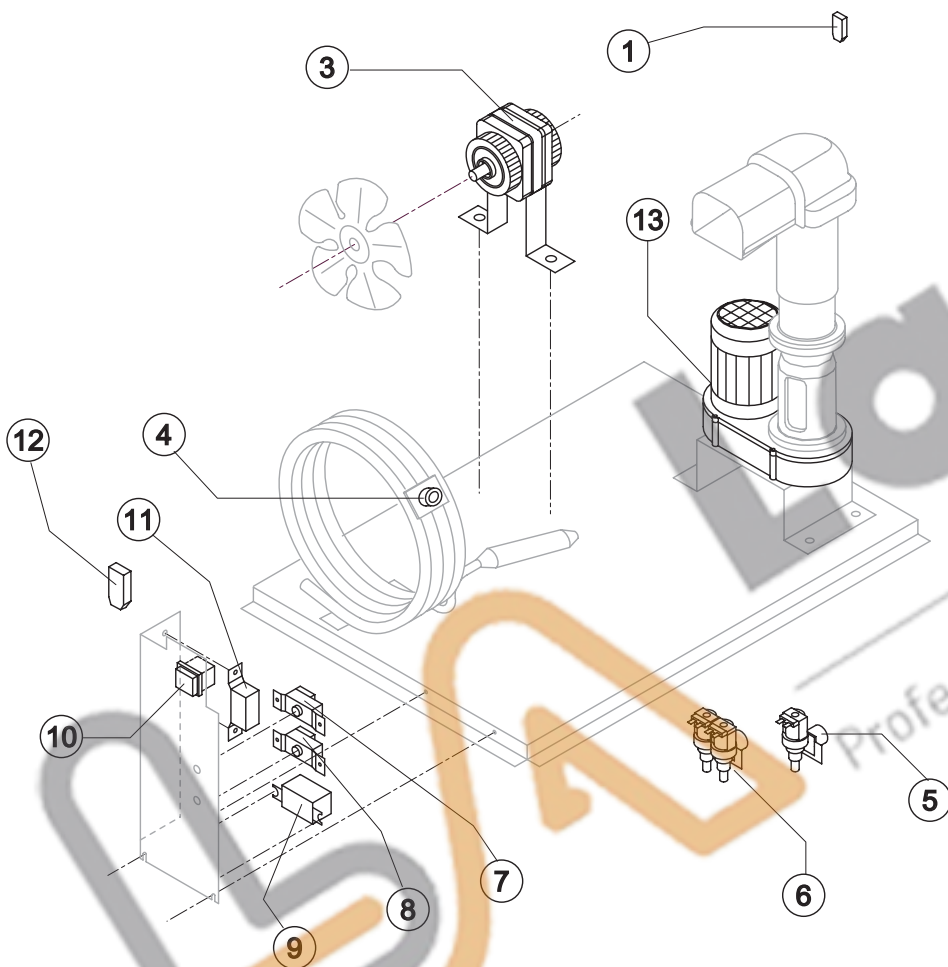


### Common Parts

Ref.	Spare Description	Code
1	Cover for Ice Exhaust	N221112
2	Water Outlet Nipple	N10472
3	Silicone Gasket	N13006
4*	Double Switch Basin Assembly	NC10680
6	Basin Support	N21246
7	Semirigid Polyethylene Gasket	N13007
8	Bin Discharge Nut	N10096
9	Discharges Manifold	Vedi Tabella
10	Bulbe-holder Pipe	N20521
11	Complete Basin Assembly	NC11130
12	Microswitch	N23055

### Rif. 9 - Collettore scarichi

Condensation	Code
Air	NC10366
Water	NC10367



### Common Parts

Ref.	Spare Description	Code
1	Anti Radio Interference Filter	NC23457
3*	Fan Motor	N23029
7*	Bin Thermostat	NR23005
8*	Evaporator Thermostat	Current Version NR23591
8*	Evaporator Thermostat	Till s/n. 587092 NKIT23591
9*	Relay	N23190
10*	Green Light Switch (On-Off)	N23327
11*	Condenser Pressure Switch	N23175
12	Anti Radio Interference Filter	NC23459
13	Gearmotor	Current Version N231060
13	Gearmotor	Till s/n. 594912 NR231060

### Parts for Air-Cooled Version Only

Ref.	Spare Description	Code
5*	1 Way - Water Inlet Valve	N23115

### Parts for Water-Cooled Version Only

Ref.	Spare Description	Code
4*	Safety Thermostat	NC23114
6*	2 Ways - Water Inlet Valve	N23116