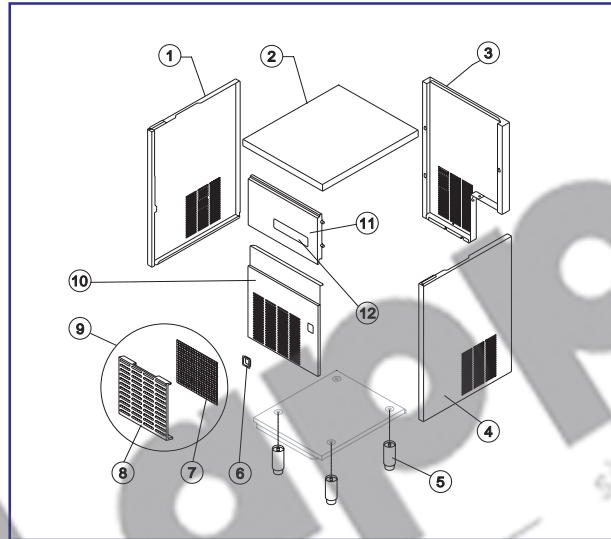


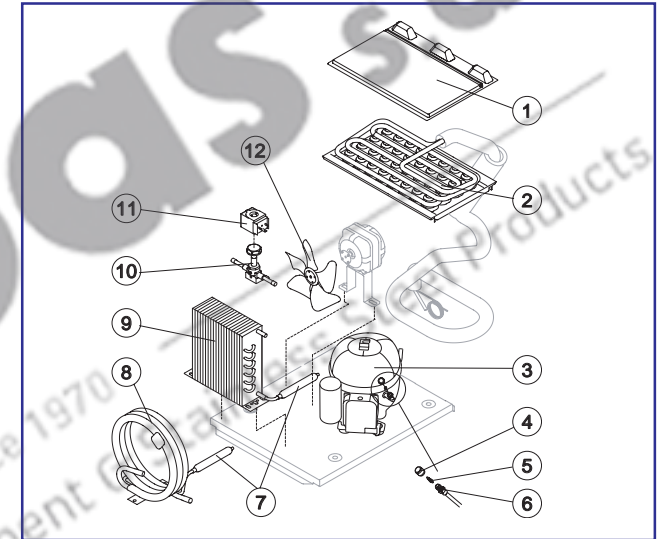
Rev. 0 -25/11/2013



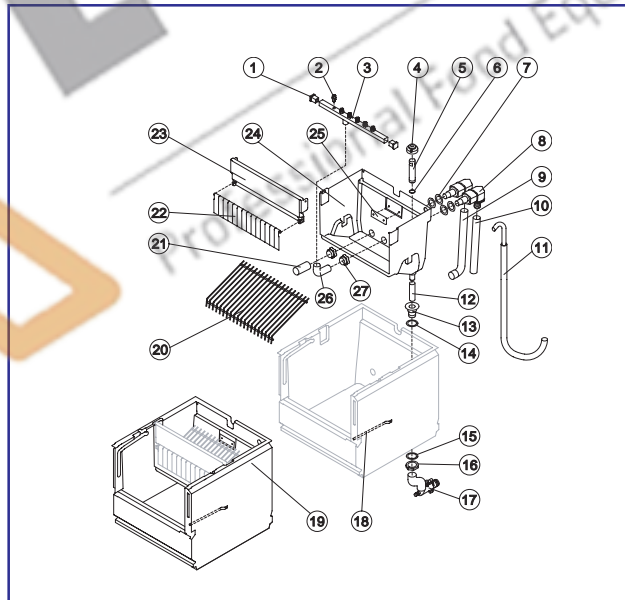
### SHELL ASSY



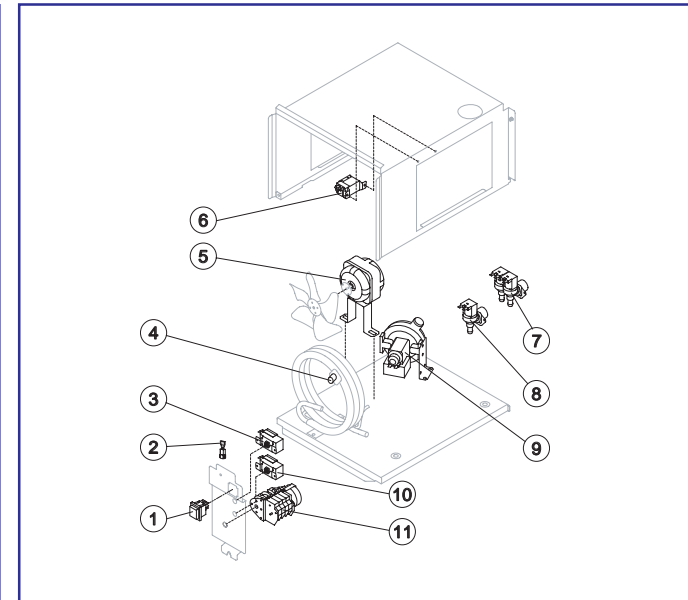
### COOLING SYSTEM

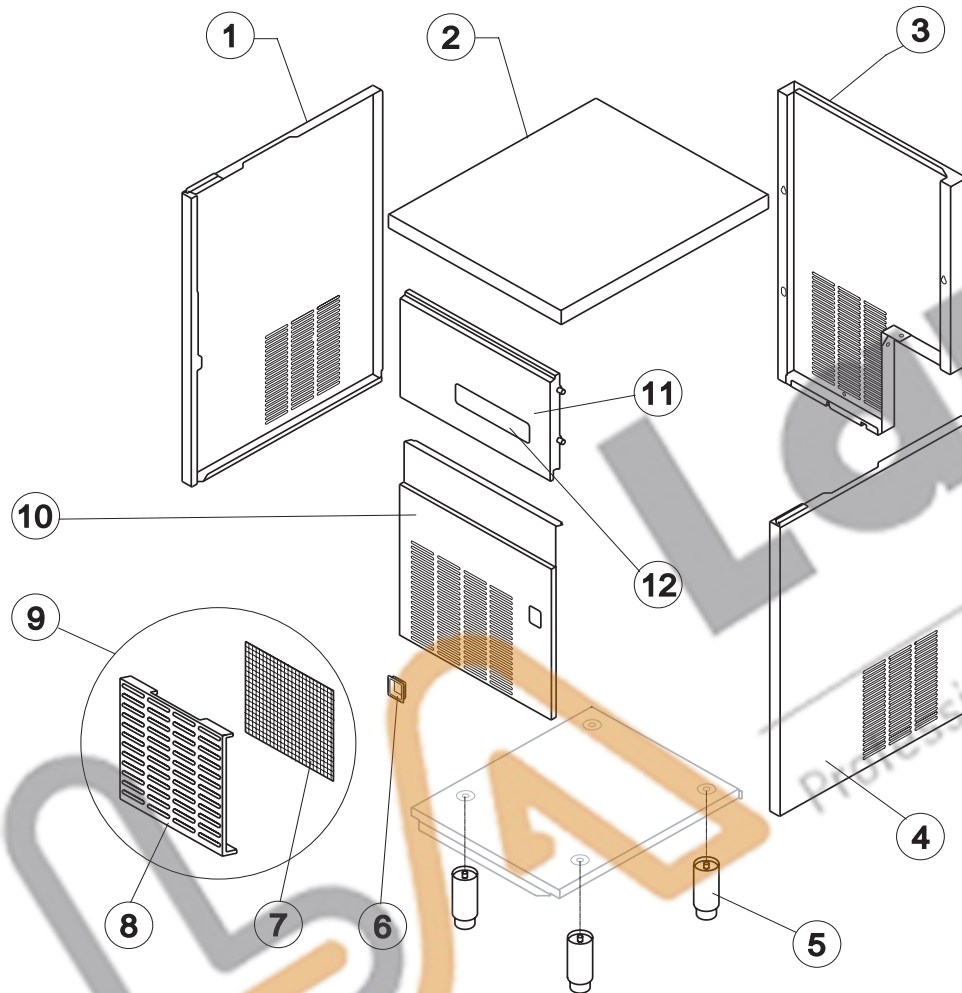


### HYDRAULIC CIRCUIT

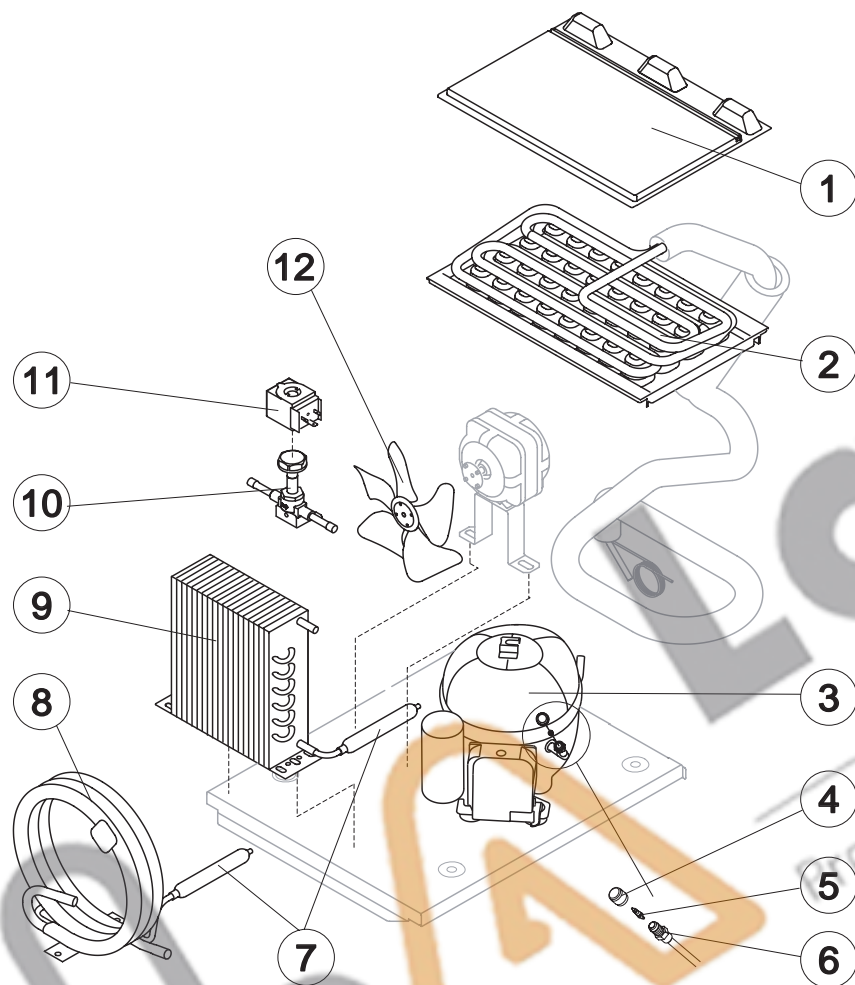


### ELECTRIC PARTS





Ref.	Spare Description	Code
1	Left Side Panel	N221417
2	Top Assembly	NC221428
3	Grey Rear Side Panel	NC21411
4	Right Side Panel	N221418
5	Foot	N20613
6	On-Off switch Frame	N10696
7	Filter	N18243
8	Grid	N10697
9	Grid Assembly	NC10697
10	Front Panel	NC221450
11	Door Assembly	NC10358
12	Resinated Logo	N241330



### Common Parts

Ref.	Spare Description	Code
1	Evaporator Cover Panel	N10513
2	Evaporator Assy	See Table
3	Compressore	See Table
4	Vacuum-Charge Valve Plug	N14006
5*	Vacuum-Charge Valve Device	N14005
6*	Vacuum-Charge Valve Body	N14007
7*	Molecular Drier	N14009
10*	Hot Gas Valve Body	N20410
11*	Hot Gas Valve Coil	N23091

### Parts for Air-Cooled Version Only

Ref.	Spare Description	Code
9	Air Condenser	N20019
12	Suction Fan	N20096

### Parts for Water-Cooled Version Only

Ref.	Spare Description	Code
8	Water Condenser	N14014
12	Suction Fan	N10213

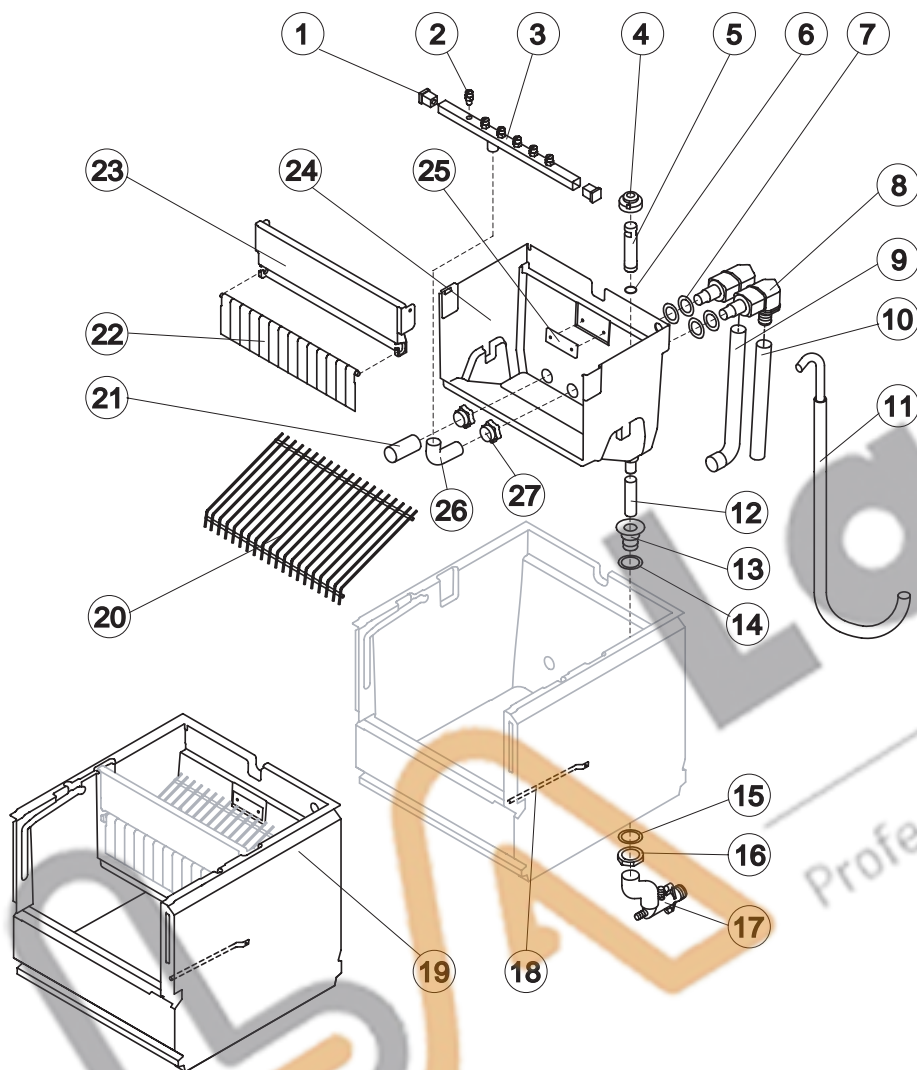
### Ref. 2 - Evaporator

Kind of Cube	Code
17 g. (Standard)	ND10046
32 g.	ND10089
14 g.	ND10417
41 g.	ND10465

### Ref. 3 - Compressor

Voltage	Code
220/240V 50 Hz	N23505A
220/230V 60 Hz	N23495A

Rev. 0 -25/11/2013



### Common Parts

Ref.	Spare Description	Code
1	Sprayers Bar Plug	N10012
2	Sprayer	ND20002
3*	Sprayers Bar Assembly	See Table
4*	Overflow Cap	N10305
5*	Overflow Pipe	N10133
6*	OR Gasket for Overflow Pipe	N20233
7	Gasket for Pump Suction/Delivery Pipes	N13143
8	Insulated Pump Suction/Delivery Fitting	NC10653
9	Insulated Pump Suction Pipe	NC13173
10	Insulated Pump Delivery Pipe	NC13175430
11*	Water Supply Pipe to the Evaporator	NC13185
12*	Overflow Pipe	N13108
13	Water Outlet Nipple	N10472
14	Silicone Gasket	N13006
15	Semirigid Polyethylene Gasket	N13007
16	Bin Discharge Nut	N10096
18	Bulbe-holder Pipe	N20522
19	Complete Basin Assembly	NC11187
20*	Ice Cubes Slide	See Table
21*	Pump Suction Filter	N20005
22	Rod with Flags	NC10534
23	Flags ABS Support	N10526
24	Inner Basin	N10253
25	Slide Keep Plate	N10009
26	Sprayers Feeding Pipe	N13005
27	Fittings Locking Ring	N10654

### Parts for Air-Cooled Version Only

Ref.	Spare Description	Code
17	Discharges Manifold	NC10006

### Parts for Water-Cooled Version Only

Ref.	Spare Description	Code
17	Discharges Manifold	NC26452

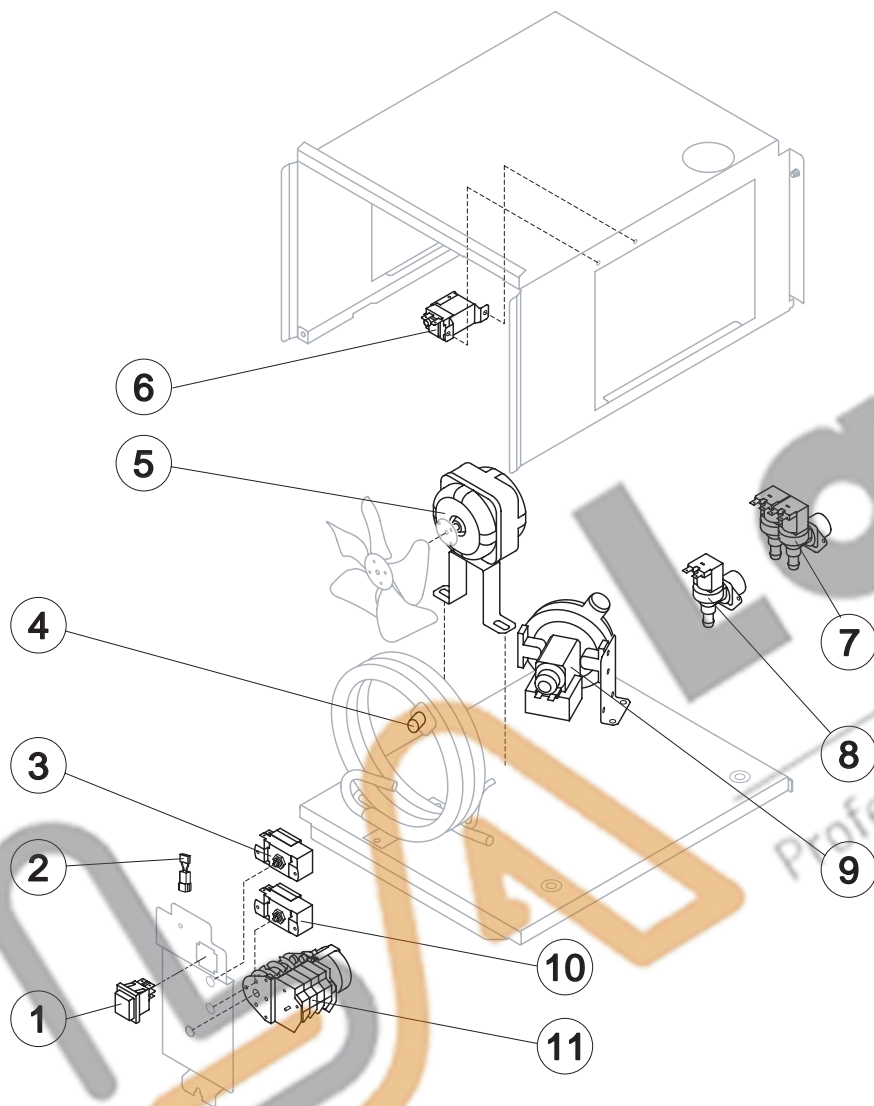
### Ref. 20\* - Ice Cubes Slide

Kind of Cube	Code
17 g. (Standard)	ND12008
32 g.	ND12030
14 g.	ND12038
41 g.	ND12030

### Ref. 3\* - Sprayers Bar Assembly

Kind of Cube	Code
17 g. (Standard)	NC201070
32 g.	NC201090
14 g.	NC201072
41 g.	NC201090





### Common Parts

Ref.	Spare Description	Code
1*	Green Light Switch (On-Off)	N23327
2	Anti Radio Interference Filter	Only 220V 50 Hz NC23458
3*	Bin Thermostat	NR23005
6*	Condenser Pressure Switch	N23175
9*	Pump Assembly	See Table
10*	Evaporator Thermostat	NR23591
11*	Timer	See Table

### Parts for Air-Cooled Version Only

Ref.	Spare Description	Code
5*	Fan Motor	N23067
8*	1 Way- Water Inlet Valve	N23001

### Parts for Water-Cooled Version Only

Ref.	Spare Description	Code
4*	Safety Thermostat	NC23114
5*	Fan Motor	N23029
7*	2 Ways- Water Inlet Valve	N23010

### Ref. 9\* - Pump Assembly

Voltage	Code
220/240V 50Hz	NC231016
220/230V 60Hz	NC231046

### Ref. 11\* - Timer

Voltage	Cube 17g	Cube 32g	Cube 14g
220/240V 50 Hz	N23222	N23248	N23247
220/230V 60 Hz	N231078	N231080	N231077