

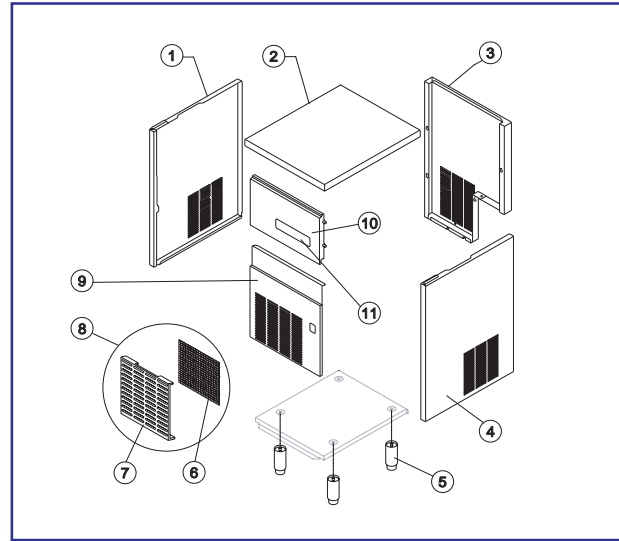
SL 70 R290

LIST OF THE EXPLODED VIEWS

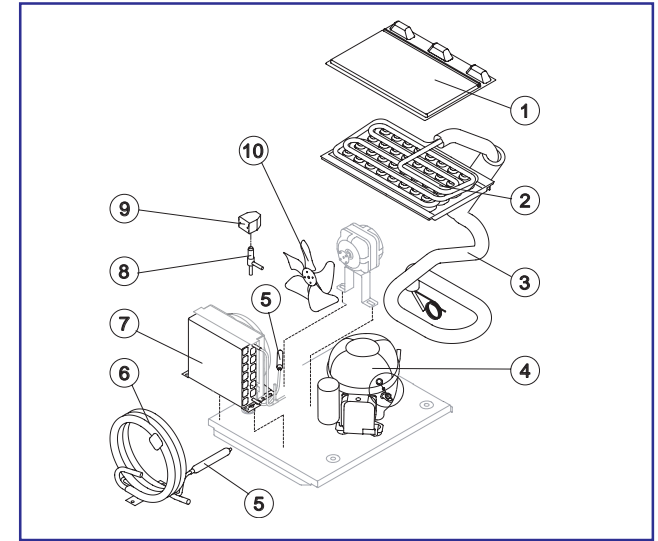
Rev. 00 - 26/05/2018



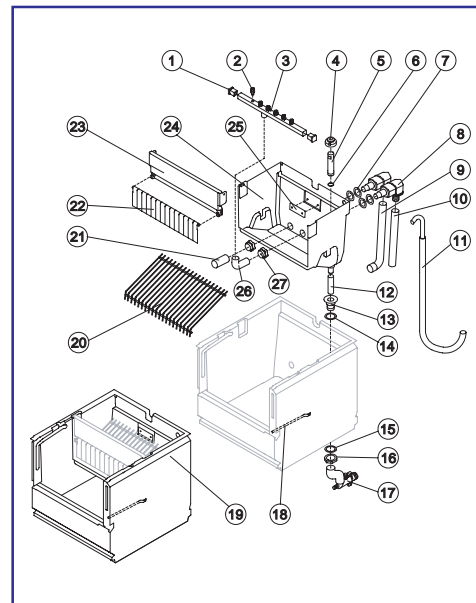
SHELL ASSY



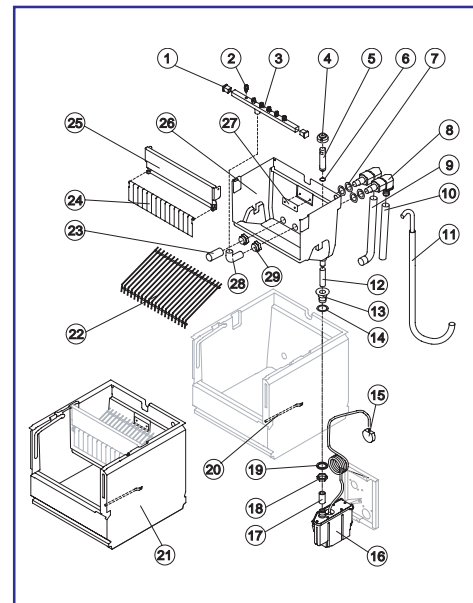
COOLING SYSTEM



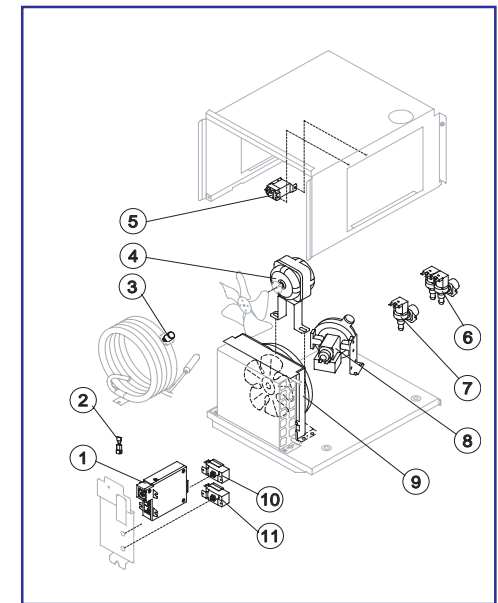
HYDRAULIC CIRCUIT SL70A/W

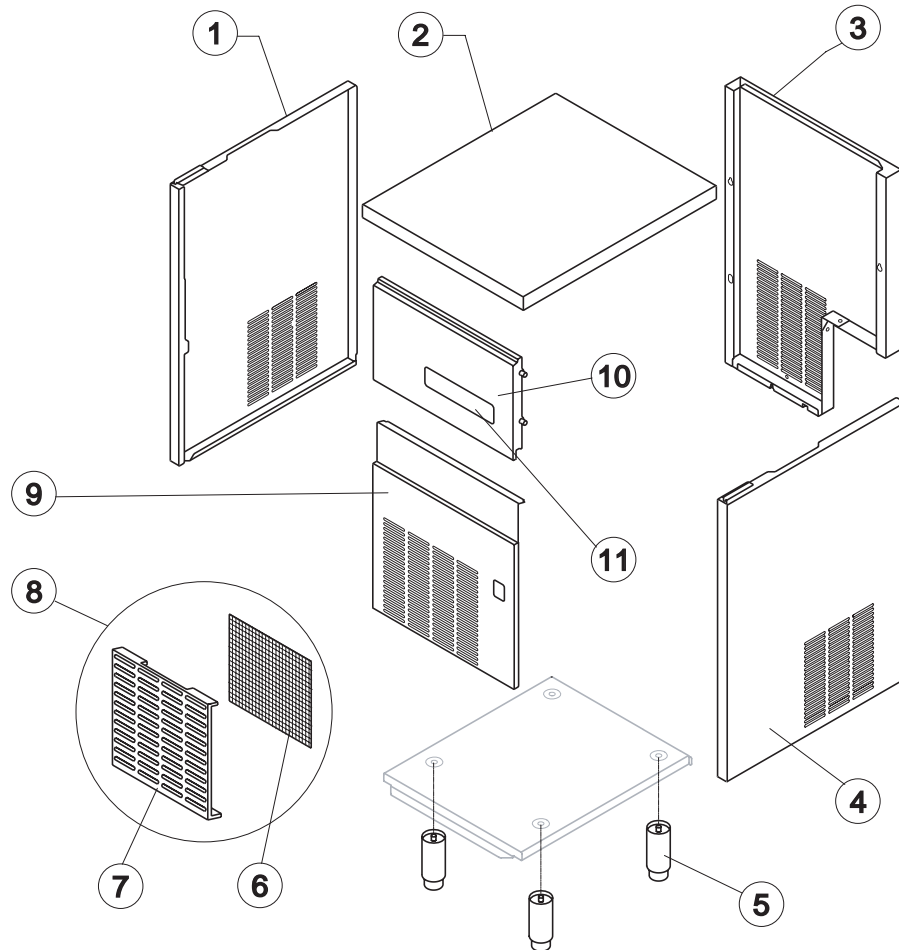


HYDRAULIC CIRCUIT SL70A DP

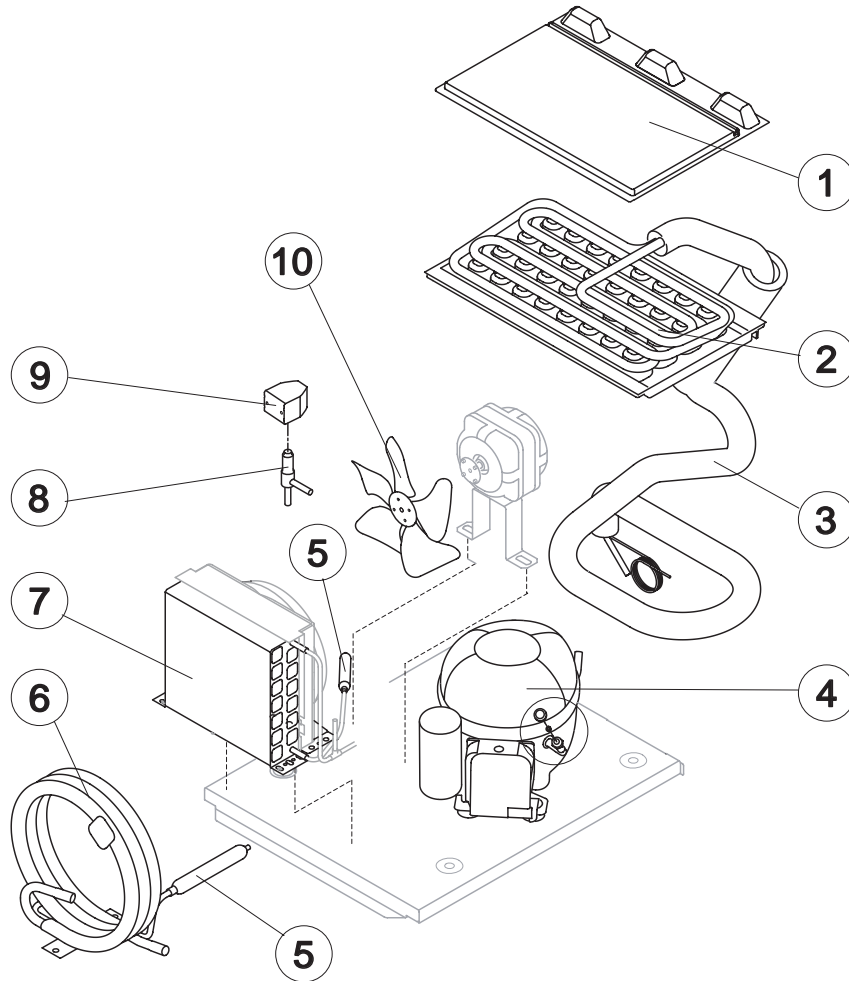


ELECTRIC PARTS





Ref.	Spare Description	Code
1	Left Side Panel	221415
2	Top Assembly	C221428
3	Grey Rear Side Panel	C21410
4	Right Side Panel	221416
5	Foot	10557
6	Filter	18243
7	Grid	10697
8	Grid Assembly	C10697
9	Front Panel	C221815
10	Door Assembly	C10358
11	Resinated Logo	241330



Common Parts

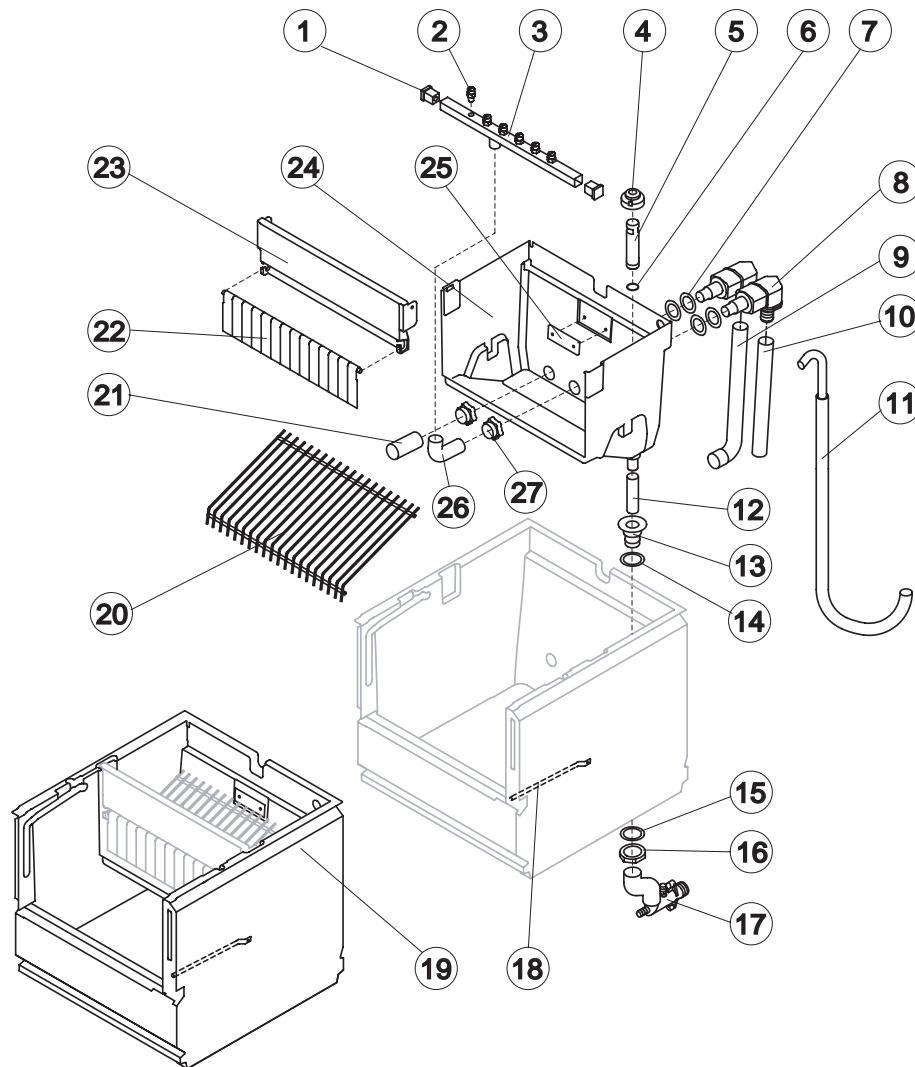
Ref.	Spare Description	Code
1	Evaporator Cover Panel	10513
2	Evaporator Assy	D10046
4	Compressore	231159
5*	Molecular Drier	14009
8*	Hot Gas Valve Body	201159
9*	Hot Gas Valve Coil	231294
3	Suction Line	for the spare parts code give us the s/n.

Parts for Air-Cooled Version Only

Ref.	Spare Description	Code
7	Air Condenser	201234

Parts for Water-Cooled Version Only

Ref.	Spare Description	Code
8	Water Condenser	14014
10	Suction Fan	10213



Common Parts

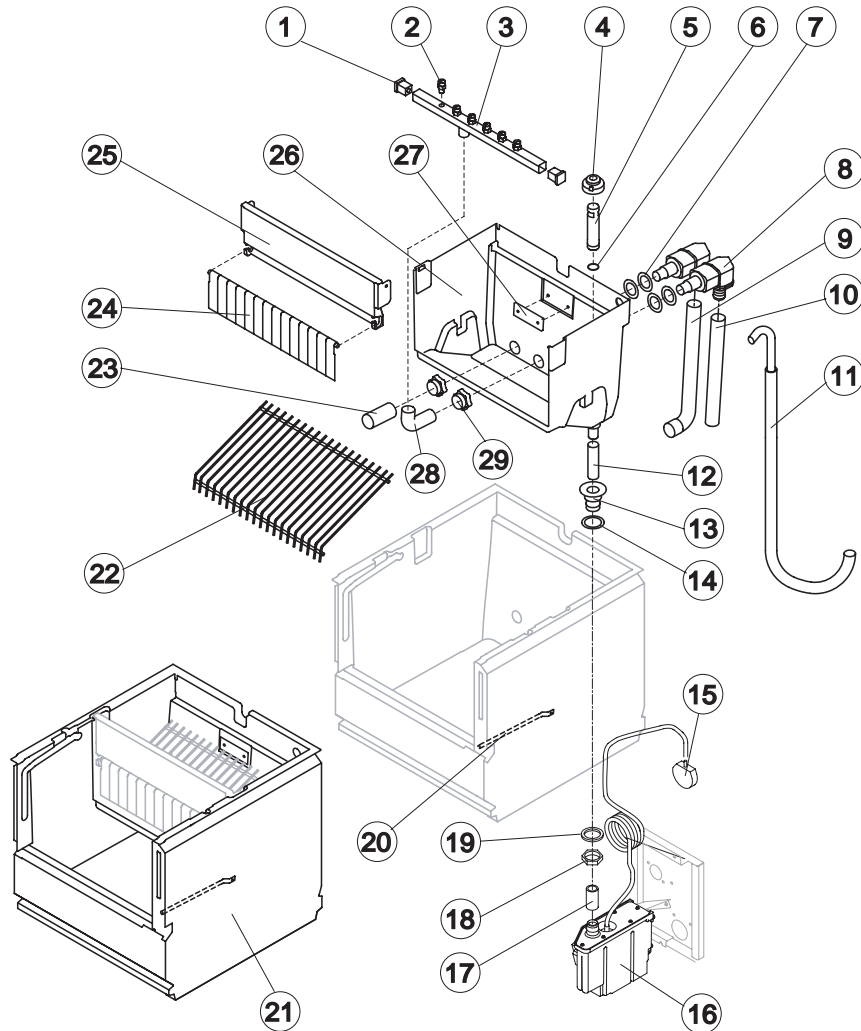
Ref.	Spare Description	Code
1	Sprayers Bar Plug	10012
2	Sprayer	D20002
3*	Sprayers Bar Assembly	C201070
4*	Overflow Cap	10305
5*	Overflow Pipe	10133
6*	OR Gasket for Overflow Pipe	20233
7	Gasket for Pump Suction/Delivery Pipes	13143
8	Insulated Pump Suction/Delivery Fitting	C10653
9	Insulated Pump Suction Pipe	C13172
10	Insulated Pump Delivery Pipe	C13175320
11*	Water Supply Pipe to the Evaporator	C13127
12*	Overflow Pipe	13107
13	Water Outlet Nipple	10472
14	Silicone Gasket	13006
15	Semirigid Polyethylene Gasket	13007
16	Bin Discharge Nut	10096
18	Bulbe-holder Pipe	20522
19	Complete Basin Assembly	C11186
20*	Ice Cubes Slide	D12008
21*	Pump Suction Filter	20005
22	Rod with Flags	C10534
23	Flags ABS Support	10526
24	Inner Basin	10253
25	Slide Keep Plate	10009
26	Sprayers Feeding Pipe	13005
27	Fittings Locking Ringa	10654

Parts for Air-Cooled Version Only

Ref.	Spare Description	Code
17	Discharges Manifold	C10006

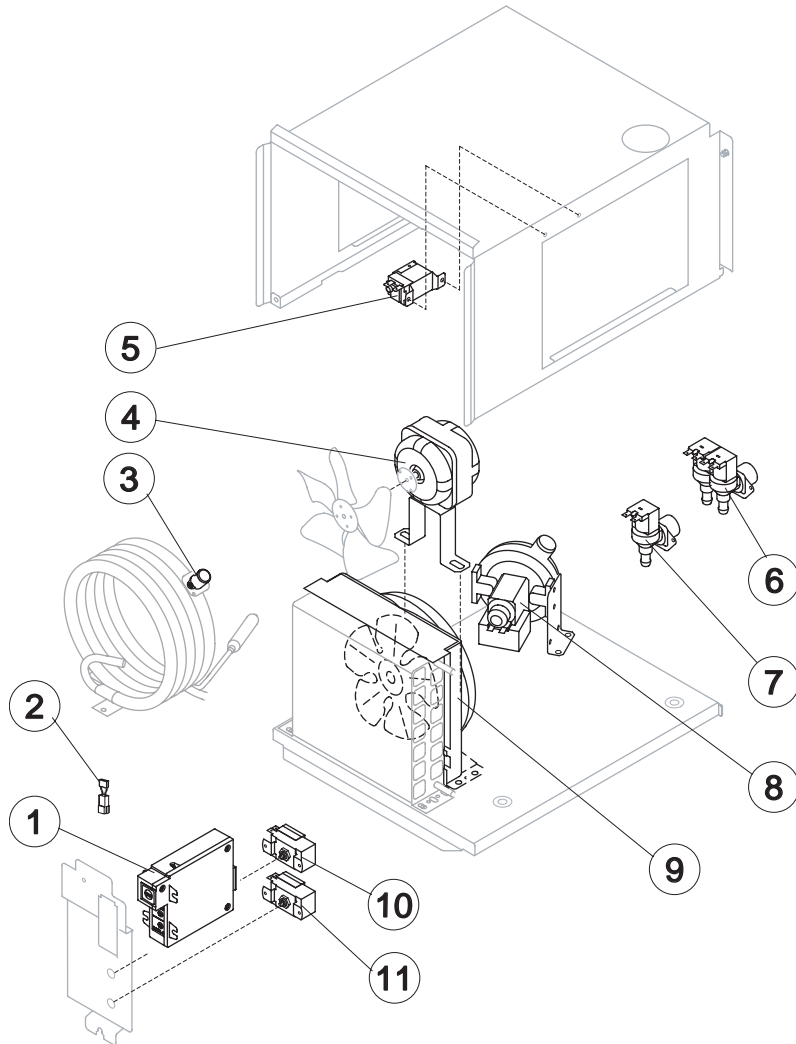
Parts for Water-Cooled Version Only

Ref.	Spare Description	Code
17	Discharges Manifold	C26452



Common Parts

Ref.	Spare Description	Code
1	Sprayers Bar Plug	10012
2	Sprayer	D20002
3*	Sprayers Bar Assembly	C201070
4*	Overflow Cap	10305
5*	Overflow Pipe	10133
6*	OR Gasket for Overflow Pipe	20233
7	Gasket for Pump Suction/Delivery Pipes	13143
8	Insulated Pump Suction/Delivery Fitting	C10653
9	Insulated Pump Suction Pipe	C13172
10	Insulated Pump Delivery Pipe	C13175320
11*	Water Supply Pipe to the Evaporator	C13127
12*	Overflow Pipe	13107
13	Water Outlet Nipple	10472
14	Silicone Gasket	13006
15	Drain Pump Pressure Switch	C231230
16	Drain Pump	C231225
17	Bin Discharge-Drain Pump Connection	C13175100
18	Bin Discharge Nut	10096
19	Semirigid Polyethylene Gasket	13007
20	Bulbe-holder Pipe	20522
21	Complete Basin Assembly	C11186
22*	Ice Cubes Slide	D12008
23*	Pump Suction Filter	20005
24	Rod with Flags	C10534
25	Flags ABS Support	10526
26	Inner Basin	10253
27	Slide Keep Plate	10009
28	Sprayers Feeding Pipe	13005
29	Fittings Locking Ringa	10654



Common Parts

Ref.	Spare Description	Code
1*	Electronic Timer / On-Off (AWS)	R231154
5*	Condenser Pressure Switch	23175
8*	Pump Assembly	C231016
10*	Bin Thermostat	R23005
11*	Evaporator Thermostat	R23591

Parts for Air-Cooled Version Only

Ref.	Spare Description	Code
2	Anti Radio Interference Filter	C23459
7*	1 Way- Water Inlet Valve	23115
9*	Fan Motor + grid + conveyor Assembly	231322

Parts for Water-Cooled Version Only

Ref.	Spare Description	Code
2	Anti Radio Interference Filter	C23457
3*	Safety Thermostat	C23114
4*	Fan Motor	23029
6*	2 Ways- Water Inlet Valve	23116