

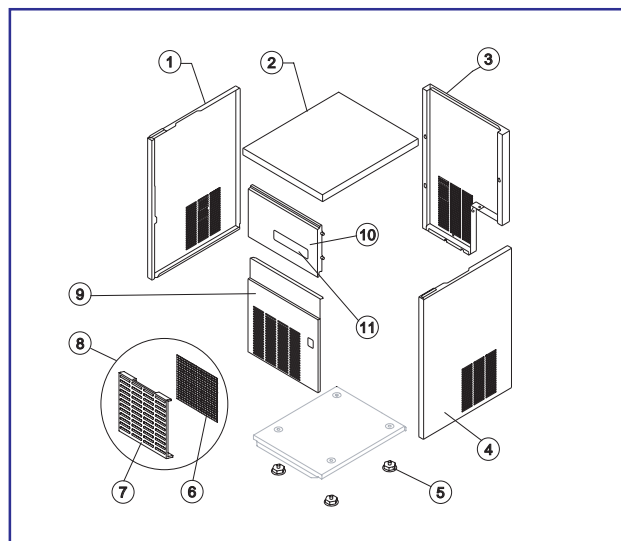
# SL 50 R290

# LIST OF THE EXPLODED VIEWS

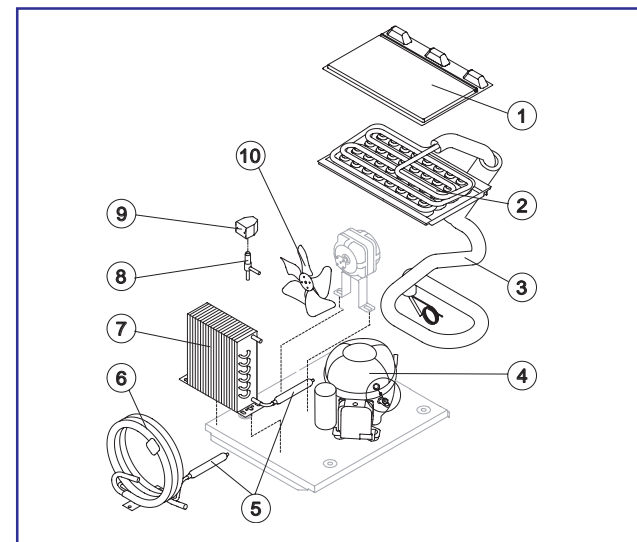
Rev. 00 - 26/05/2018



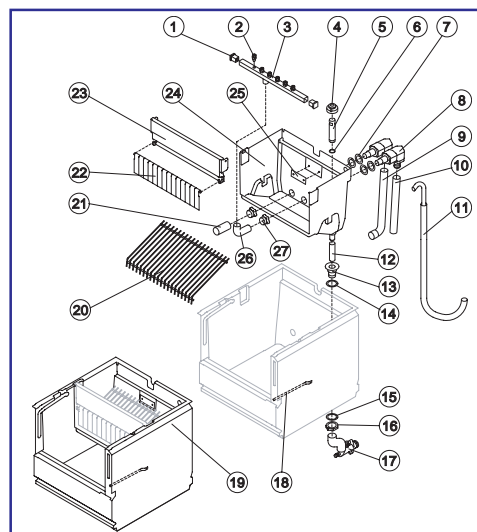
### SHELL ASSY



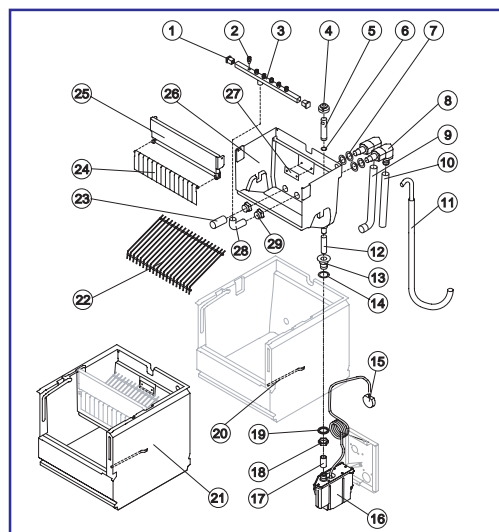
### COOLING SYSTEM



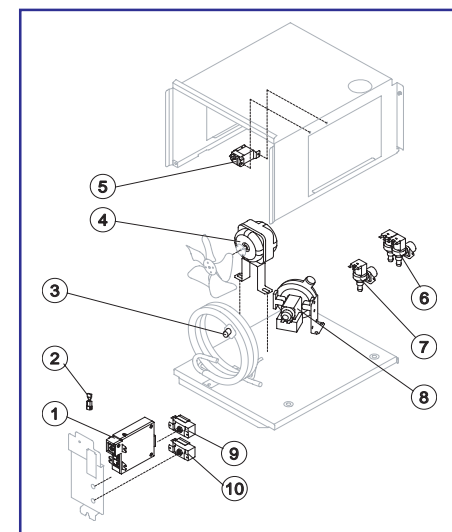
### HYDRAULIC CIRCUIT SL50A/W



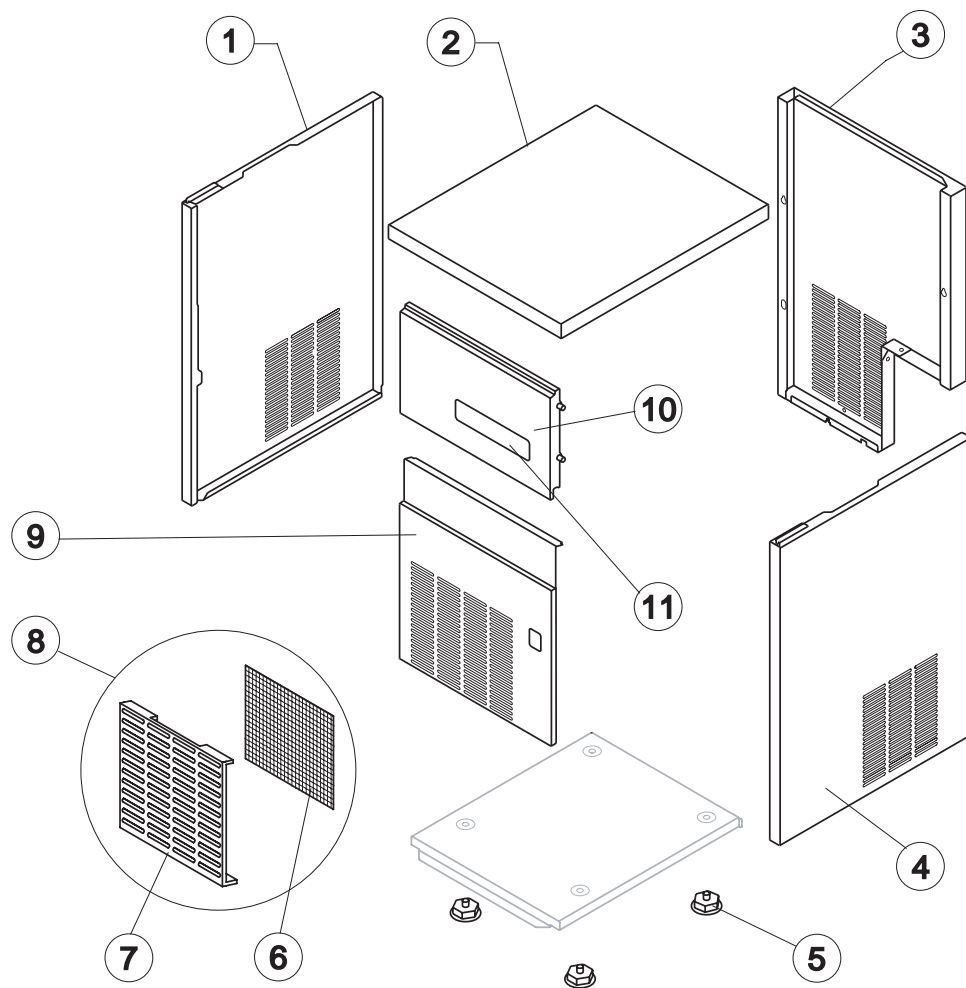
### HYDRAULIC CIRCUIT SL50A DP



### ELECTRICAL PARTS



Rev. 00 - 26/05/2018



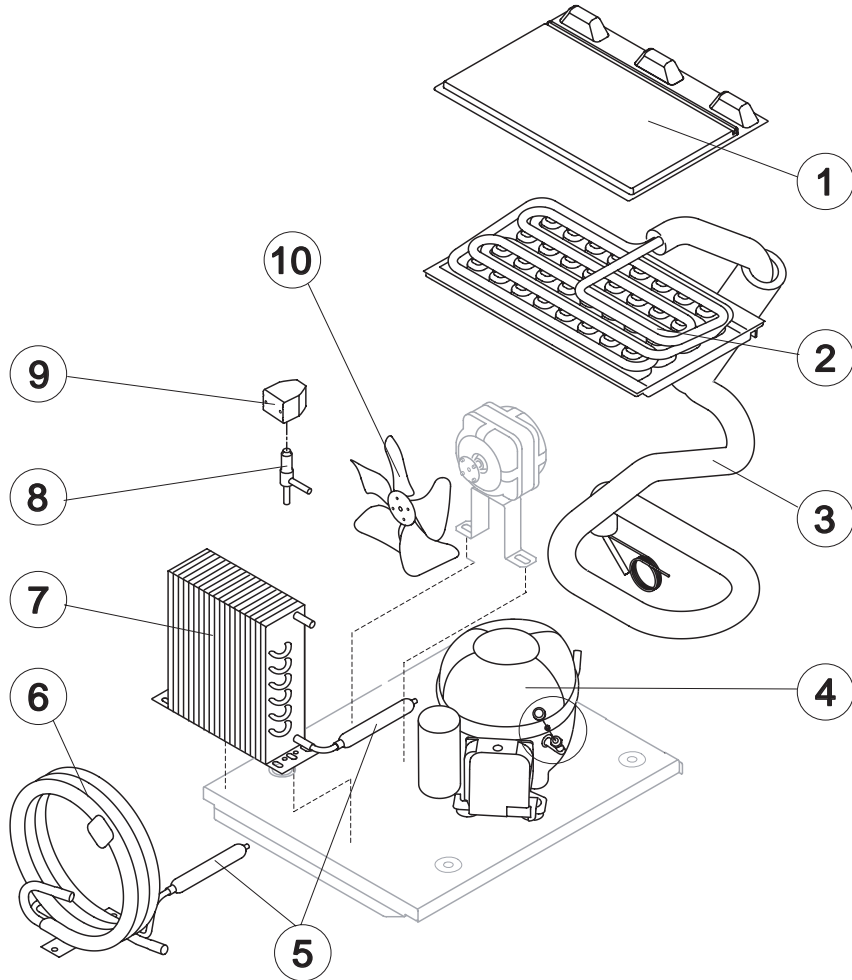
Ref.	Spare Description	Code
1	Left Side Panel	221411
2	Top Assembly	C221374
3	Grey Rear Side Panel	C21408
4	Right Side Panel	221412
5	Foot M10	10557
6	Filter	18243
7	Grid	10697
8	Grid Assembly	C10697
9	Front Panel	C221813
10	Door Assembly	C10358
11	Resinated Logo	241330

# SL 50 R290

# COOLING SYSTEM

## SL 50A R290/ SL 50W R290/ SL 50A R290 DP

Rev. 00 - 26/05/2018



### Common Parts

Ref.	Spare Description	Code	
1	Evaporator Cover Panel	10512	
2	Evaporator	D10045	
3	Suction Line	for the spare parts code give us the s/n.	
4	Compressor	231127	
5*	Molecular Drier	14009	
8*	Hot Gas Valve Body	Current Version	20853
8*	Hot Gas Valve Body	Till s/n. 892747	C201159
9*	Hot Gas Valve Coil	Current Version	23854
9*	Hot Gas Valve Coil	Till s/n. 892747	C201159

### Parts for Air-Cooled Version Only

Ref.	Spare Description	Code
7	Air Condenser	20534
10	Sucking Fan	20096

### Parts for Water-Cooled Version Only

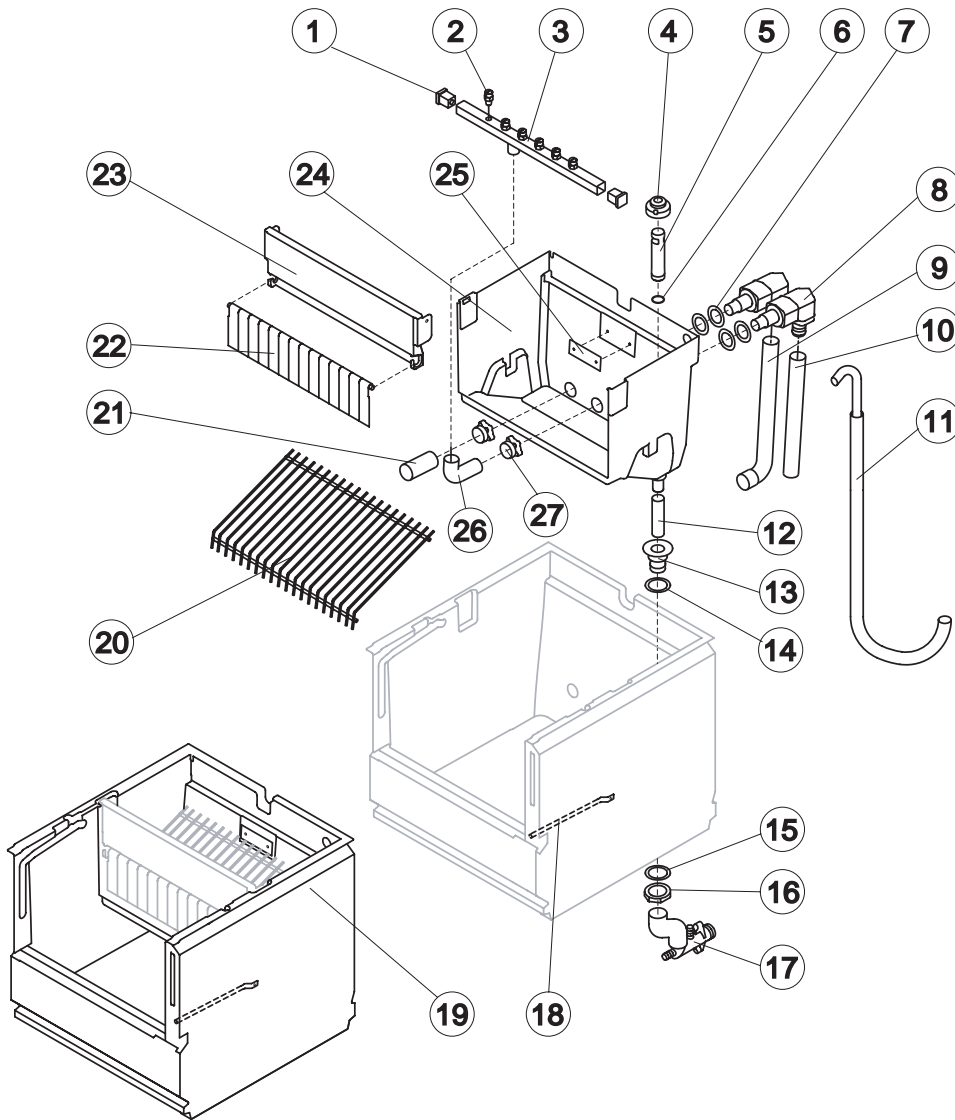
Ref.	Spare Description	Code
6	Water Condenser	14014
10	Sucking Fan	10213

# SL 50 R290

# HYDRAULIC CIRCUIT

## SL 50A R290/ SL 50W R290

Rev. 00 - 26/05/2018



### Common Parts

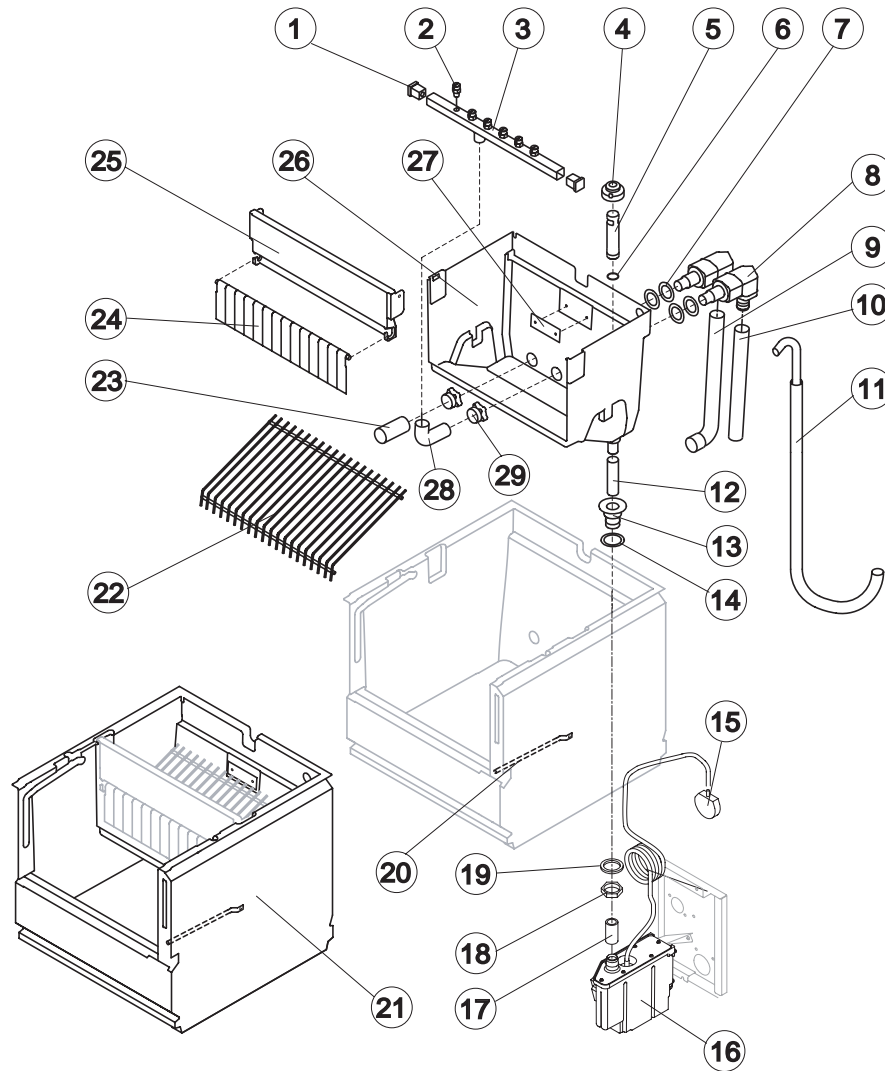
Ref.	Spare Description	Code
1	Sprayers Bar Plug	10012
2	Sprayer	D20002
3*	Sprayers Bar Assembly	C201062
4*	Overflow Cap	10305
5*	Overflow Pipe	10133
6*	OR Gasket for Overflow Pipe	20233
7	Gasket for Pump Suction/Delivery Pipes	13143
8	Insulated Pump Suction/Delivery Fitting	C10653
9	Insulated Pump Suction Pipe	C13171
10	Insulated Pump Delivery Pipe	C13175230
11*	Water Supply Pipe to the Evaporator	C13127
12*	Overflow Pipe	13105
13	Water Outlet Nipple	10472
14	Silicone Gasket	13006
15	Semirigid Polyethylene Gasket	13007
16	Bin Discharge Nut	10096
18	Bulbe-holder Pipe	20520
19	Complete Basin Assembly	C11175
20*	Ice Cubes Slide	D12001
21*	Pump Suction Filter	20005
22	Rod with Flags	C10533
23	Flags ABS Support	10529
24	Inner Basin	10252
25	Slide Keep Plate	10009
26	Sprayers Feeding Pipe	13005
27	Fittings Locking Ring	10654

### Parts for Air-Cooled Version Only

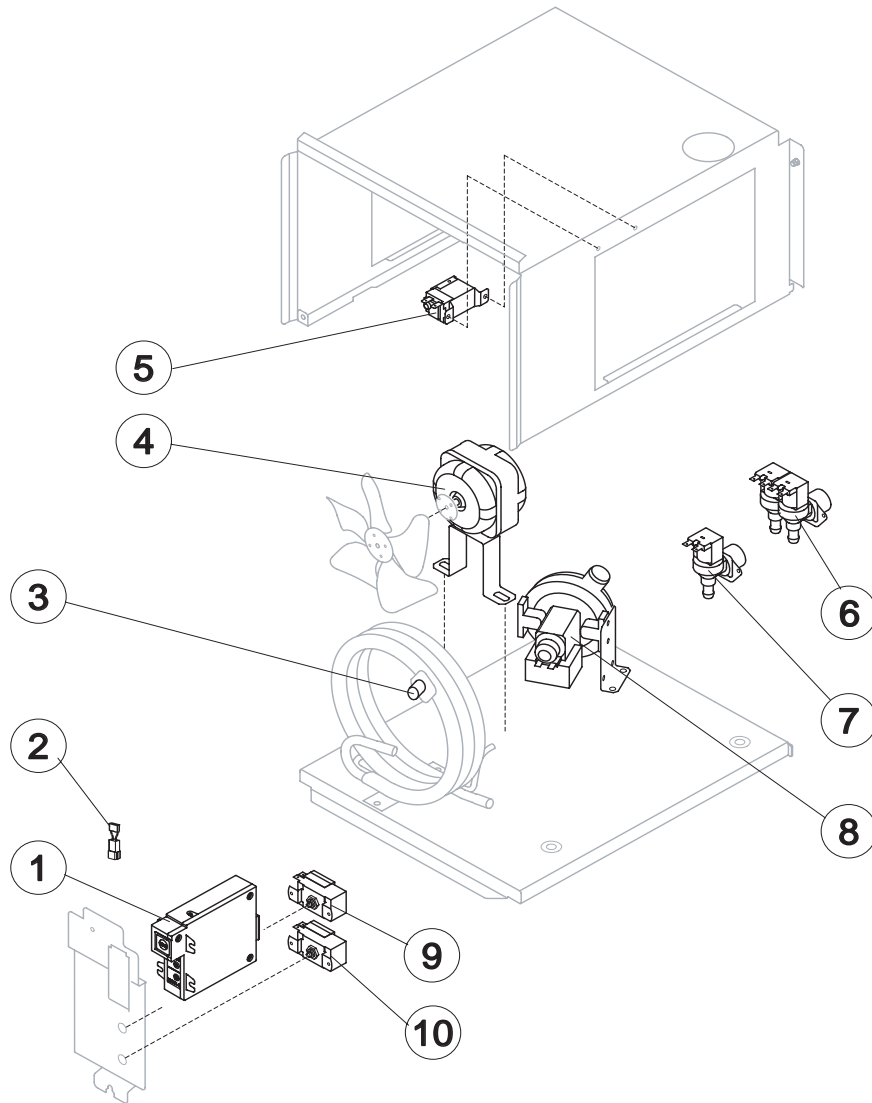
Ref.	Spare Description	Code
17	Discharges Manifold	C10006

### Parts for Water-Cooled Version Only

Ref.	Spare Description	Code
17	Discharges Manifold	C26452



Ref.	Spare Description	Code
1	Sprayers Bar Plug	10012
2	Sprayer	D20002
3*	Sprayers Bar Assembly	C201062
4*	Overflow Cap	10305
5*	Overflow Pipe	10133
6*	OR Gasket for Overflow Pipe	20233
7	Gasket for Pump Suction/Delivery Pipes	13143
8	Insulated Pump Suction/Delivery Fitting	C10653
9	Insulated Pump Suction Pipe	C13171
10	Insulated Pump Delivery Pipe	C13175230
11*	Water Supply Pipe to the Evaporator	C13127
12*	Overflow Pipe	13105
13	Water Outlet Nipple	10472
14	Silicone Gasket	13006
15	Drain Pump Pressure Switch	C231230
16	Drain Pump	C231225
17	Bin Discharge-Drain Pump Connection	C13175080
18	Bin Discharge Nut	10096
19	Semirigid Polyethylene Gasket	13007
20	Bulbe-holder Pipe	20520
21	Complete Basin Assembly	C11175
22*	Ice Cubes Slide	D12001
23*	Pump Suction Filter	20005
24	Rod with Flags	C10533
25	Flags ABS Support	10529
25	Inner Basin	10252
27	Slide Keep Plate	10009
28	Sprayers Feeding Pipe	13005
29	Fittings Locking Ring	10654



### Common Parts

Ref.	Spare Description	Code
1*	Electronic Timer / On-Off (AWS)	R231154
4*	Fan Motor	231041
8*	Pump Assembly	C231016
9*	Bin Thermostat	R23005
10*	Evaporator Thermostat	R23591

### Parts for Air-Cooled Version Only

Ref.	Spare Description	Code
7*	1 Way- Water Inlet Valve	23497

### Parts for Water-Cooled Version Only

Ref.	Spare Description	Code
2	Anti Radio Interference Filter	C23457
3*	Safety Thermostat	C23114
5*	Condenser Pressure Switch	231123
6*	2 Ways- Water Inlet Valve	23542