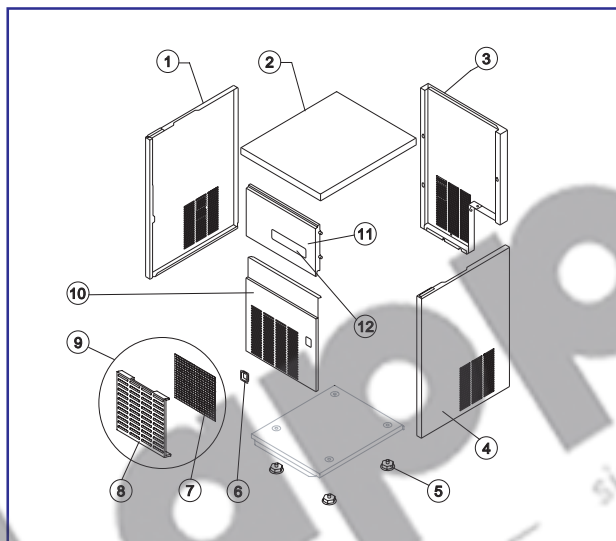


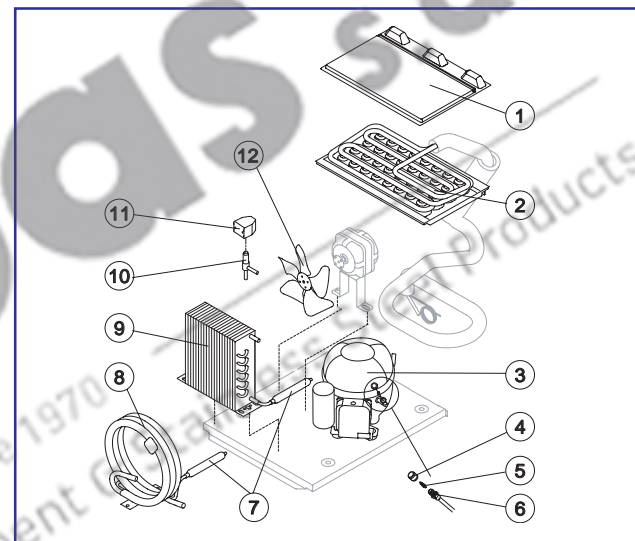
Rev. 0 -25/11/2013



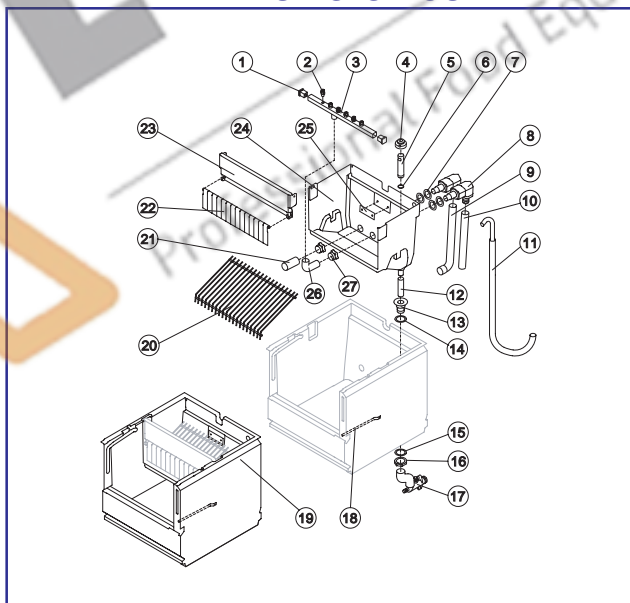
SHELL ASSY



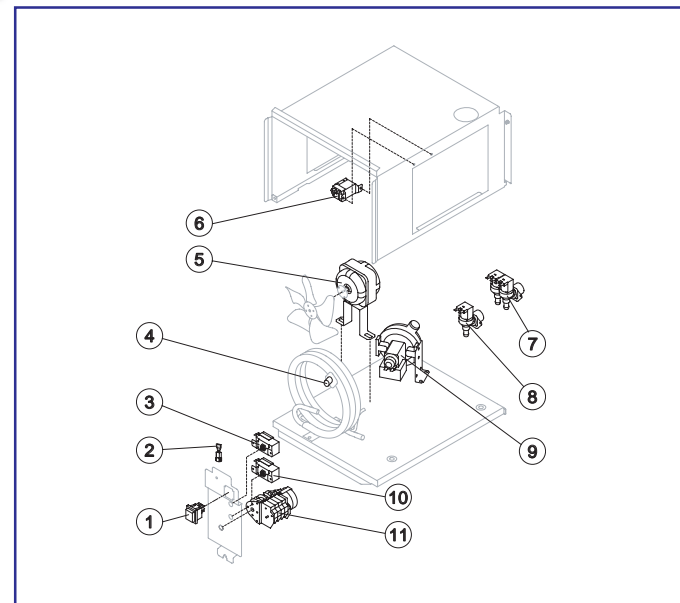
COOLING SYSTEM



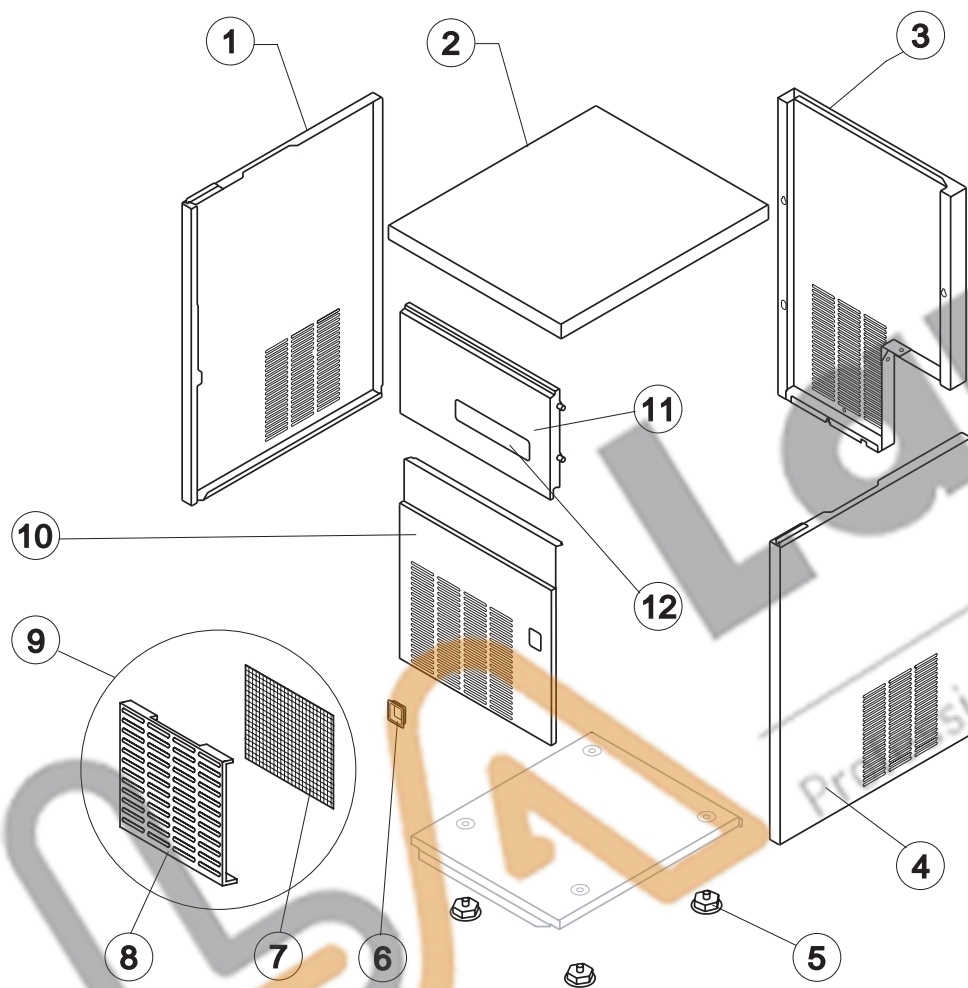
HYDRAULIC CIRCUIT



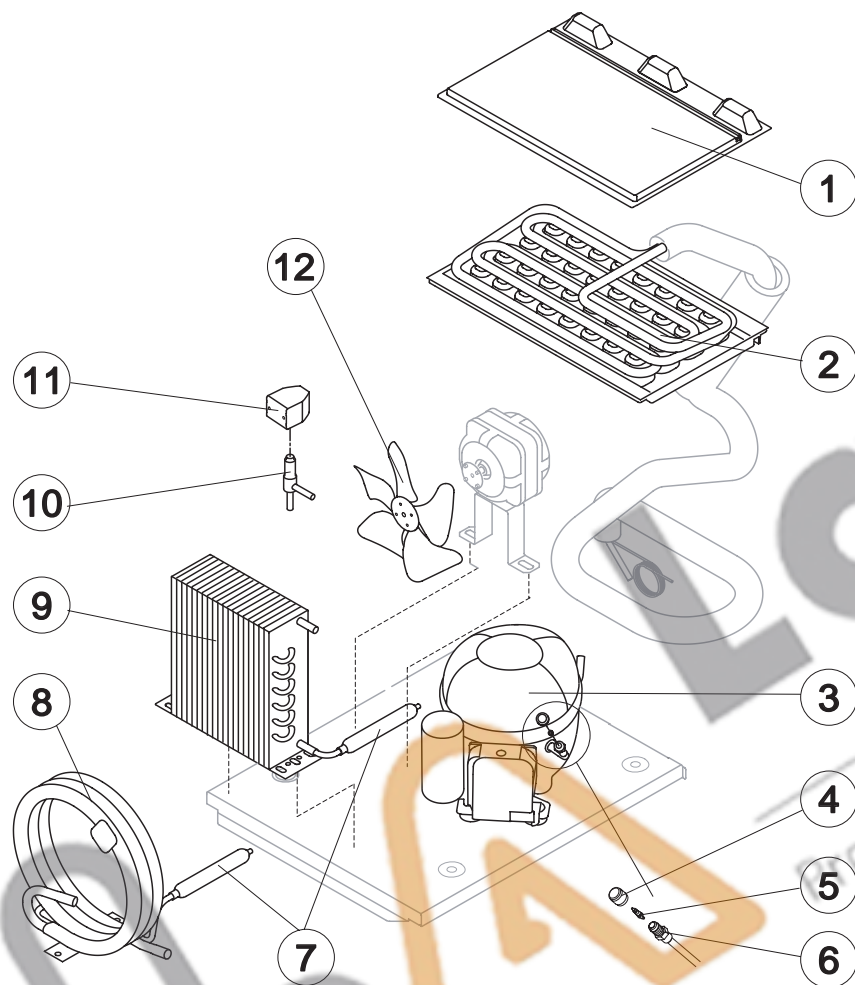
ELECTRIC PARTS



Rev. 0 -25/11/2013



Ref.	Spare Description	Code
1	Left Side Panel	N221411
2	Top Assembly	NC221374
3	Grey Rear Side Panel	NC21408
4	Right Side Panel	N221412
5	Foot	N10557
6	On-Off switch Frame	N10696
7	Filter	N18243
8	Grid	N10697
9	Grid Assembly	NC10697
10	Front Panel	NC221447
11	Door Assembly	NC10358
12	Resinated Logo	N241330



Common Parts

Ref.	Spare Description	Code
1	Evaporator Cover Panel	N10512
2	Evaporator Assy	See Table
3	Compressore	See Table
4	Vacuum-Charge Valve Plug	N14006
5*	Vacuum-Charge Valve Device	N14005
6*	Vacuum-Charge Valve Body	N14007
7*	Molecular Drier	N14009
10*	Hot Gas Valve Body	N20853
11*	Hot Gas Valve Coil	N23854
12	Suction Fan	See Table

Parts for Air-Cooled Version Only

Ref.	Spare Description	Code
9	Air Condenser	N20534

Parts for Water-Cooled Version Only

Ref.	Spare Description	Code
8	Water Condenser	N14057

Ref. 2 - Evaporator

Kind of Cube	Code
17 g. (Standard)	ND10045
32 g.	ND10320
14 g.	ND10416

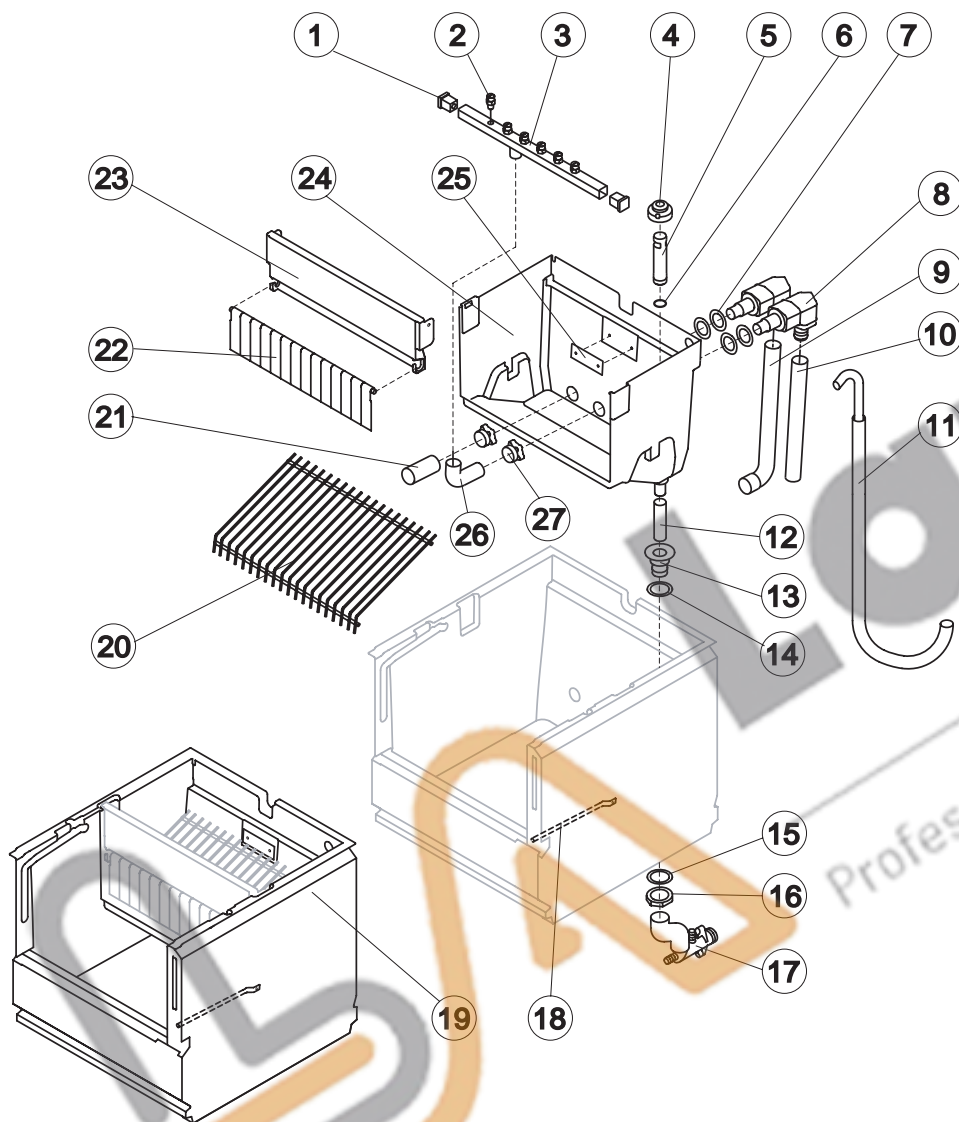
Ref. 3 - Compressor

Voltage	Code
220/240V 50 Hz	N23886
220/230V 60 Hz	N23494A

Ref. 12 - Suction Fan

Voltage	Air	Water
220/240V 50 Hz	N20096	N10213
220/230V 60 Hz	N20095	N10213

Rev. 0 -25/11/2013



Common Parts

Ref.	Spare Description	Code
1	Sprayers Bar Plug	N10012
2	Sprayer	ND20002
3*	Sprayers Bar Assembly	See Table
4*	Overflow Cap	N10305
5*	Overflow Pipe	N10133
6*	OR Gasket for Overflow Pipe	N20233
7	Gasket for Pump Suction/Delivery Pipes	N13143
8	Insulated Pump Suction/Delivery Fitting	NC10653
9	Insulated Pump Suction Pipe	NC13171
10	Insulated Pump Delivery Pipe	NC13175230
11*	Water Supply Pipe to the Evaporator	NC13127
12*	Overflow Pipe	N13105
13	Water Outlet Nipple	N10472
14	Silicone Gasket	N13006
15	Semirigid Polyethylene Gasket	N13007
16	Bin Discharge Nut	N10096
18	Bulbe-holder Pipe	N20520
19	Complete Basin Assembly	NC11175
20*	Ice Cubes Slide	See Table
21*	Pump Suction Filter	N20005
22	Rod with Flags	NC10533
23	Flags ABS Support	N10529
24	Inner Basin	N10252
25	Slide Keep Plate	N10009
26	Sprayers Feeding Pipe	N13005
27	Fittings Locking Ring	N10654

Parts for Air-Cooled Version Only

Ref.	Spare Description	Code
17	Discharges Manifold	NC10006

Parts for Water-Cooled Version Only

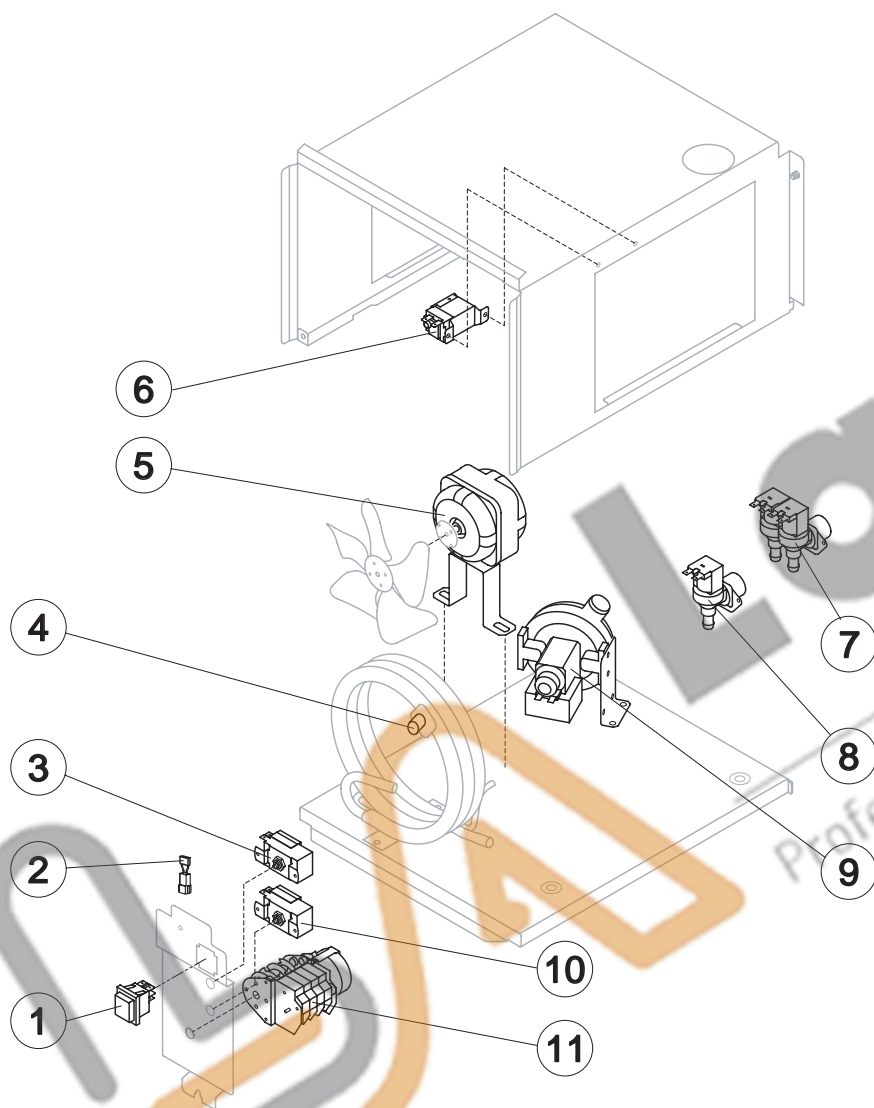
Ref.	Spare Description	Code
17	Discharges Manifold	NC26452

Ref. 3* - Sprayers Bar Assembly

Kind of Cube	Code
17 g. (Standard)	NC201062
32 g.	NC201089
14 g.	NC201071

Ref. 20* - Ice Cubes Slide

Kind of Cube	Code
17 g. (Standard)	ND12001
32 g.	ND12066
14 g.	ND12046



Common Parts

Ref.	Spare Description	Code
1*	Green Light Switch (On-Off)	N23327
3*	Bin Thermostat	NR23005
9*	Pump Assembly	See Table
10*	Evaporator Thermostat	NR23591
11*	Timer	See Table

Parts for Air-Cooled Version Only

Ref.	Spare Description	Code
5*	Fan Motor	N231041
8*	1 Way- Water Inlet Valve	N23497

Parts for Water-Cooled Version Only

Ref.	Spare Description	Code
2	Anti Radio Interference Filter	Only 220V 50 Hz NC23458
4*	Safety Thermostat	NC23114
5*	Fan Motor	N23029
6*	Condenser Pressure Switch	N23175
7*	2 Ways- Water Inlet Valve	N23542

Ref. 9* - Pump Assembly

Voltage	Code
220/240V 50Hz	NC231016
220/230V 60Hz	NC231046

Ref. 11* - Timer

Voltage	Cube 17g	Cube 32g	Cube 14g
220/240V 50 Hz	N23222	N23248	N23247
220/230V 60 Hz	N231078	N231080	N231077