

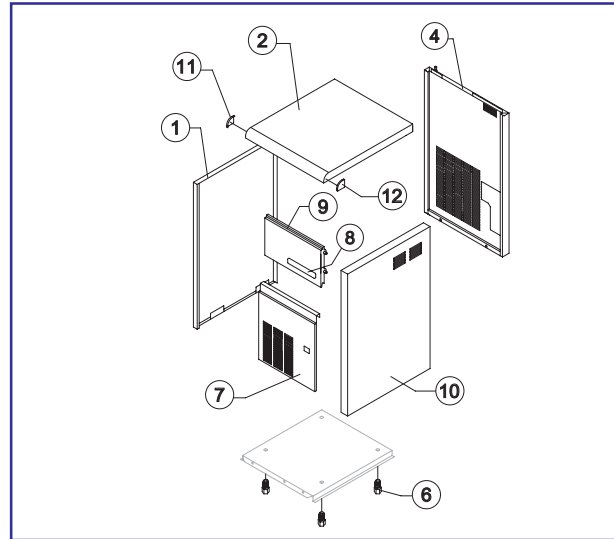
SL 35 R290

LIST OF THE EXPLODED VIEWS

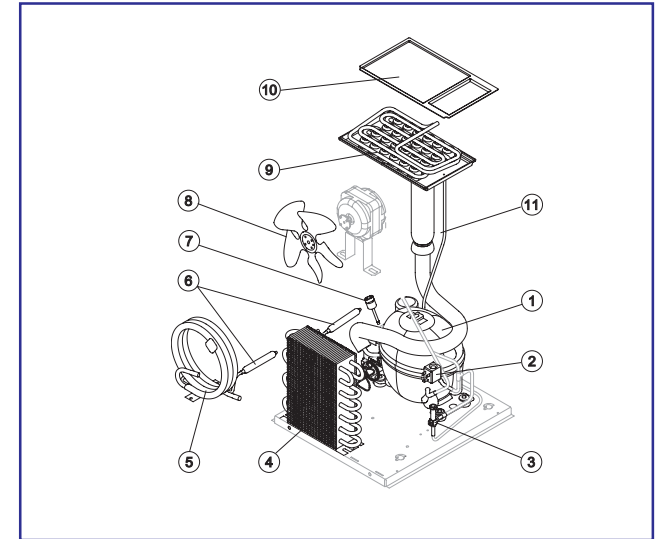
Rev. 00 - 14/05/2018



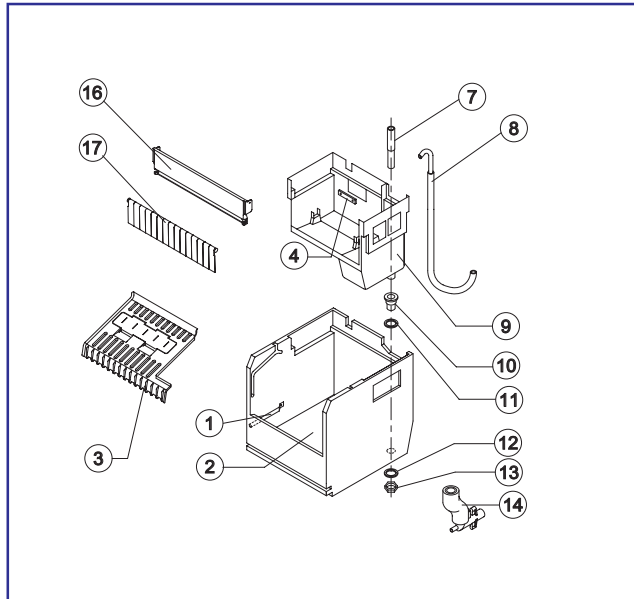
SHELL ASSY



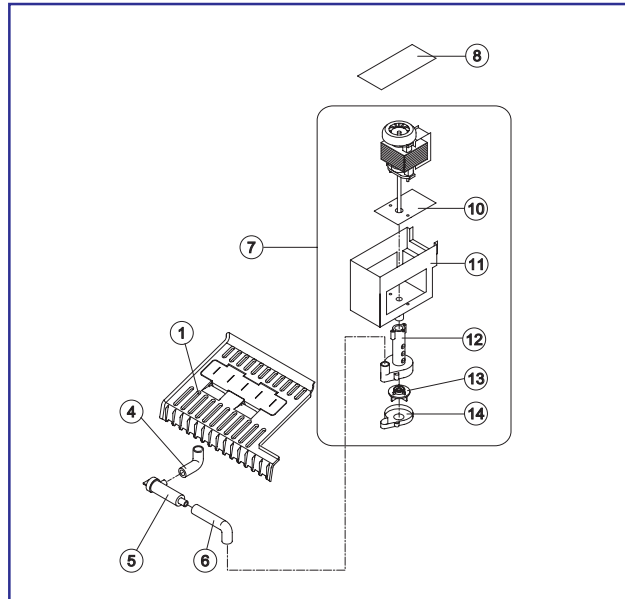
COOLING SYSTEM



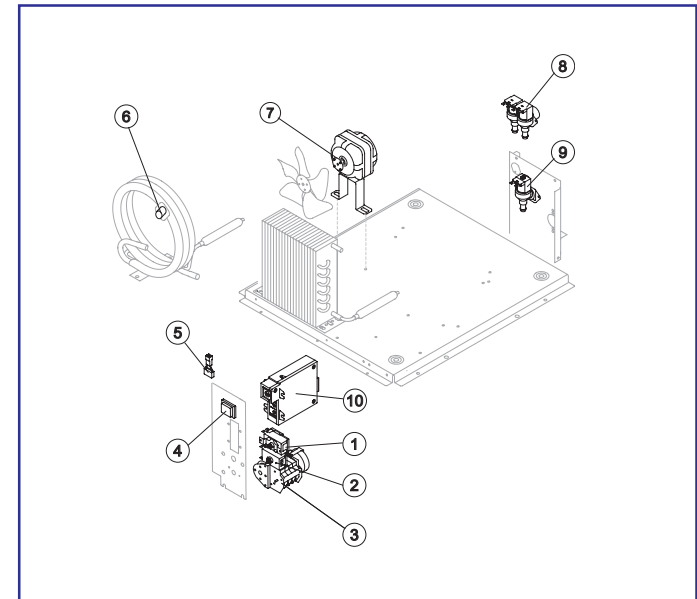
HYDRAULIC CIRCUIT

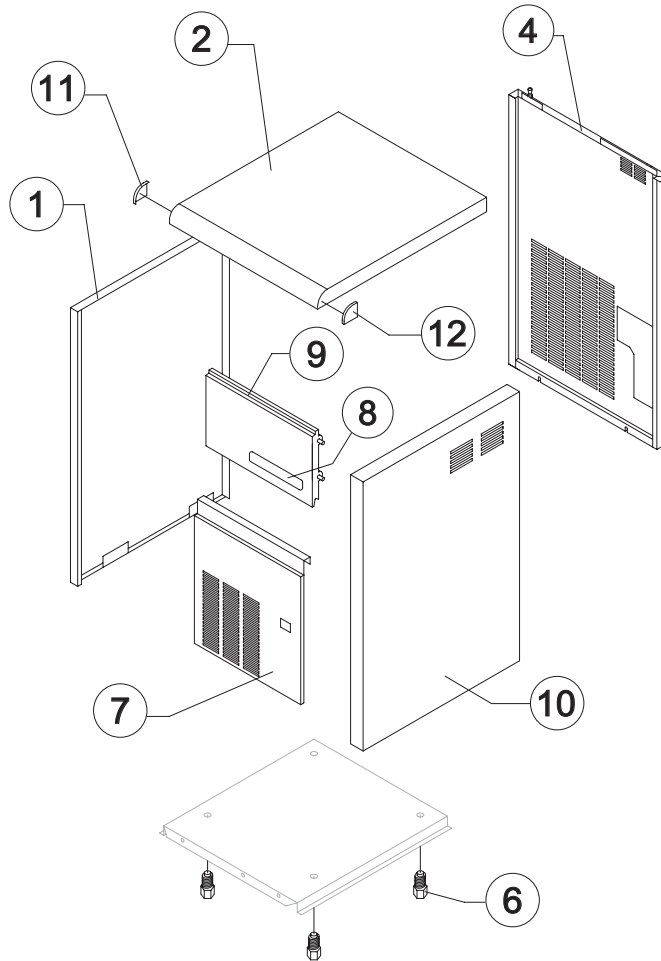


SPRAYER PUMP

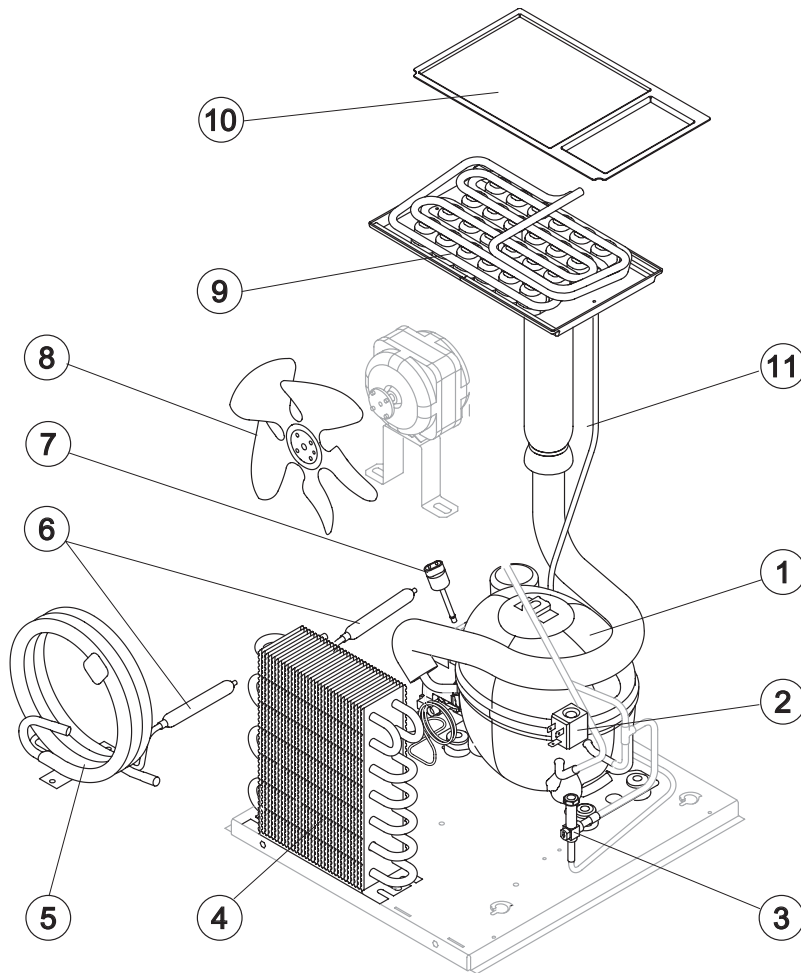


ELECTRIC PARTS





Ref.	Spare Description	Code	
1	Left Side Panel Assembly	22713	
2	Top Assembly	C22834GR	
4	Grey Rear Panel	21290	
6	Foot	10017	
7	Front Panel	Current Version	C221680
7	Front Panel	Till s/n. 882687	221070
10	Right Side Panel Assembly	22712	
8	Resinate Logo	24468	
9	Door	10378	
11	Left Top Protection	10323GR	
12	Right Top Protection	10324GR	



Common Parts

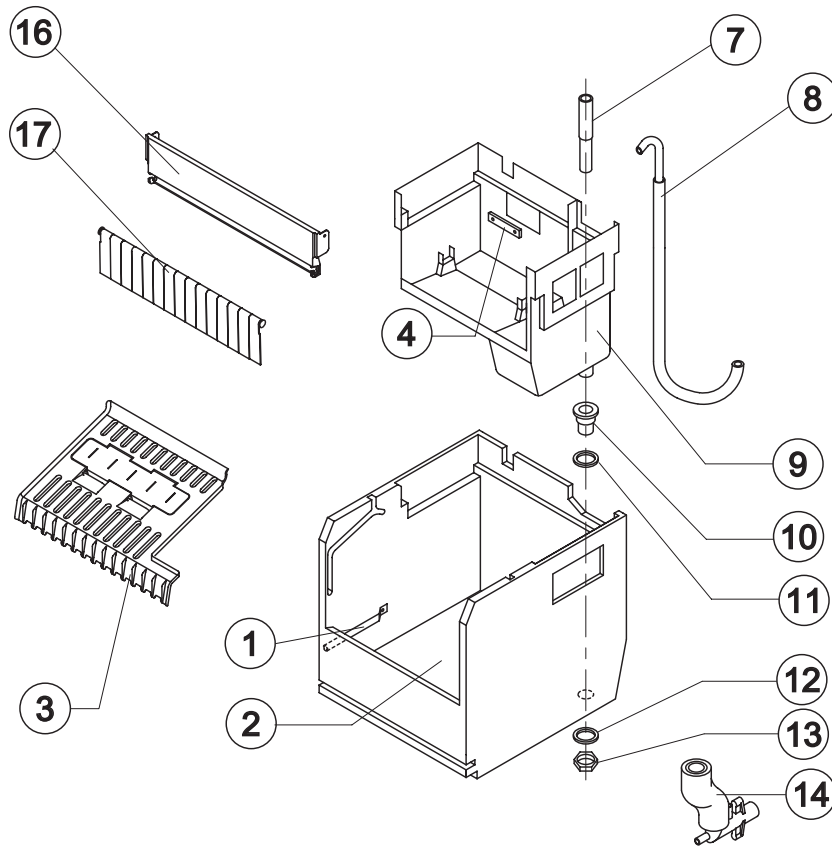
Ref.	Spare Description	Code
1	Compressor	231127
2*	Hot Gas Valve Coil	Current Version 23854
2*	Hot Gas Valve Coil	Till s/n. 892747 C201159
3*	Hot Gas Valve Body	Current Version 20853
3*	Hot Gas Valve Body	Till s/n. 892747 C201159
6*	Molecular Drier	14009
9	Evaporator	D10079
10	Evaporator Cover Panel	10498
11	Suctin Line	for the spare parts code give us the s/n.

Parts for Air-Cooled Version Only

Ref.	Spare Description	Code
4	Air Condenser	20094
8	Sucking Fan	20095

Parts for Water-Cooled Version Only

Ref.	Spare Description	Code
5	Water Condenser	14593
7*	Fan cycle switch	231227



Common Parts

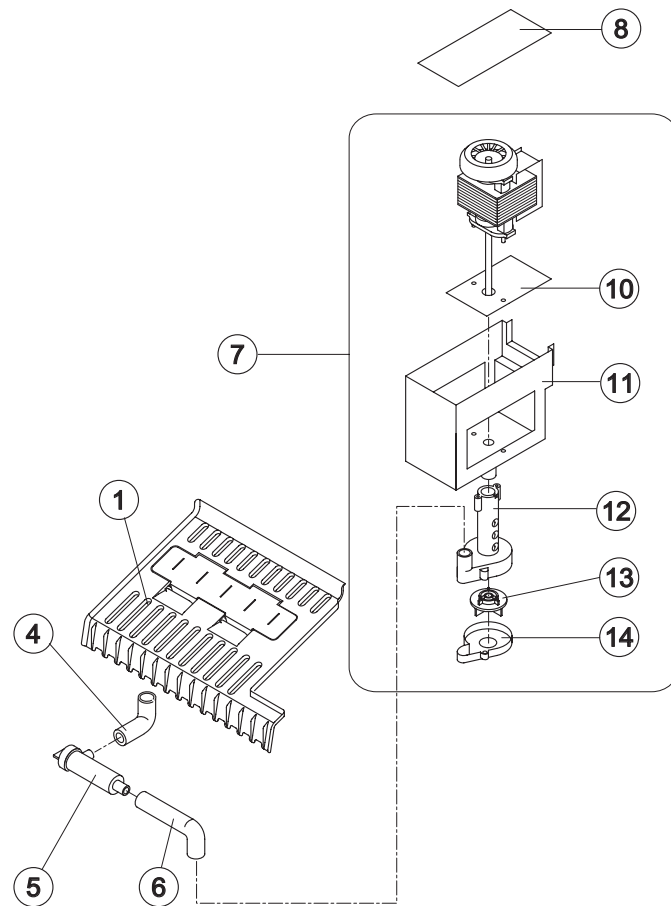
Ref.	Spare Description	Code
1	Bulbe- holder pipe	20520
2	Foamed Bin	R11016/E
3	Ice Cubes Slide	C10626
4	Slide Keep Plate	10142
7*	Overflow Pipe	13028
8*	Evaporator Feeding Pipe Assy	C20535
9	Inner Basin	10064
10	Water Outlet Nipple	10472
11	Silicone Gasket	13006
12	Semirigid Polyethylene Gasket	13007
13	Bin Discharge Nut	10096
16	Flags ABS Support	10530
17	Flags with Rod	C10532

Parts for Air-Cooled Version Only

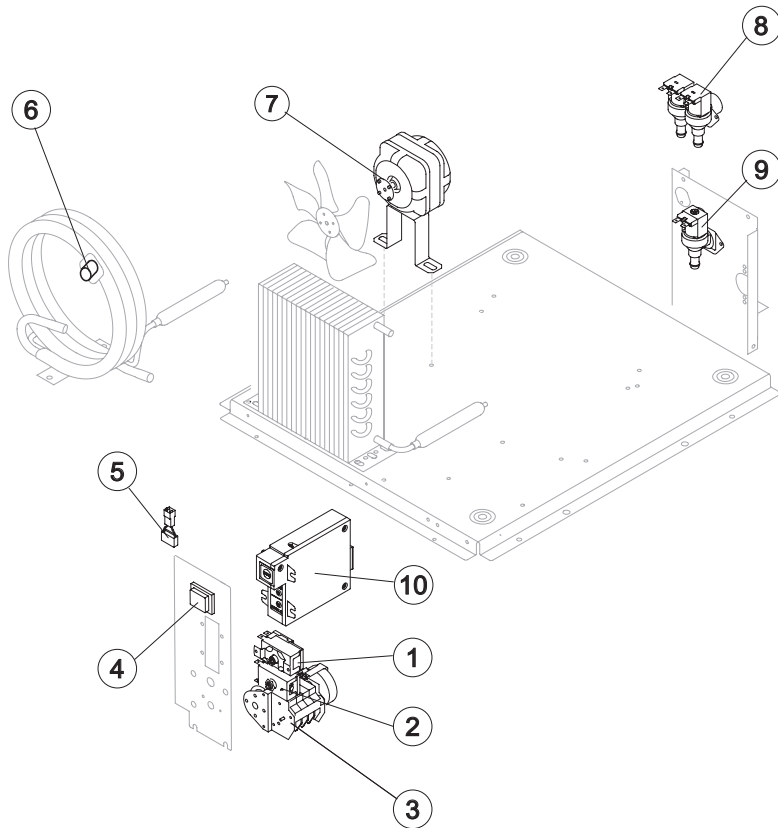
Ref.	Spare Description	Code
14	Discharges Manifold	C10006

Parts for Water-Cooled Version Only

Ref.	Spare Description	Code
14	Discharges Manifold	C26452



Ref.	Spare Description	Code
1*	Sprayers Bar Assembly	C10626
4	Filter-Sprayers Bar Connection Pipe	13005
5*	Pump Filter	10139
6	Pump-Filter Connection Pipe	13055
7*	Pump Assy	C23858
8	Pump Cover	10647
10	Heat Dissipator	22430
11	Pump Motor Box	10073
12	Pump Body	10065
13	Pump Impeller	10066
14	Diffusor	10067



Common Parts

Ref.	Spare Description	Code
1*	Bin Thermostat	R23005
2*	Evaporator Thermostat	R23591
3*	Timer	Till s/n. 882687 23247
4*	Green Light Switch (On-Off)	Till s/n. 882687 23327
10	Electronic Timer / On-Off (AWS)	Current Version R231154

Parts for Air-Cooled Version Only

Ref.	Spare Description	Code
7*	Fan Motor	23029
9*	1 Way- Water Inlet Valve	23497

Parts for Water-Cooled Version Only

Ref.	Spare Description	Code
5	Anti Radio Interference Filter	C23457
6*	Safety Thermostat	C23114
8*	2 Ways- Water Inlet Valve	23498