



SL 280 R290

LIST OF THE EXPLODED VIEWS



SHELL ASSY SL 280A R290

SHELL ASSY SL 280A R290 Drain Pump

COOLING SYSTEM

HYDRAULIC CIRCUIT SL 280A R290

HYDRAULIC CIRCUIT SL 280A R290 Drain Pump

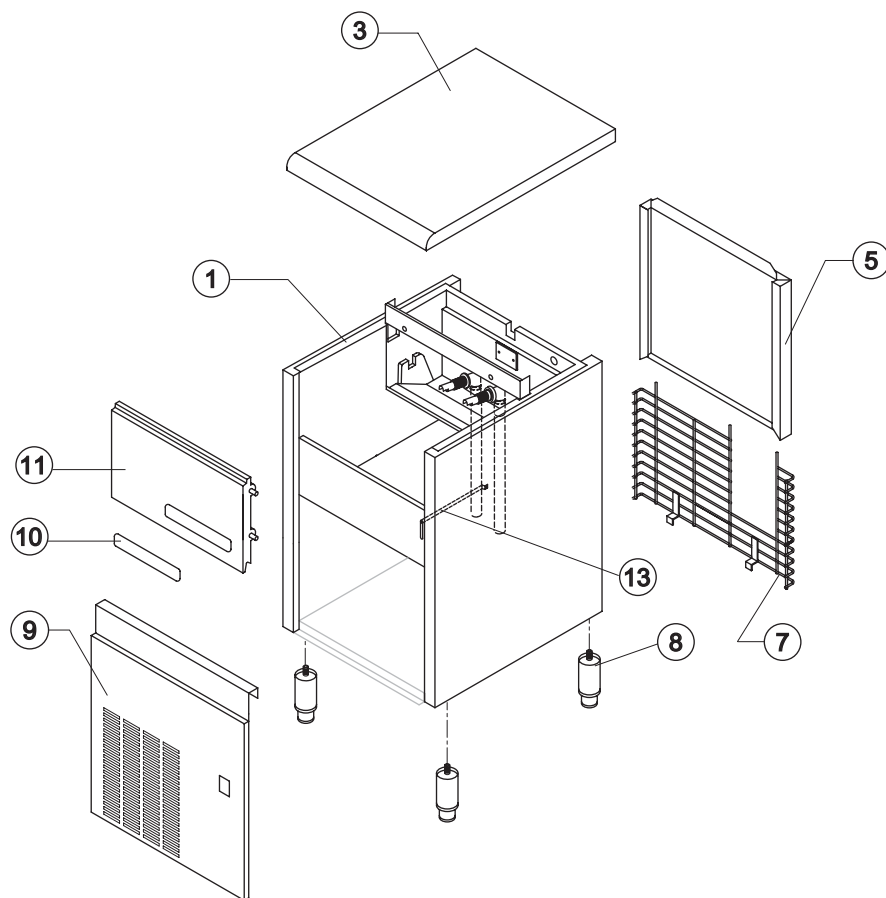
ELECTRIC PARTS



SL 280 R290

SHELL ASSY

SL 280A R290



Ref.	Spare Description	Code
1	Foamed Cabinet Assy	C11086A
3	Top Assembly	C22549
5	Rear Panel Assembly	C21209
7	Rear Grid	D12021
8	Adjustable Stainless Steel Foot	20613
9	Front Grid Panel	22710
10	Resinate Logo	241330
11	Door Assy	C10362
13	Bulbe-holder Pipe	20521

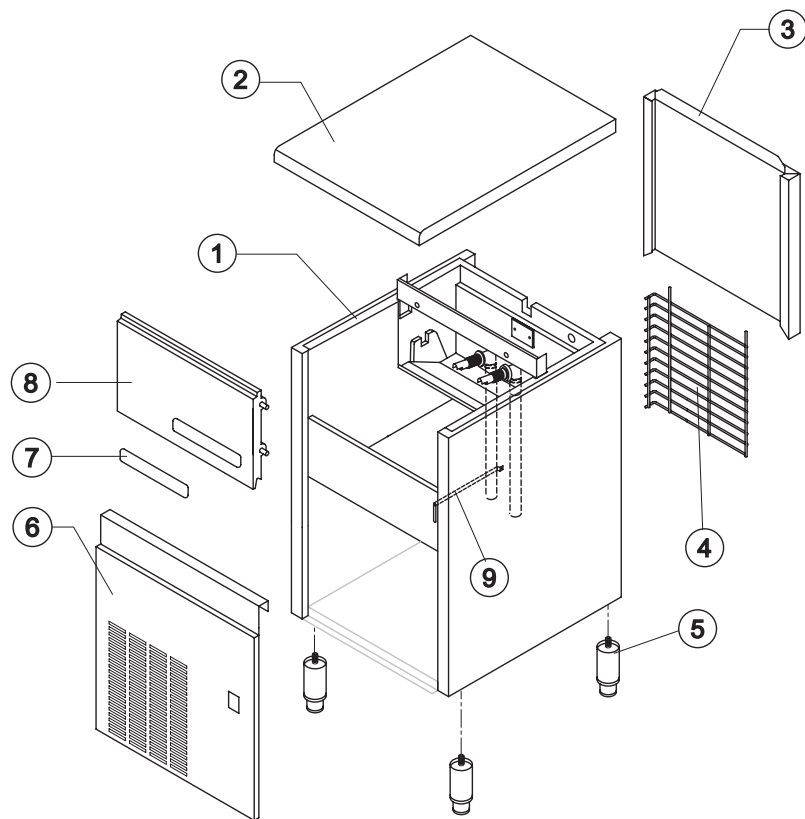
Rev. 00 - 14/04/2018



SL 280 R290

SHELL ASSY

SL 280A R290 DP



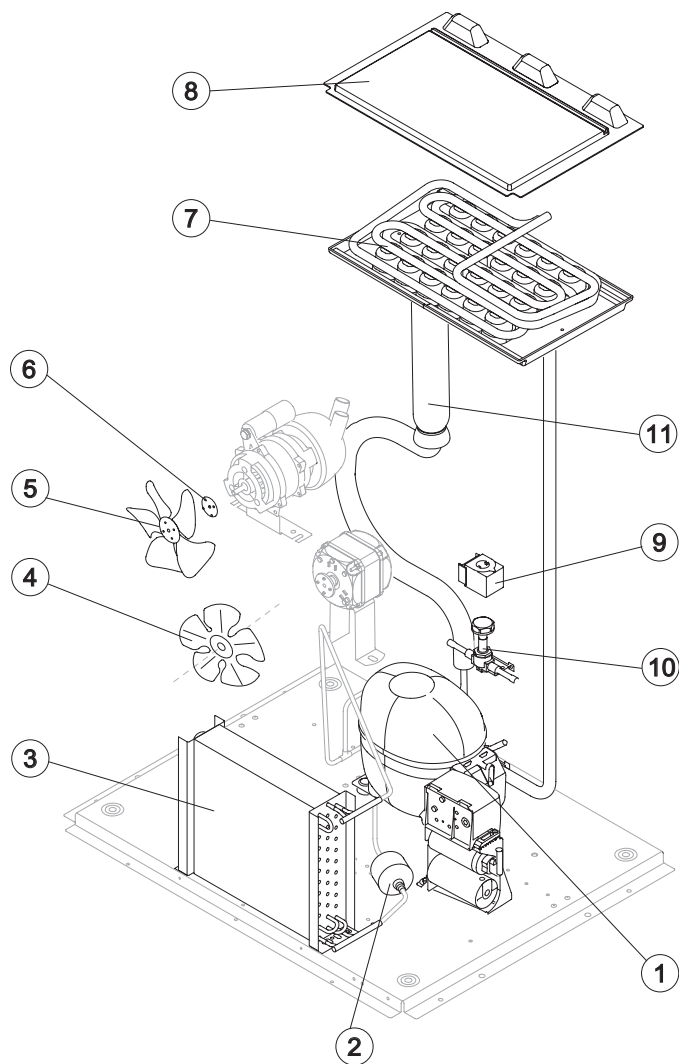
Ref.	Spare Description	Code
1	Foamed Cabinet Assy	C11086DP
2	Top Assembly	C22549
3	Rear Panel Assembly	C21209
4	Rear Grid	D12103
5	Adjustable Stainless Steel Foot	20613
6	Front Grid Panel	22710
7	Resinate Logo	241330
8	Door Assy	C10362
9	Bulbe-holder Pipe	20521



SL 280 R290

COOLING SYSTEM

SL 280A R290 / SL 280A R290 DP



Ref.	Spare Description	Code
1	Compressor	231206
2*	Liquid line drier	141003
3	Air Condenser	201223
4	Sucking Fan	20407
5	Sucking Fan	10213
6	Hub for the Fan Fixing	10014
7	Evaporator	See Table
8	Evaporator Cover Panel	10450
9*	Hot Gas Valve Body	231294
10*	Hot Gas Valve Coil	201162
11	Suctin Line	for the spare parts code give us the s/n.

Ref. 7 - Evaporator

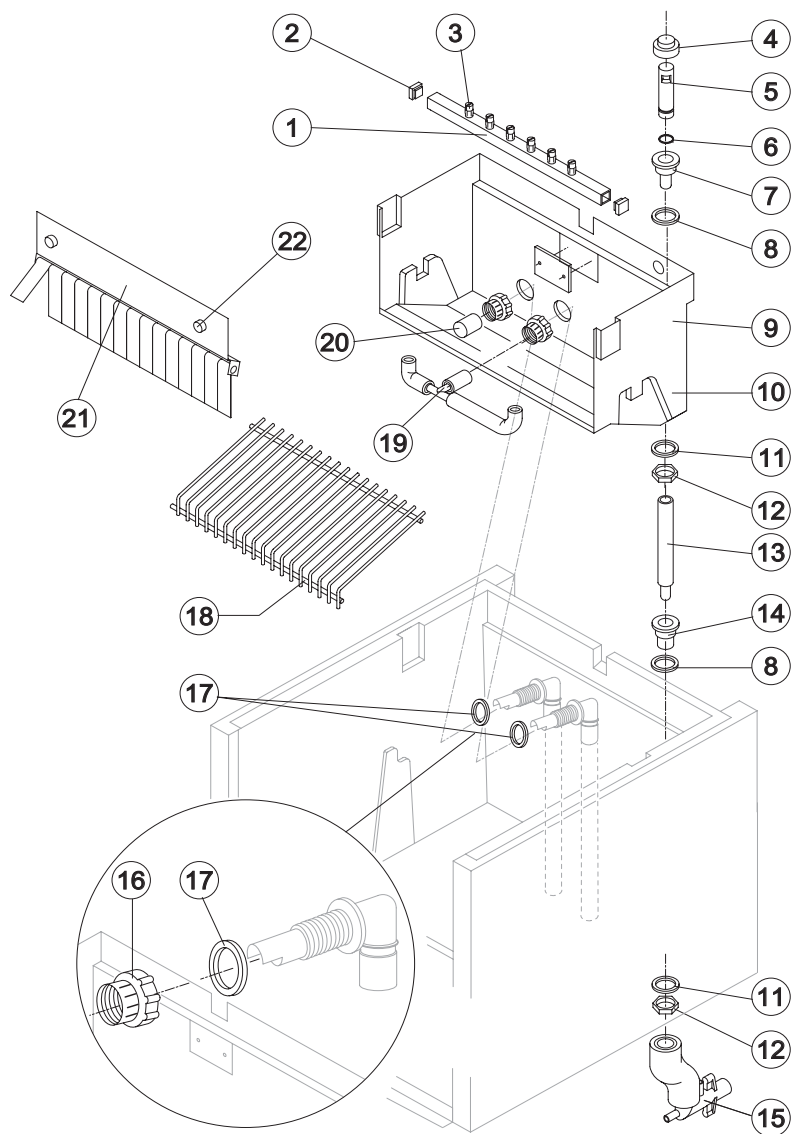
Kind of Cube	Code
18 g. (Standard)	D10214
33 g.	D10092
60 g.	D10555



SL 280 R290

HYDRAULIC CIRCUIT

SL 280A R290



Ref.	Spare Description	Code
1*	Sprayers Bar Assembly	See Table
2	Sprayer Bar Plug	10012
3	Sprayer	D20002
4*	Overflow Cap	10305
5*	Overflow Pipe	10133
6*	OR Gasket for Overflow Pipe	20233
7	Overflow pipe nipple	10471
8	Silicone Gasket	13006
9	Slide keep plate	10009
10	Inner Basin	10759
11	Semirigid Polyethylene Gasket	13007
12	Bin Discharge Nut	10096
13*	Overflow Pipe	13155
14	Water Outlet Nipple	10472
15	Discharges Manifold	C10006
16	Fittings Locking Ring	10405
17	Gasket for Pump Suction/Delivery Pipes	13143
18	Ice Cubes Slide	See Table
19	Sprayers Feeding Pipe Assembly	C13036
20*	Pump Suction Filter	20005
21	Flags Support Assembly	C22134
22	Fixing screw	20009

Ref. 1* - Sprayers Bar Assy

Kind of Cube	Code
18 g. (Standard)	C20144
33 g.	C20157
60 g.	C20941

Ref. 17 - Ice Cubes Slide

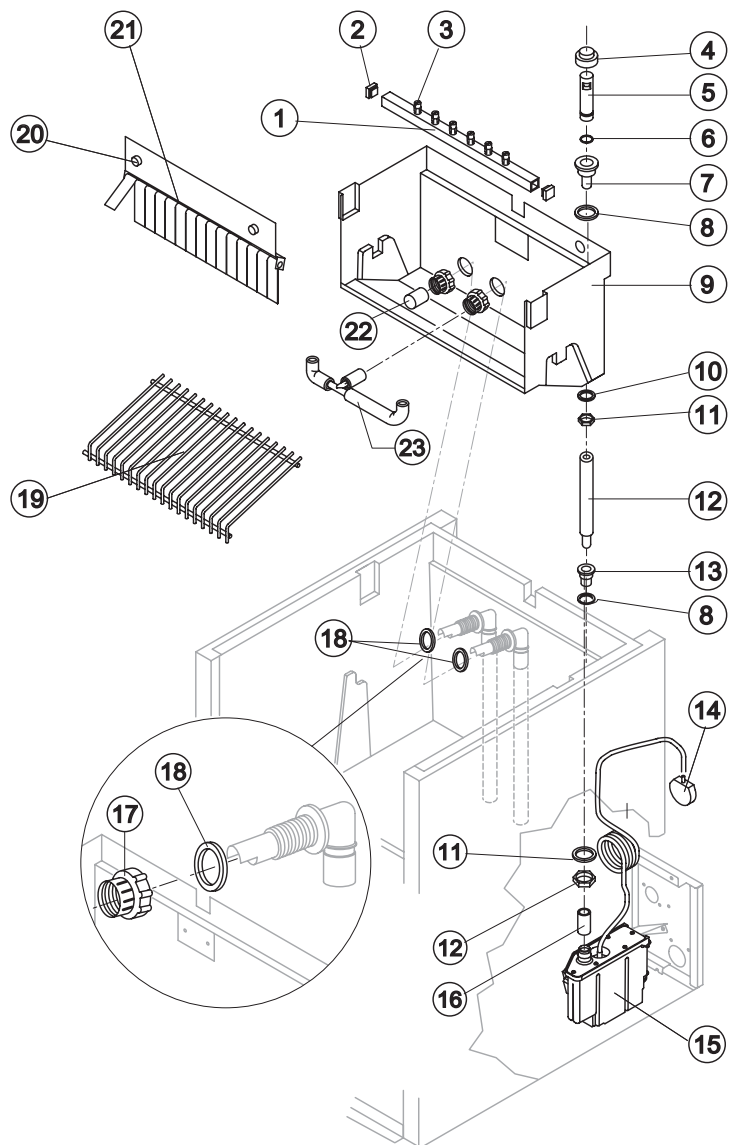
Kind of Cube	Code
18 g. (Standard)	D12022
33 g.	D12033
60 g.	D12084



SL 280 R290

HYDRAULIC CIRCUIT

SL 280A R290 DP



Ref.	Spare Description	Code
1*	Sprayers Bar Assembly	C20144
2	Sprayer Bar Plug	10012
3	Sprayer	D20002
4*	Overflow Cap	10305
5*	Overflow Pipe	10133
6*	OR Gasket for Overflow Pipe	20233
7	Overflow pipe nipple	10471
8	Silicone Gasket	13006
9	Inner Basin	10759
10	Semirigid Polyethylene Gasket	13007
11	Bin Discharge Nut	10096
12*	Overflow Pipe	13155
13	Water Outlet Nipple	10472
14	Drain Pump Pressure Switch	C231230
15	Drain Pump	C231225
16	Bin Discharge-Drain Pump Connection	C13175200
17	Fittings Locking Ring	10405
18	Gasket for Pump Suction/Delivery Pipes	13143
19	Ice Cubes Slide	D12022
20	Fixing screw	20009
21	Flags Support Assembly	C22134
22*	Pump Suction Filter	20005
23	Sprayers Feeding Pipe Assembly	C13036

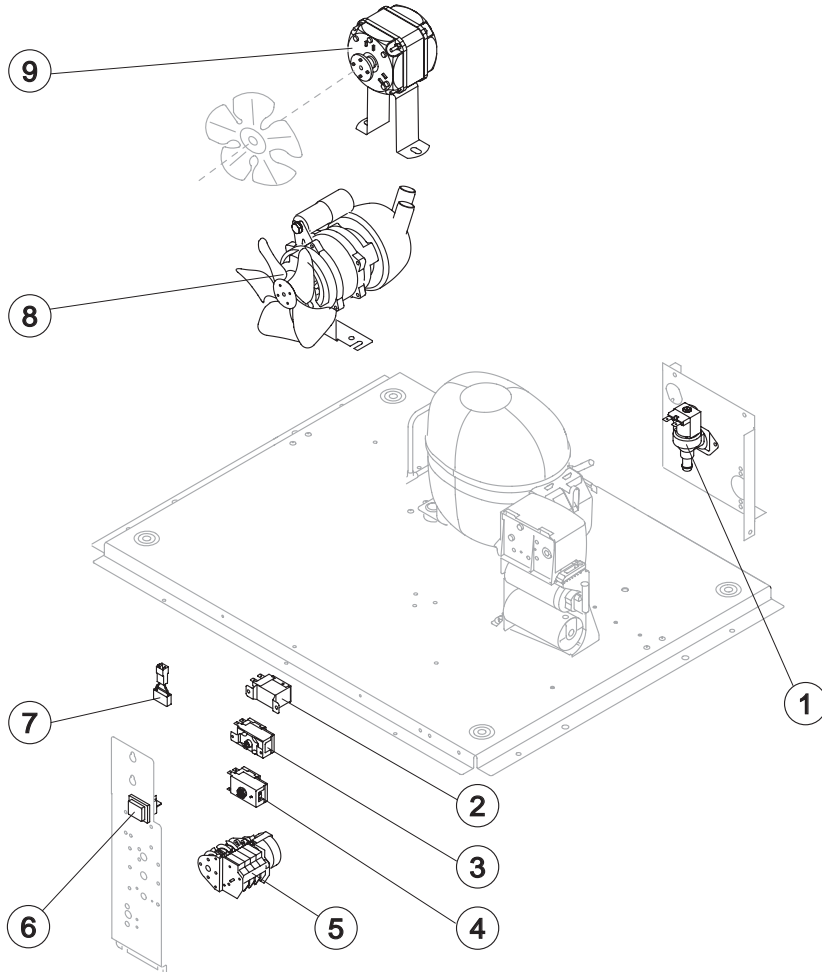
Rev. 00 - 14/04/2018



SL 280 R290

ELECTRIC PARTS

SL 280A R290 / SL 280A R290 DP



Ref.	Spare Description	Code
1*	1 Way- Water Inlet Valve	23220
2*	Fan cycle switch	231123
3*	Bin Thermostat	R23005
4*	Evaporator Thermostat	R23591
5*	Timer	See Table
6*	Green Light Switch (On-Off)	23327
7	Anti Radio Interference Filter	C23459
8*	Pump Assy	C23462
9*	Fan Motor	23121

Ref. 5*

Voltage	18g Cube	33g Cube	60g Cube
T11	23222	23248	23922

Rev. 00 - 14/04/2018