

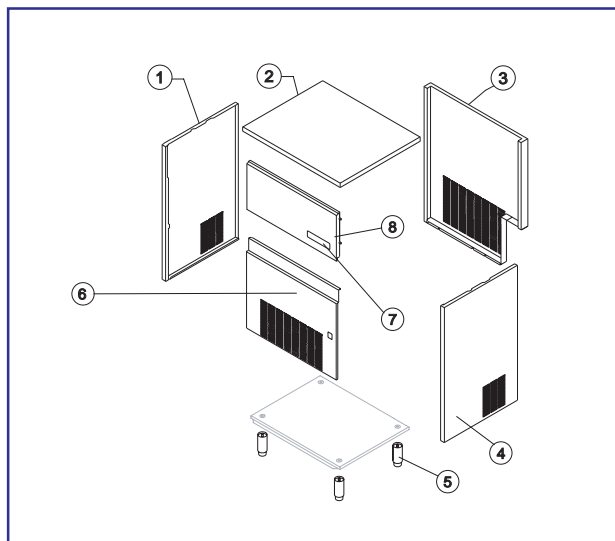
# SL 260 R290

# LIST OF THE EXPLODED VIEWS

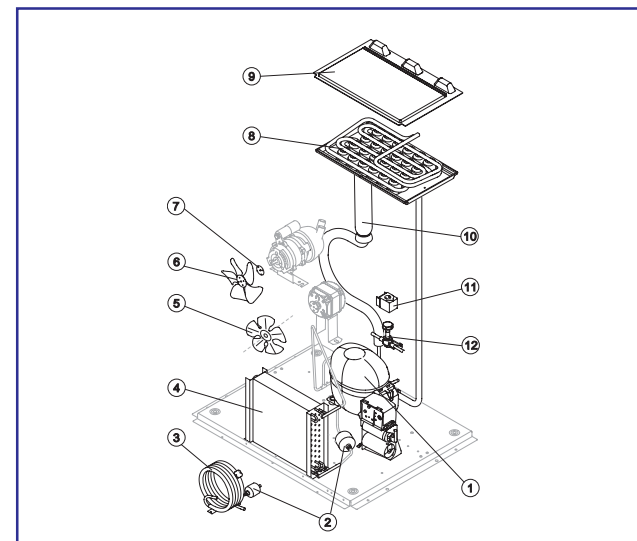
Rev. 00 - 23/05/2018



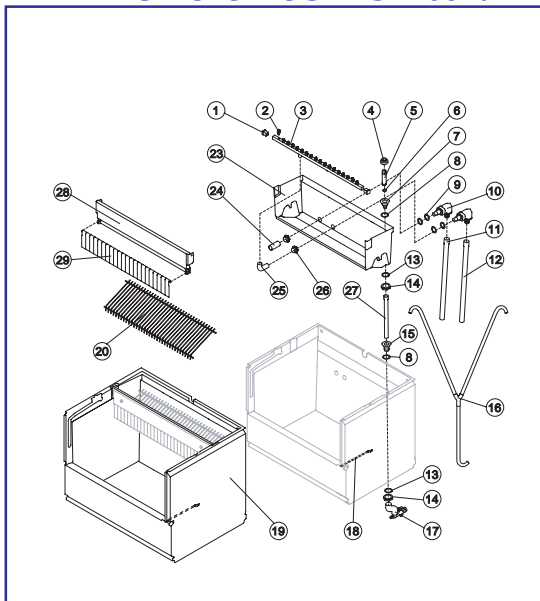
### SHELL ASSY



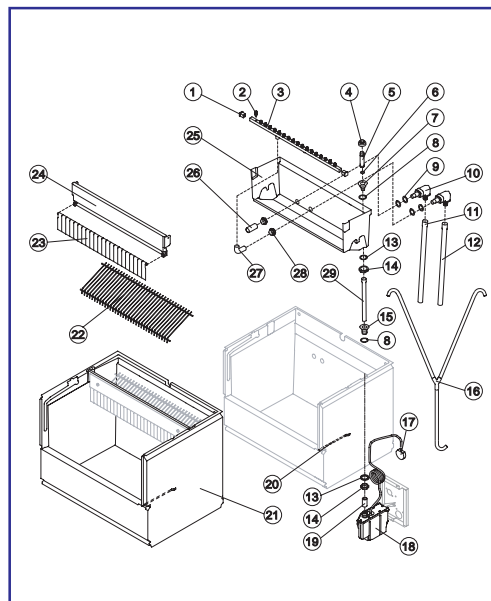
### COOLING SYSTEM



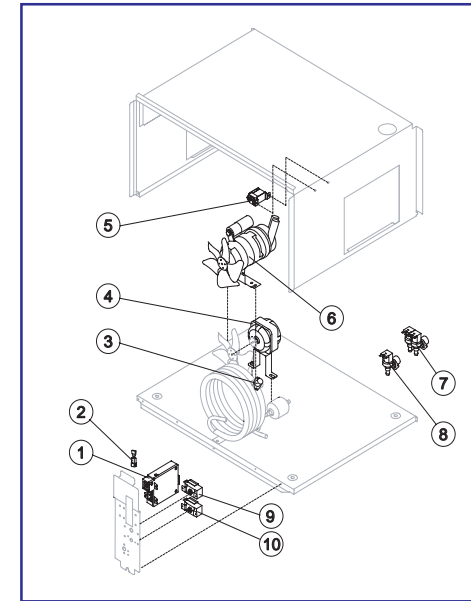
### HYDRAULIC CIRCUIT SL260A/W

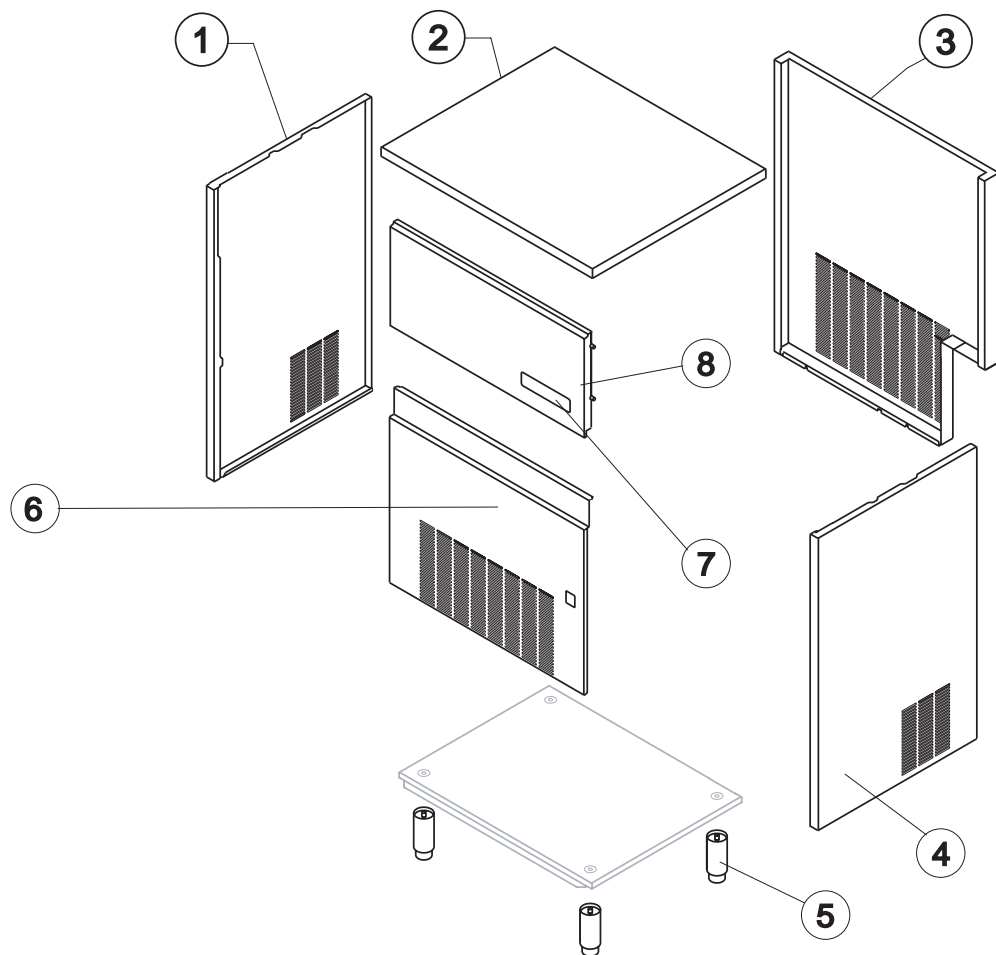


### HYDRAULIC CIRCUIT SL260A DP

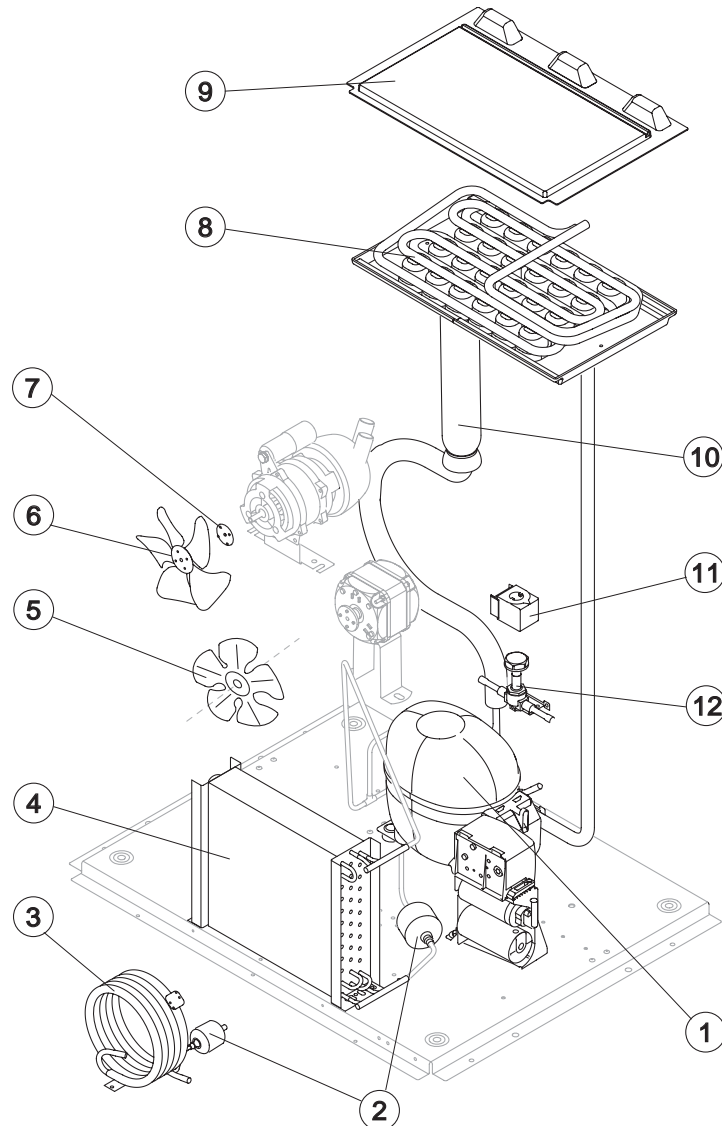


### ELECTRIC PARTS





Ref.	Spare Description	Code
1	Left Side Panel	221423
2	Top Assembly	C221427
3	Grey Rear Side Panel	C21407
4	Right Side Panel	221424
5	Adjustable Foot	20613
10	Front Panel	C221881
11	Door Assembly	C10362
12	Resinated Logo	241330



### Common Parts

Ref.	Spare Description	Code
1	Compressor	231196
2*	Solid Core Drier	141003
6	Sucking Fan	10213
7	Fan Fixing Hub	10014
8	Evaporator Assy	D10047
9	Evaporator Cover Panel	10514
10	Suction Line	for the spare parts code give us the s/n.
11*	Hot Gas Valve Coil	231294
12*	Hot Gas Valve Body	201129

### Parts for Air-Cooled Version Only

Ref.	Spare Description	Code
4	Air Condenser	201123
5	Sucking Fan	20153

### Parts for Water-Cooled Version Only

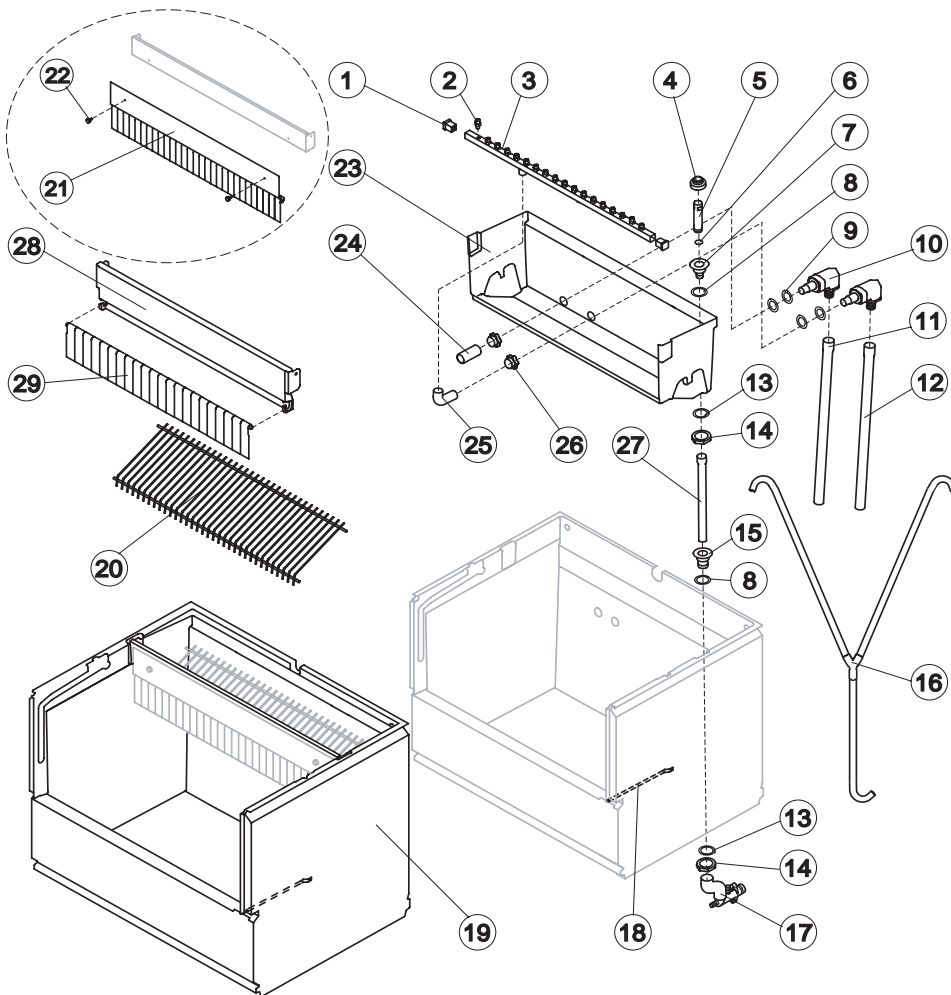
Ref.	Spare Description	Code
3	Water Condenser	14374

# SL 260 R290

# HYDRAULIC CIRCUIT

## SL 260A R290/ SL 260W R290

Rev. 00 - 23/05/2018



### Common Parts

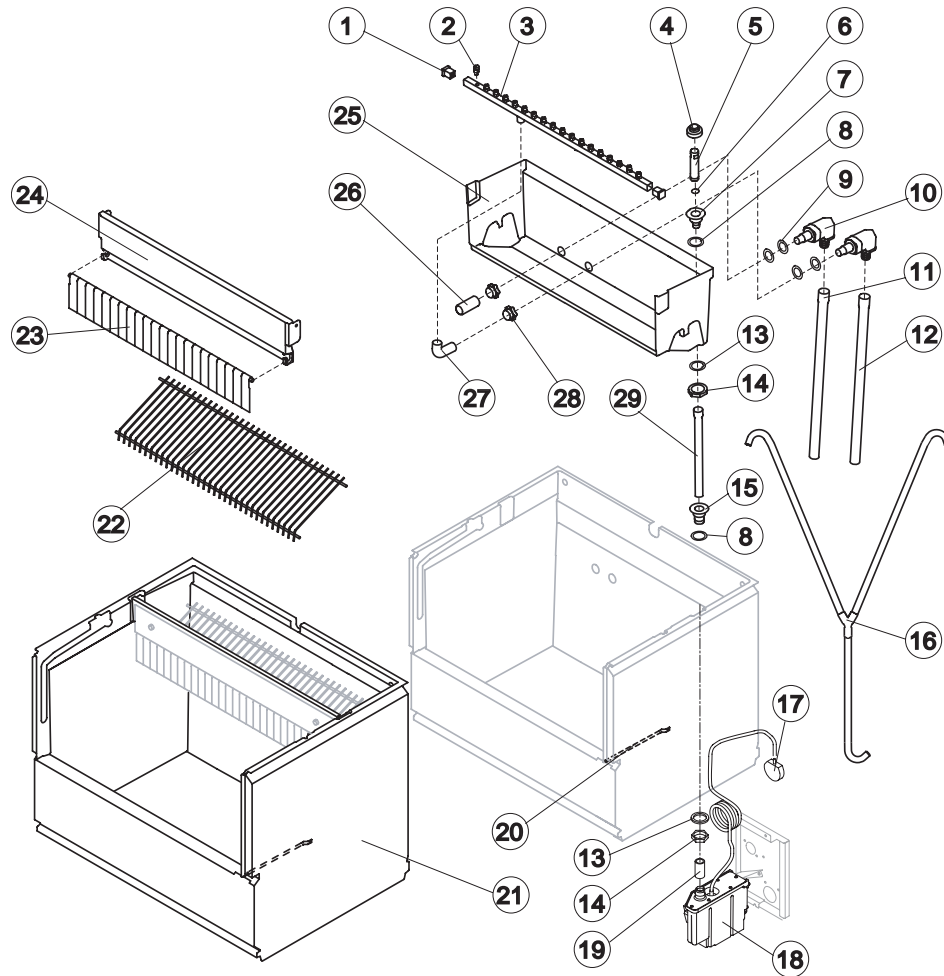
Ref.	Spare Description	Code
1	Sprayers Bar Plug	10012
2	Sprayer	D20002
3*	Sprayers Bar Assembly	C20058
4*	Overflow Cap	10305
5*	Overflow Pipe	10133
6*	OR Gasket for Overflow Pipe	20233
7	Overflow Pipe Nipple	10471
8	Silicone Gasket	13006
9	Gasket for Pump Suction/Delivery Pipes	13143
10	Insulated Pump Suction/Delivery Fitting	C10653
11	Insulated Pump Suction Pipe	C13175600
12	Insulated Pump Delivery Pipe	C13175600
13	Semirigid Polyethylene Gasket	13007
14	Bin Discharge Nut	10096
15	Water Outlet Nipple	10472
16*	Water Supply Pipe to the Evaporator	C13183
18	Bulbe-holder Pipe	20521
19	Complete Basin Assembly	RC11188
20*	Ice Cubes Slide	D12017
23	Inner Basin	10034
24	Pump Suction Filter	20005
25	Sprayers Feeding Pipe	13005
26	Fittings Locking Ring	10654
27*	Overflow Pipe	13110
28	Flags ABS Support	10760
29	Rod with Flags	C10775

### Parts for Air-Cooled Version Only

Ref.	Spare Description	Code
17	Discharges Manifold	C10006

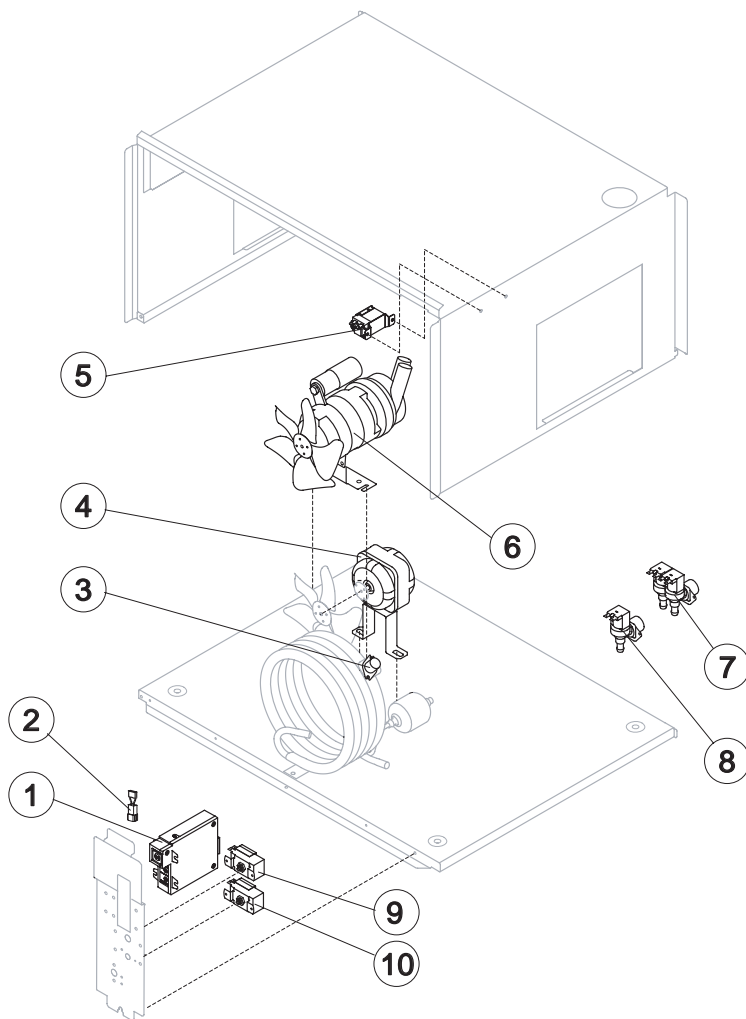
### Parts for Water-Cooled Version Only

Ref.	Spare Description	Code
17	Discharges Manifold	C26452



### Common Parts

Ref.	Spare Description	Code
1	Sprayers Bar Plug	10012
2	Sprayer	D20002
3*	Sprayers Bar Assembly	C20058
4*	Overflow Cap	10305
5*	Overflow Pipe	10133
6*	OR Gasket for Overflow Pipe	20233
7	Overflow Pipe Nipple	10471
8	Silicone Gasket	13006
9	Gasket for Pump Suction/Delivery Pipes	13143
10	Insulated Pump Suction/Delivery Fitting	C10653
11	Insulated Pump Suction Pipe	C13175600
12	Insulated Pump Delivery Pipe	C13175600
13	Semirigid Polyethylene Gasket	13007
14	Bin Discharge Nut	10096
15	Water Outlet Nipple	10472
16*	Water Supply Pipe to the Evaporator	C13183
17	Drain Pump Pressure Switch	C231230
18	Drain Pump	C231225
19	Bin Discharge-Drain Pump Connection	C13175190
20	Bulbe-holder Pipe	20521
21	Complete Basin Assembly	C111788
22*	Ice Cubes Slide	D12017
23	Rod with Flags	C10775
24	Flags ABS Support	10760
25	Inner Basin	10034
26	Pump Suction Filter	20005
27	Sprayers Feeding Pipe	13005
28	Fittings Locking Ring	10654
29*	Overflow Pipe	13110



### Common Parts

Ref.	Spare Description	Code
1*	Electronic Timer / On-Off (AWS)	R231154
9*	Bin Thermostat	R23005
5*	Condenser Pressure Switch	231123
6*	Pump Assembly	C23377
10*	Evaporator Thermostat	R23591

### Parts for Air-Cooled Version Only

Ref.	Spare Description	Code
2	Anti Radio Interference Filter	C23457
4*	Fan Motor	23067
8*	1 Way- Water Inlet Valve	23115

### Parts for Water-Cooled Version Only

Ref.	Spare Description	Code
2	Anti Radio Interference Filter	C23459
3*	Safety Thermostat	C23114
7*	2 Ways- Water Inlet Valve	23010