

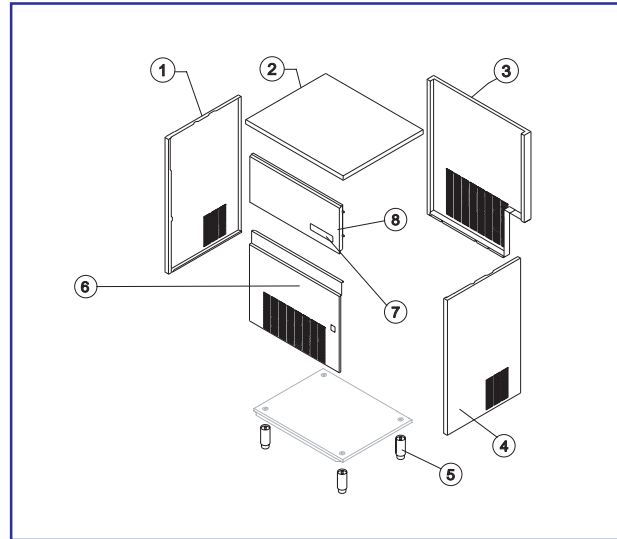
SL 180 R290

LIST OF THE EXPLODED VIEWS

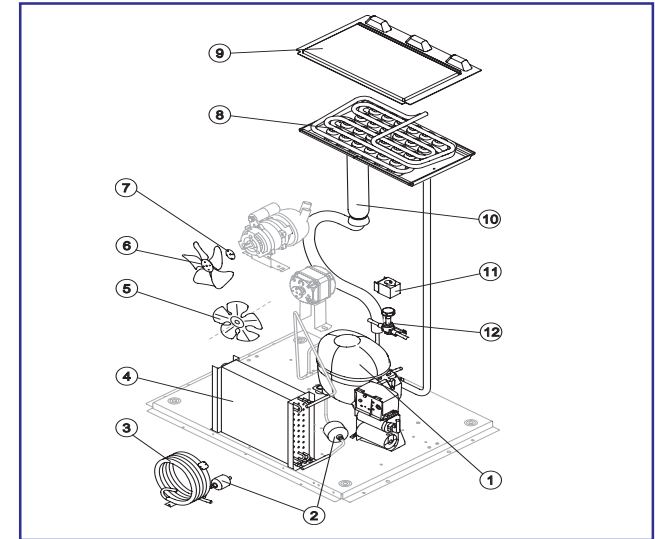
Rev. 00 - 06/07/2018



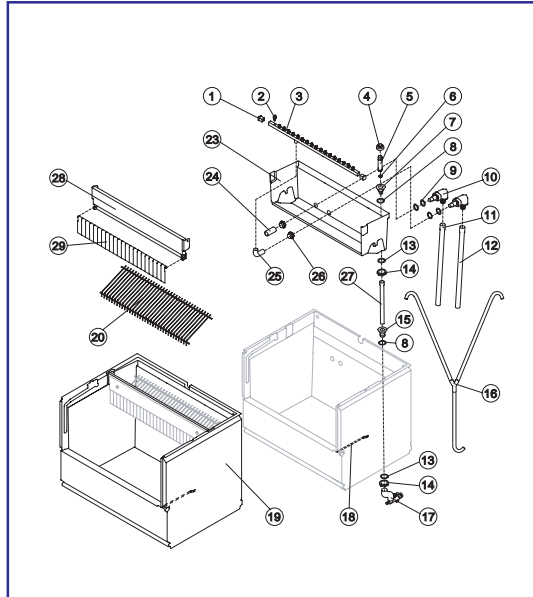
SHELL ASSY



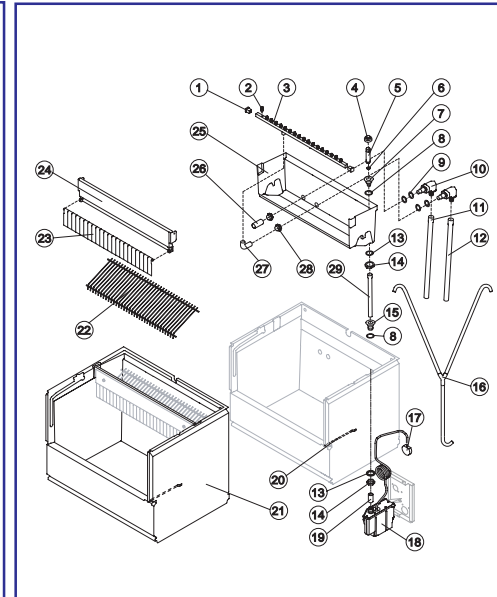
COOLING SYSTEM



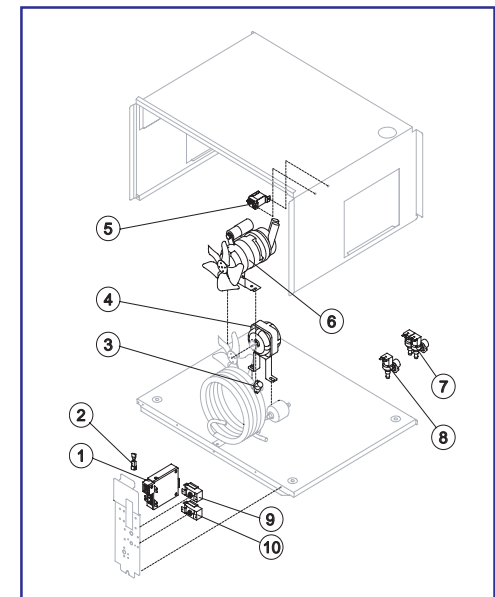
HYDRAULIC CIRCUIT SL140A/W

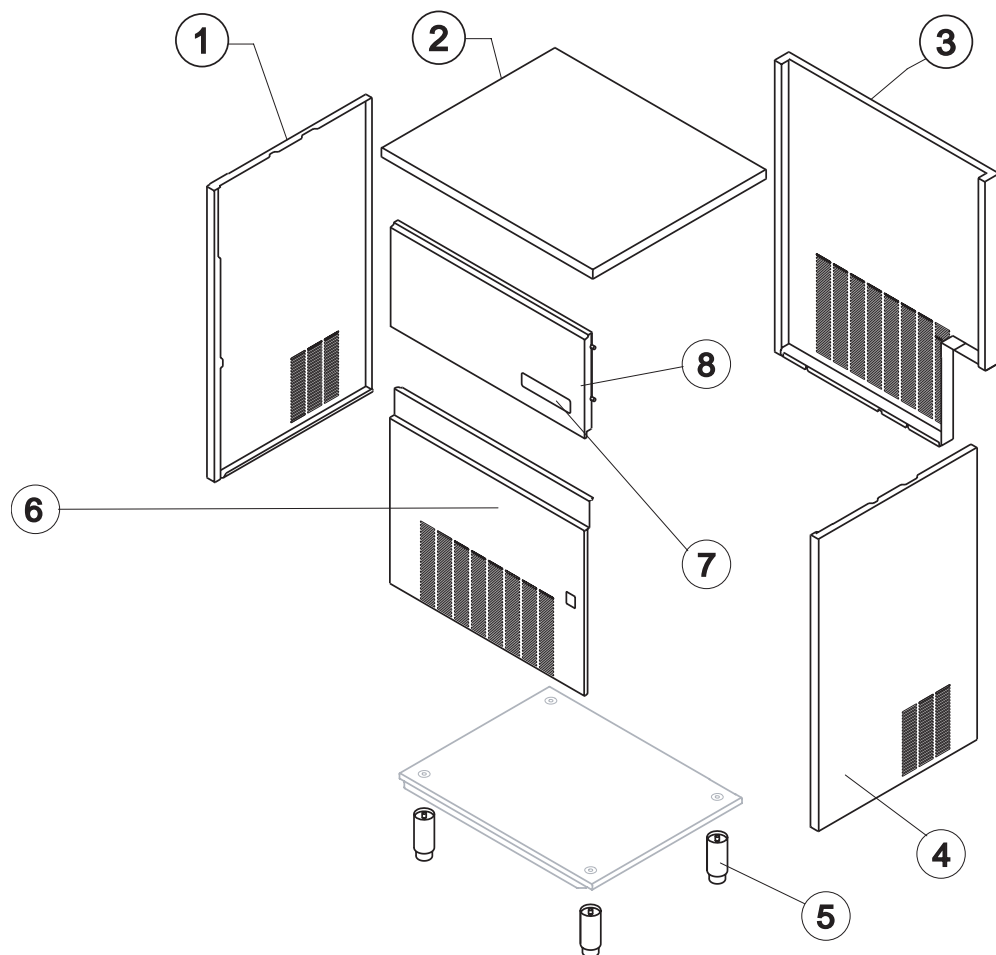


HYDRAULIC CIRCUIT SL140A DP

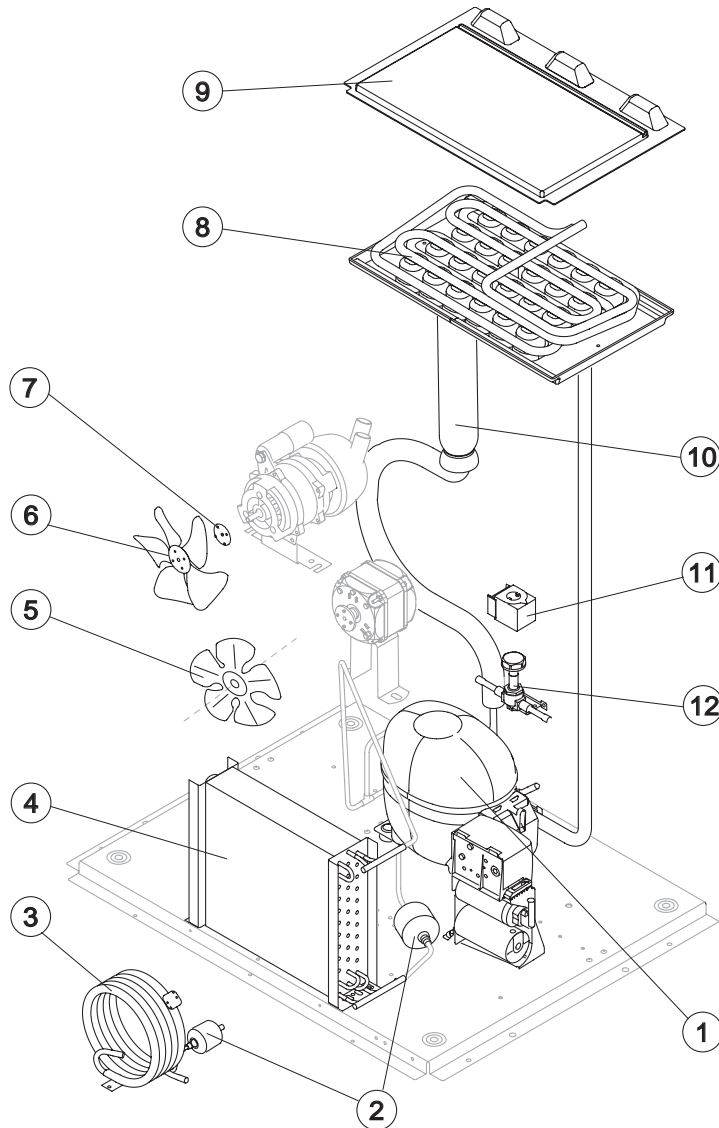


ELECTRIC PARTS





Ref.	Spare Description	Code
1	Left Side Panel	221421
2	Top Assembly	C221427
3	Grey Rear Side Panel	C21406
4	Right Side Panel	221422
5	Adjustable Foot	20613
6	Front Panel	C221880
7	Resinated Logo	241330
8	Door Assembly	C10362



Common Parts

Ref.	Spare Description	Code
1	Compressor	231253
2*	Solid Core Drier	141003
6	Sucking Fan	10213
7	Fan Fixing Hub	10014
8	Evaporator Assy	D10047
9	Evaporator Cover Panel	10514
10	Suction Line	for the spare parts code give us the s/n.
11*	Hot Gas Valve Coil	231294
12*	Hot Gas Valve Body	201129

Parts for Air-Cooled Version Only

Ref.	Spare Description	Code
4	Air Condenser	201223
5	Sucking Fan	20153

Parts for Water-Cooled Version Only

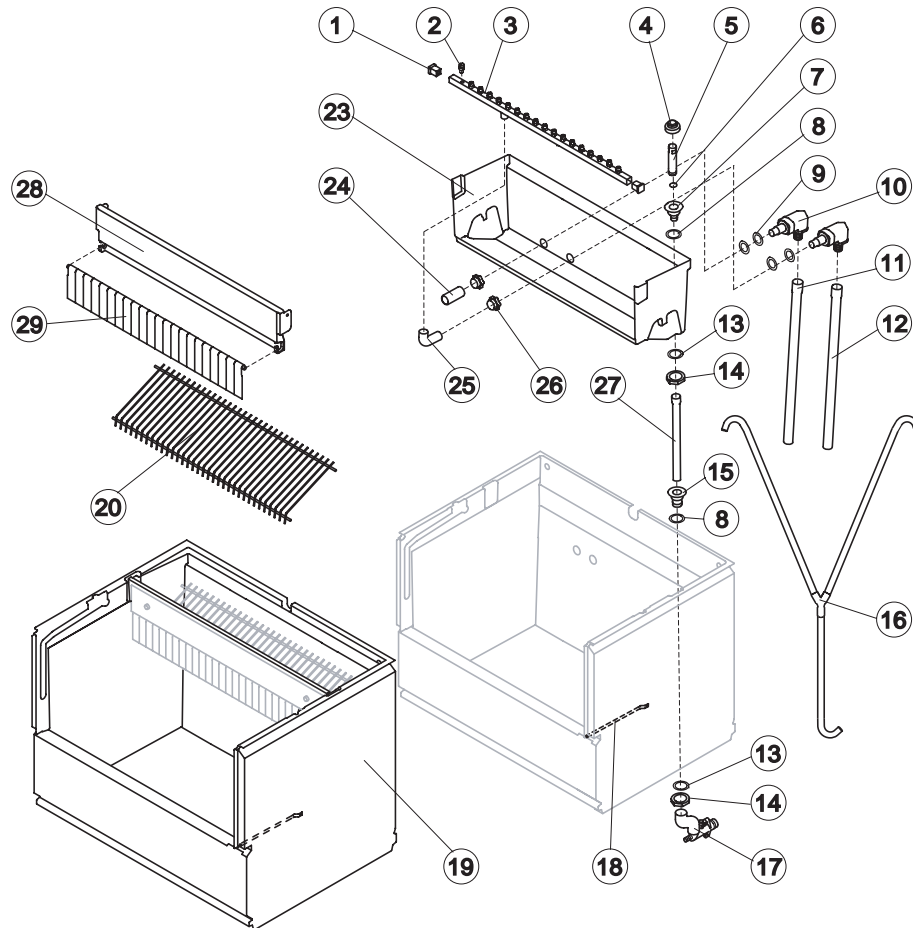
Ref.	Spare Description	Code
3	Water Condenser	14374

SL 180 R290

HYDRAULIC CIRCUIT

SL 180A R290/ SL 180W R290

Rev. 00 - 06/07/2018



Common Parts

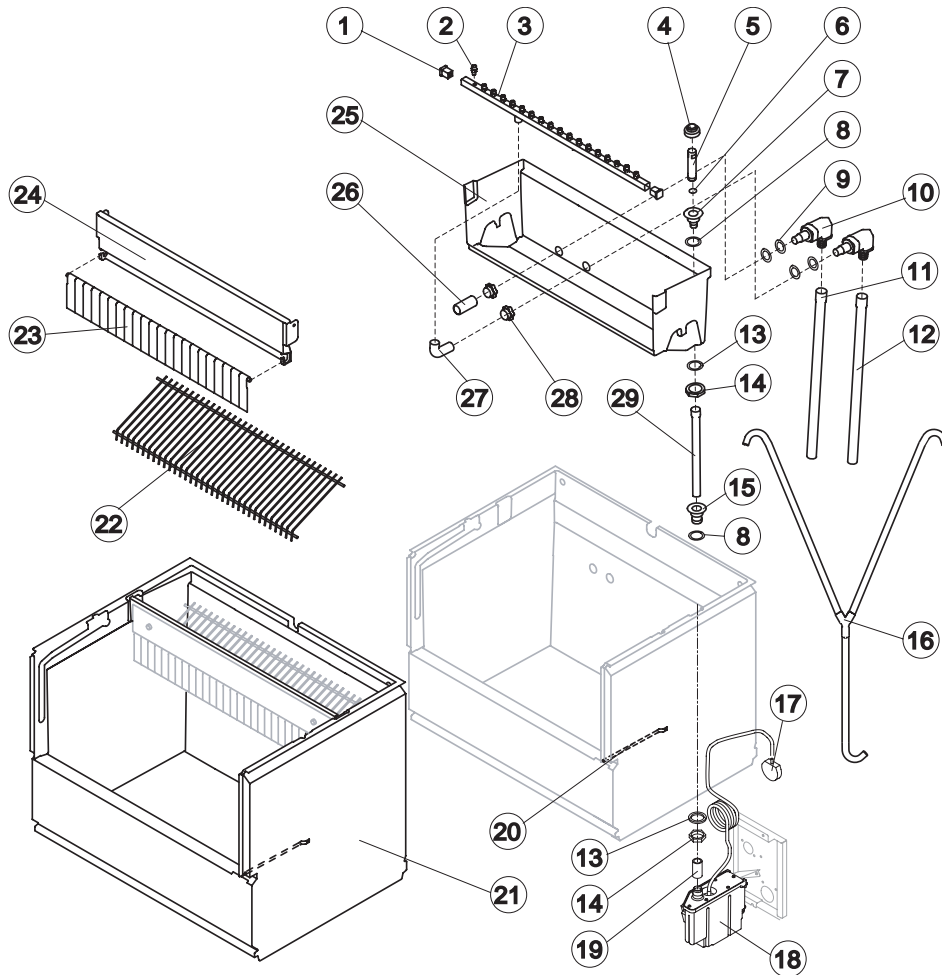
Ref.	Spare Description	Code
1	Sprayers Bar Plug	10012
2	Sprayer	D20002
3*	Sprayers Bar Assembly	C20058
4*	Overflow Cap	10305
5*	Overflow Pipe	10133
6*	OR Gasket for Overflow Pipe	20233
7	Overflow Pipe Nipple	10471
8	Silicone Gasket	13006
9	Gasket for Pump Suction/Delivery Pipes	13143
10	Insulated Pump Suction/Delivery Fitting	C10653
11	Insulated Pump Suction Pipe	C13175500
12	Insulated Pump Delivery Pipe	C13175500
13	Semirigid Polyethylene Gasket	13007
14	Bin Discharge Nut	10096
15	Water Outlet Nipple	10472
16*	Water Supply Pipe to the Evaporator	C13125
18	Bulbe-holder Pipe	20521
19	Complete Basin Assembly	RC11176
20*	Ice Cubes Slide	D12017
23	Inner Basin	10034
24	Pump Suction Filter	20005
25	Sprayers Feeding Pipe	13005
26	Fittings Locking Ring	10654
27*	Overflow Pipe	13109
28	Flags ABS Support	10760
29	Rod with Flags	C10775

Parts for Air-Cooled Version Only

Ref.	Spare Description	Code
17	Discharges Manifold	C10006

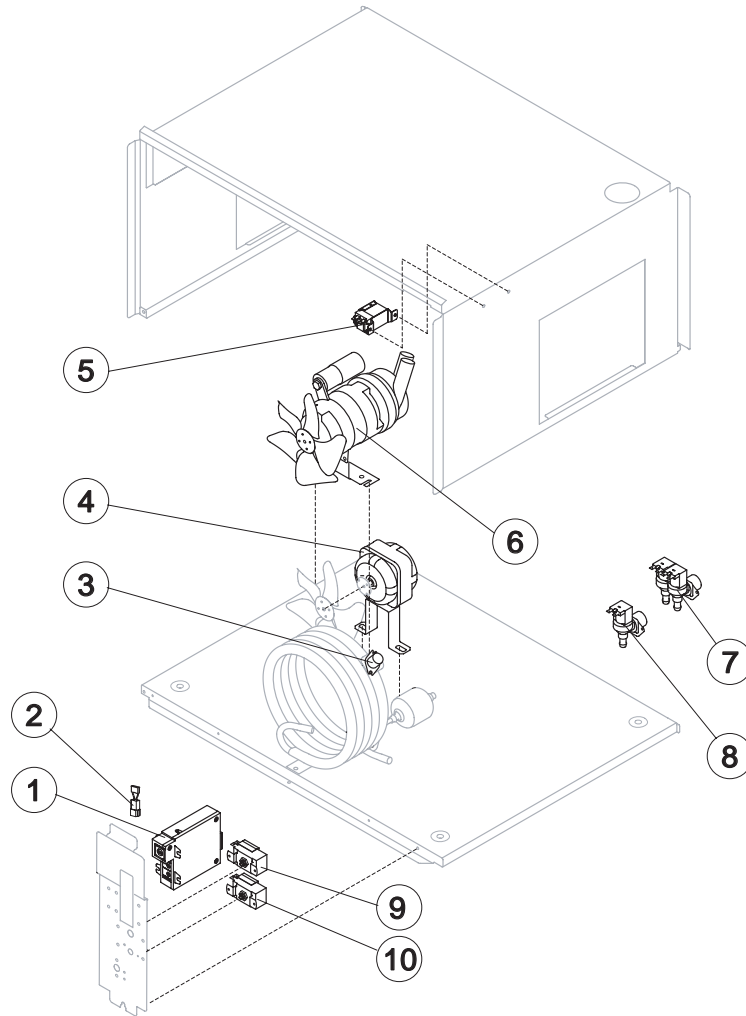
Parts for Water-Cooled Version Only

Ref.	Spare Description	Code
17	Discharges Manifold	C26452



Common Parts

Ref.	Spare Description	Code
1	Sprayers Bar Plug	10012
2	Sprayer	D20002
3*	Sprayers Bar Assembly	C20058
4*	Overflow Cap	10305
5*	Overflow Pipe	10133
6*	OR Gasket for Overflow Pipe	20233
7	Overflow Pipe Nipple	10471
8	Silicone Gasket	13006
9	Gasket for Pump Suction/Delivery Pipes	13143
10	Insulated Pump Suction/Delivery Fitting	C10653
11	Insulated Pump Suction Pipe	C13175500
12	Insulated Pump Delivery Pipe	C13175500
13	Semirigid Polyethylene Gasket	13007
14	Bin Discharge Nut	10096
15	Water Outlet Nipple	10472
16*	Water Supply Pipe to the Evaporator	C13125
17	Drain Pump Pressure Switch	C231230
18	Drain Pump	C231225
19	Bin Discharge-Drain Pump Connection	C13175190
20	Bulbe-holder Pipe	20521
21	Complete Basin Assembly	C11176
22*	Ice Cubes Slide	D12017
23	Rod with Flags	C10775
24	Flags ABS Support	10760
25	Inner Basin	10034
26	Pump Suction Filter	20005
27	Sprayers Feeding Pipe	13005
28	Fittings Locking Ring	10654
29*	Overflow Pipe	13109



Common Parts

Ref.	Spare Description	Code
1*	Electronic Timer / On-Off (AWS)	23327
5*	Condenser Pressure Switch	231123
6*	Pump Assembly	C23377
9*	Bin Thermostat	R23005
10*	Evaporator Thermostat	R23591

Parts for Air-Cooled Version Only

Ref.	Spare Description	Code
2	Anti Radio Interference Filter	Only 220V 50 Hz C23459
4*	Fan Motor	23067
8*	1 Way- Water Inlet Valve	23115

Parts for Water-Cooled Version Only

Ref.	Spare Description	Code
2	Anti Radio Interference Filter	Only 220V 50 Hz C23457
3*	Safety Thermostat	C23114
7*	2 Ways- Water Inlet Valve	23010