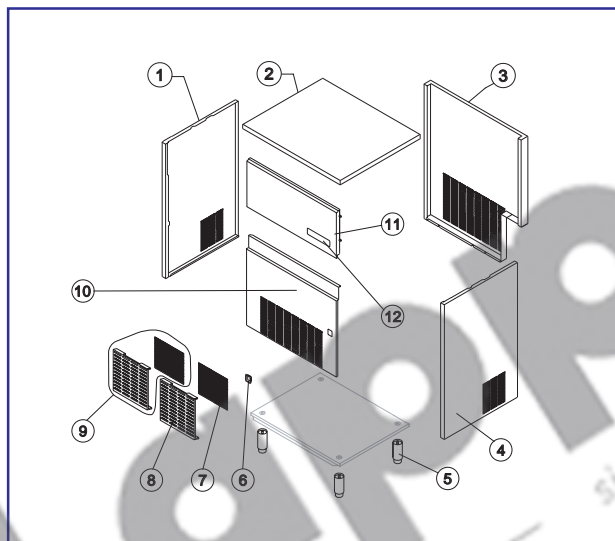


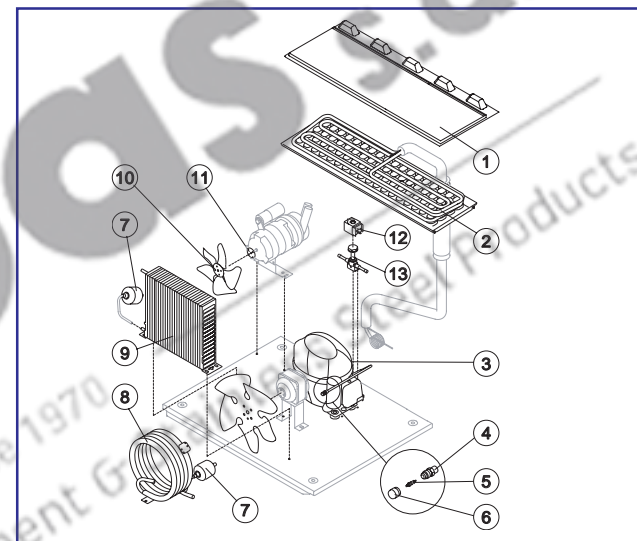
Rev. 0 - 25/11/2013



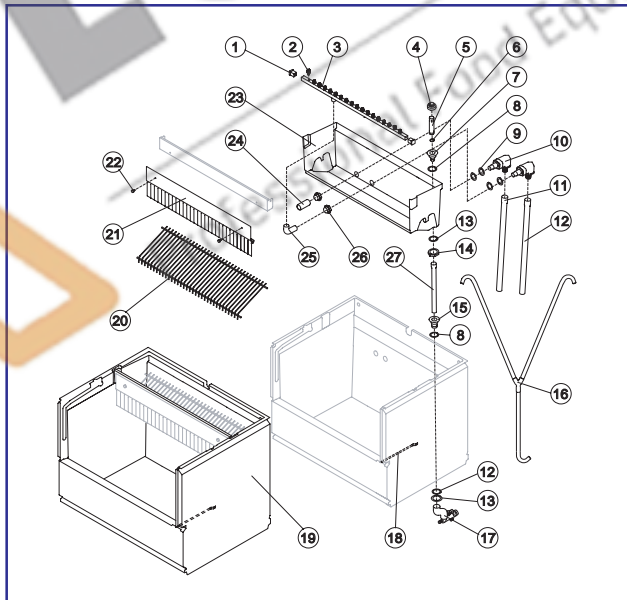
SHELL ASSY



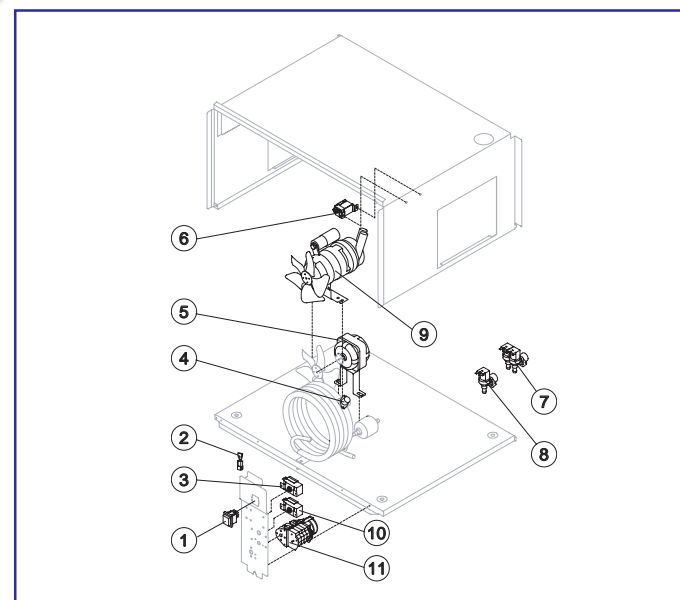
COOLING SYSTEM



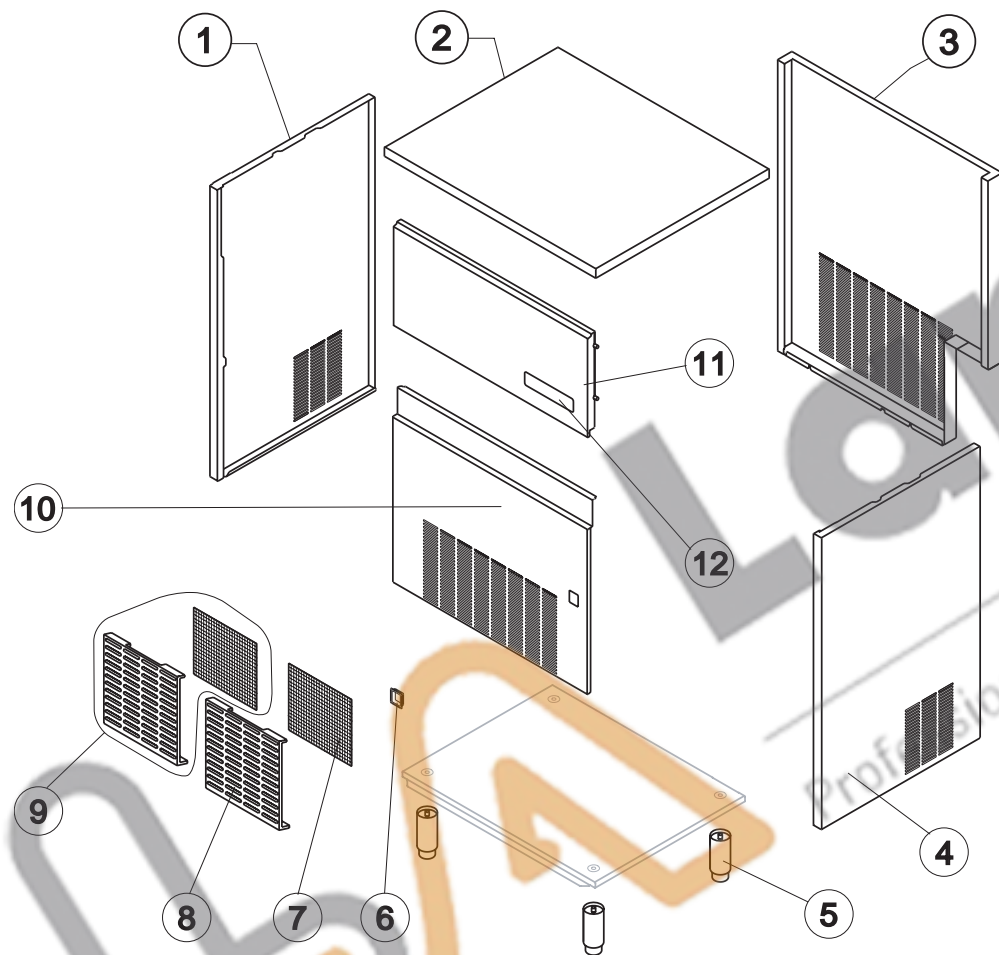
HYDRAULIC CIRCUIT



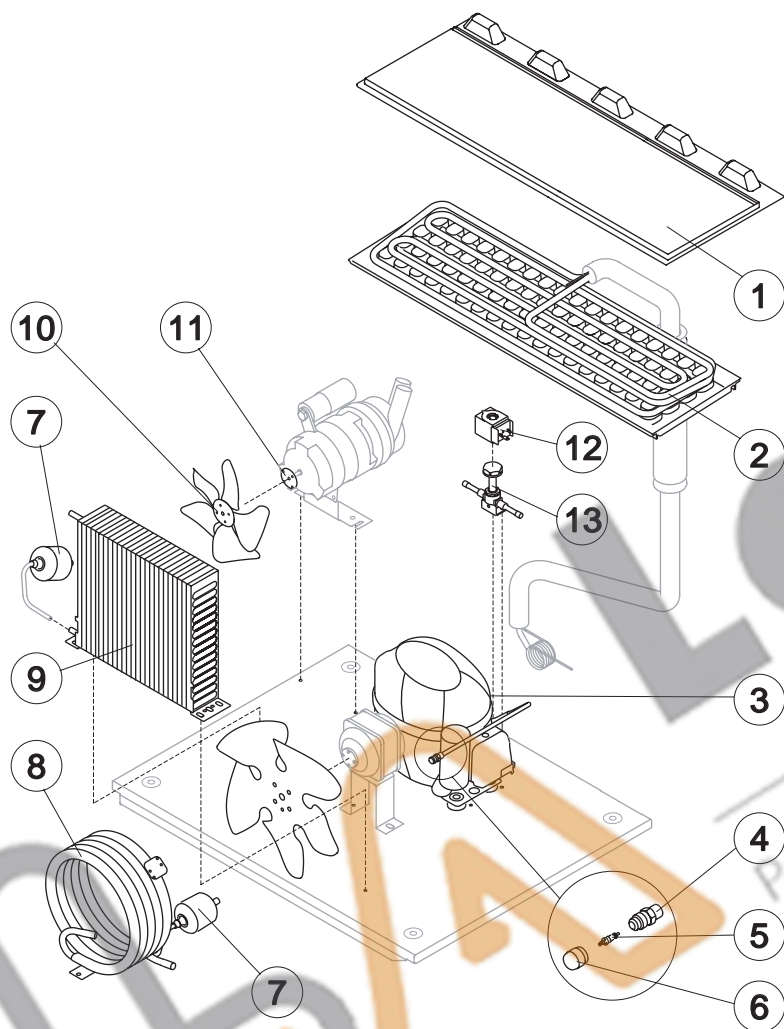
ELECTRIC PARTS



Rev. 0 - 25/11/2013



Ref.	Spare Description	Code
1	Left Side Panel	N221421
2	Top Assembly	NC221427
3	Grey Rear Side Panel	NC21406
4	Right Side Panel	N221422
5	Adjustable Foot	N20613
6	On-Off switch Frame	N10696
7	Filter	N18243
8	Grid	N10697
9	Grid Assembly	NC10697
10	Front Panel	NC221452
11	Door Assembly	NC10362
12	Resinated Logo	N241330



Common Parts

Ref.	Spare Description	Code
1	Evaporator Cover Panel	N10514
2	Evaporator Assy	See Table
3	Compressor	See Table
6*	Vacuum-Charge Valve Plug	N14006
5*	Vacuum-Charge Valve Device	N14005
4	Vacuum-Charge Valve Body	N14007
7*	Solid Core Drier	N14089
10	Sucking Fan	N10213
11	Fan Fixing Hub	N10014
12*	Hot Gas Valve Coil	N20410
13*	Hot Gas Valve Body	N23091

Parts for Air-Cooled Version Only

Ref.	Spare Description	Code
9	Air Condenser	N20558
12	Sucking Fan	N20031

Parts for Water-Cooled Version Only

Ref.	Spare Description	Code
8	Water Condenser	N14374

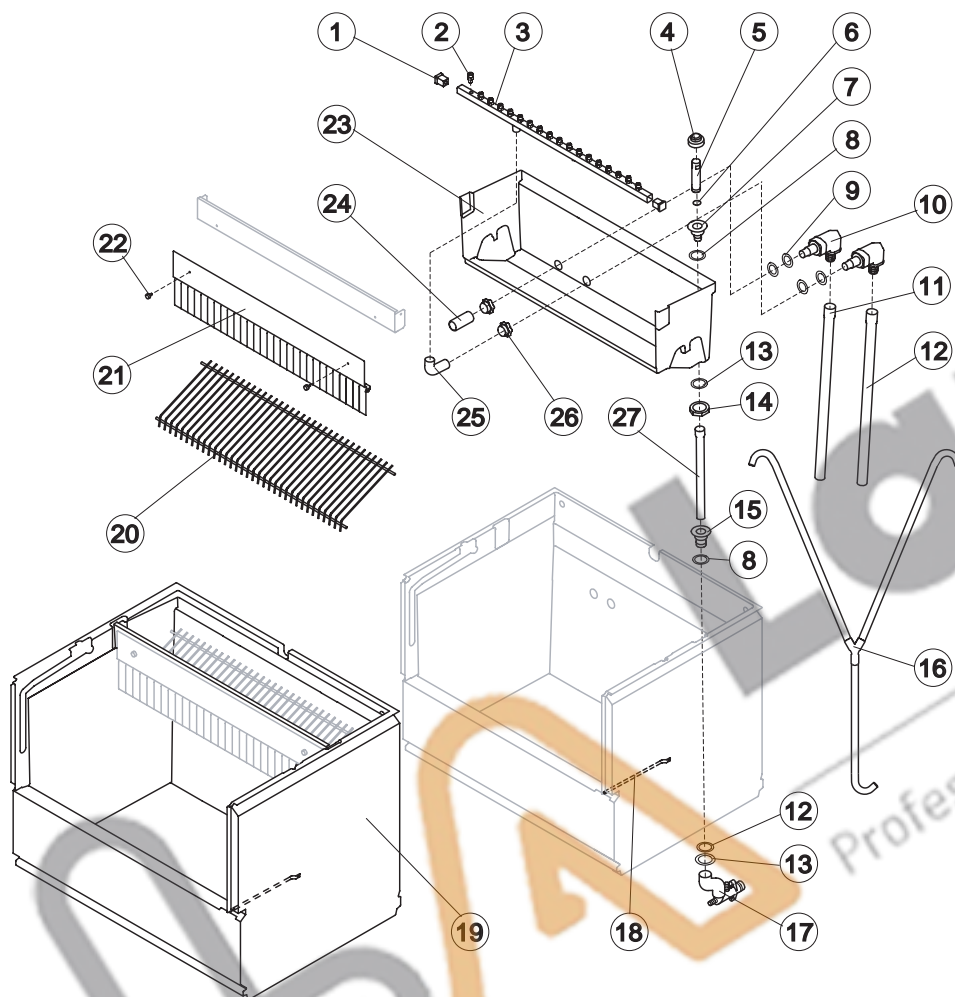
Ref. 2 - Evaporator

Kind of Cube	Code
17 g. (Standard)	ND10047
32 g.	ND10090
14 g.	ND10418
41 g.	ND10480

Ref. 3 - Compressor

Voltage	Code
220/240V 50 Hz	N23505A
220/230V 60 Hz	N23578A

Rev. 0 - 25/11/2013



Common Parts

Ref.	Spare Description	Code
1	Sprayers Bar Plug	N10012
2	Sprayer	ND20002
3*	Sprayers Bar Assembly	Vedi Tabella
4*	Overflow Cap	N10305
5*	Overflow Pipe	N10133
6*	OR Gasket for Overflow Pipe	N20233
7	Overflow Pipe Nipple	N10471
8	Silicone Gasket	N13006
9	Gasket for Pump Suction/Delivery Pipes	N13143
10	Insulated Pump Suction/Delivery Fitting	NC10653
11	Insulated Pump Suction Pipe	NC13175500
12	Insulated Pump Delivery Pipe	NC13175500
13	Semirigid Polyethylene Gasket	N13007
14	Bin Discharge Nut	N10096
15	Water Outlet Nipple	N10472
16*	Water Supply Pipe to the Evaporator	NC13125
18	Bulbe-holder Pipe	N20521
19	Complete Basin Assembly	NC11176
20*	Ice Cubes Slide	Vedi Tabella
21*	Flags Support Assy	NC22059
22	Special Screw Inox	N20009
23	Inner Basin	N10034
24	Pump Suction Filter	N20005
25	Sprayers Feeding Pipe	N13005
26	Fittings Locking Ring	N10654
27*	Overflow Pipe	N13109

Parts for Air-Cooled Version Only

Ref.	Spare Description	Code
17	Discharges Manifold	NC10006

Parts for Water-Cooled Version Only

Ref.	Spare Description	Code
17	Discharges Manifold	NC26452

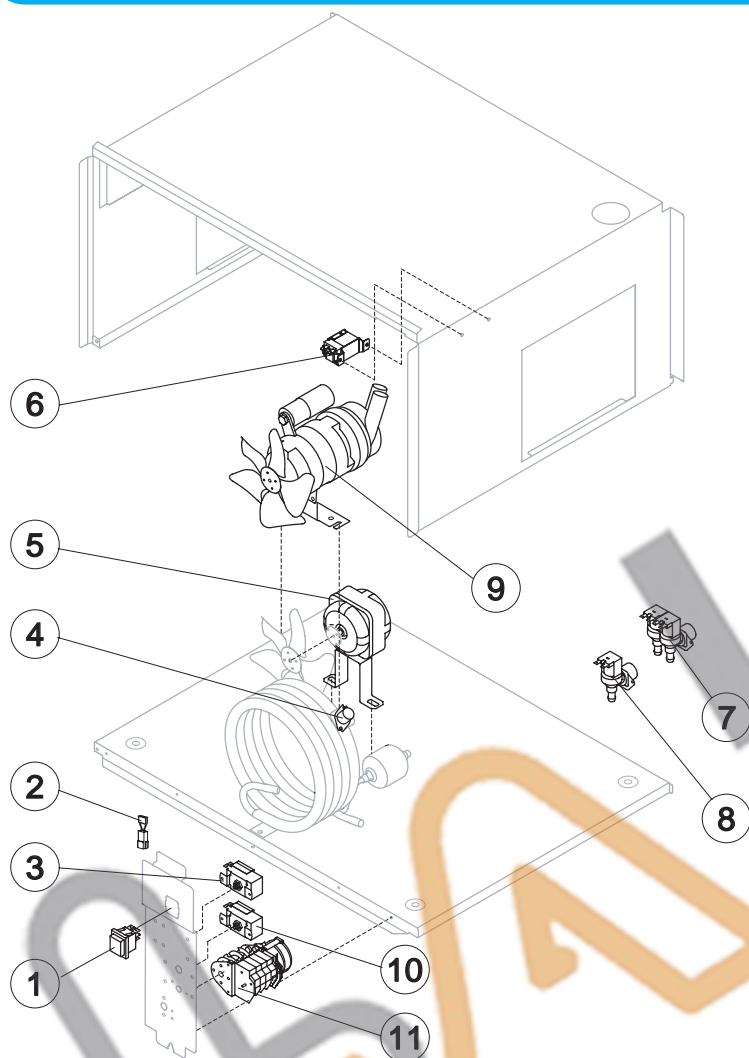
Ref. 3* - Sprayers Bar Assembly

Kind of Cube	Code
17 g. (Standard)	NC20058
32 g.	NC20156
14 g.	NC20190
41 g.	NC20802

Ref. 20* - Ice Cubes Slide

Kind of Cube	Code
17 g. (Standard)	ND12017
32 g.	ND12031
14 g.	ND12039
41 g.	ND12071

Rev. 0 - 25/11/2013



Common Parts

Ref.	Spare Description	Code
1*	Green Light Switch (On-Off)	N23327
2	Anti Radio Interference Filter	Only 220V 50 Hz NC23458
3*	Bin Thermostat	NR23005
6*	Condenser Pressure Switch	N23175
9*	Pump Assembly	See Table
10*	Evaporator Thermostat	NR23591
11*	Timer	See Table

Parts for Air-Cooled Version Only

Ref.	Spare Description	Code
5*	Fan Motor	See Table
8*	1 Way- Water Inlet Valve	See Table

Parts for Water-Cooled Version Only

Ref.	Spare Description	Code
4*	Safety Thermostat	NC23114
7*	2 Ways- Water Inlet Valve	See Table

Ref. 5* - Fan Motor

Tensione	Codice
220/240V 50Hz	N23067
220/230V 60Hz	N23681

Rif. 7* - 2 Ways - Water Inlet Valve

Tensione	Cub. 17g/14g	Cub. 32g	Cub. 41g
220/240V 50 Hz	N23010	N23010	N23781
220/230V 60 Hz	N23010	N23781	N23781

Ref. 9* - Pump Assembly

Tensione	Codice
220/240V 50Hz	NC23462
220/230V 60Hz	NC23377

Ref. 8* - 1 Way- Water Inlet Valve

Tensione	Cub. 17g/14g	Cub. 32g	Cub. 41g
220/240V 50 Hz	N23001	N23001	N23220
220/230V 60 Hz	N23001	N23220	N23220

Ref. 11* - Timer

Tensione	Cub. 17g	Cub. 32g	Cub. 14g	Cub.41g
220/240V 50 Hz	N23222	N23248	N23247	N23780
220/230V 60 Hz	N231078	N231080	N231077	N231080