

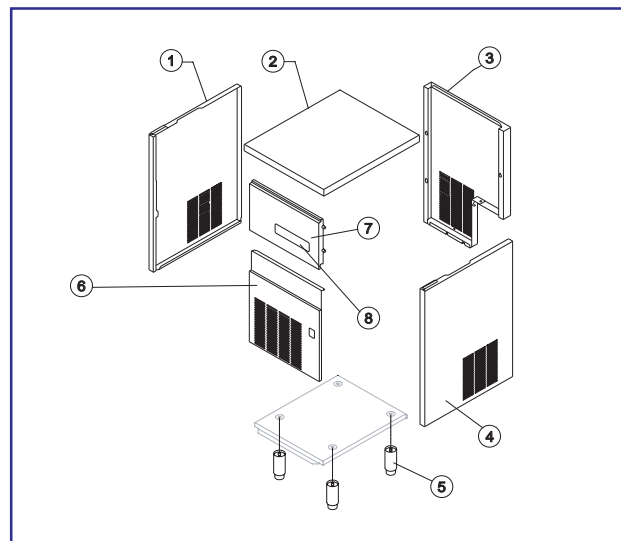
# SL 110 R290

# LIST OF THE EXPLODED VIEWS

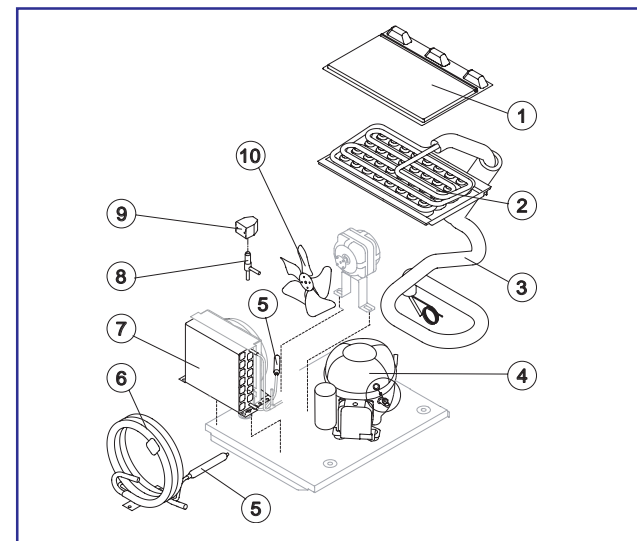
Rev. 00 - 28/05/2018



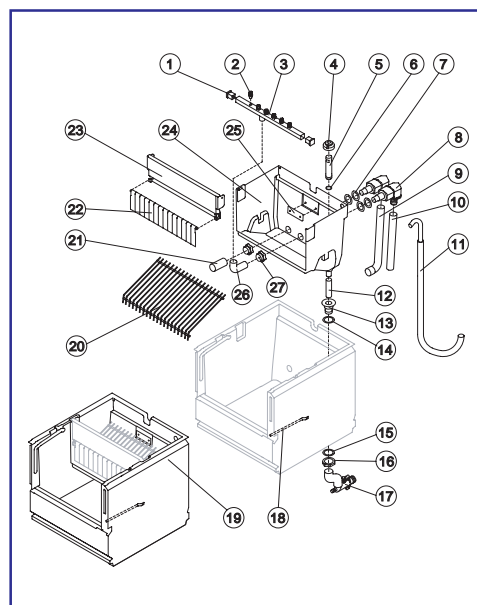
### SHELL ASSY



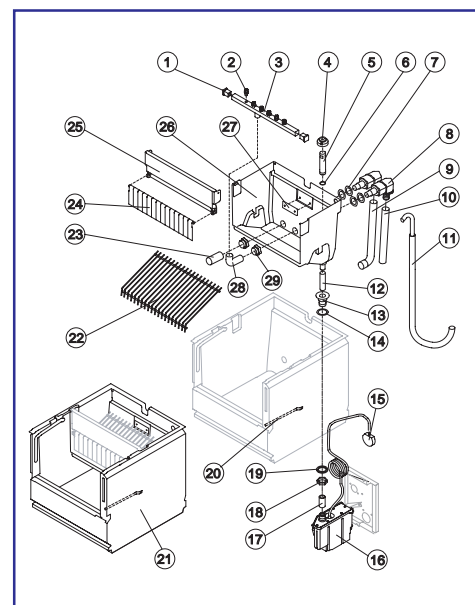
### COOLING SYSTEM



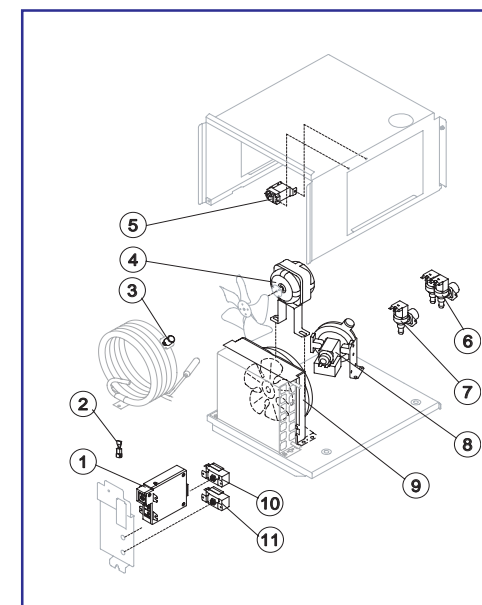
### HYDRAULIC CIRCUIT SL110A/W



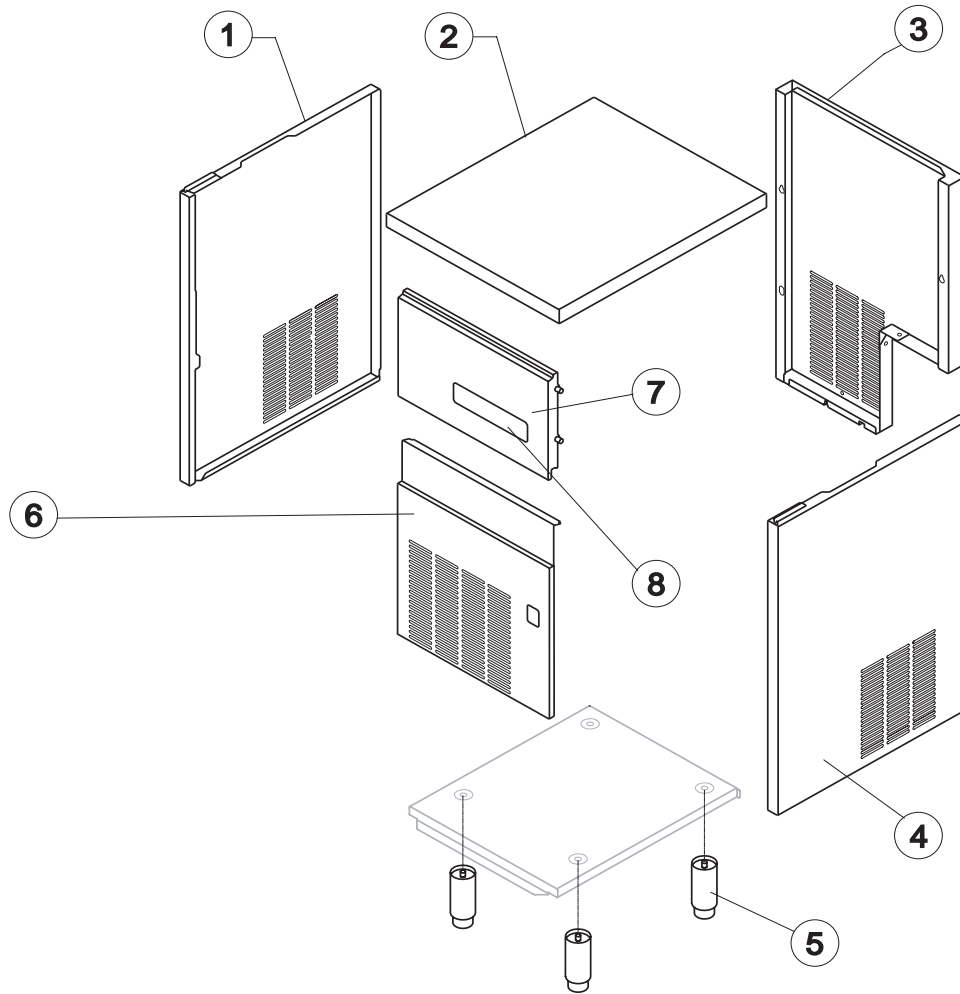
### HYDRAULIC CIRCUIT SL110A DP



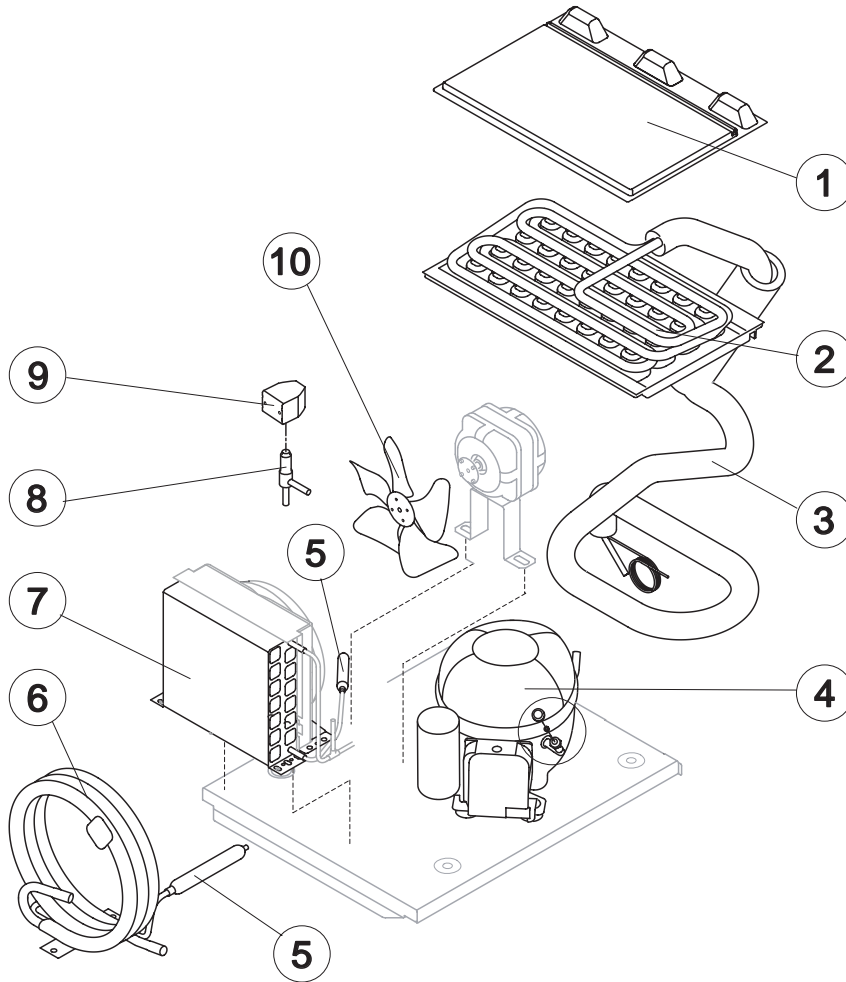
### ELECTRIC PARTS



Rev. 00 - 28/05/2018



Ref.	Spare Description	Code
1	Left Side Panel	221419
2	Top Assembly	C221428
3	Grey Rear Side Panel	C21402
4	Right Side Panel	221420
5	Foot	20613
6	Front Panel	C221809
7	Door Assembly	C10358
8	Resinated Logo	241330



### Common Parts

Ref.	Spare Description	Code
1	Evaporator Cover Panel	10513
2	Evaporator Assy	D10046
3	Suction Line	for the spare parts code give us the s/n.
4	Compressore	231171
5*	Molecular Drier	14009
8*	Hot Gas Valve Body	201129
9*	Hot Gas Valve Coil	231294

### Parts for Air-Cooled Version Only

Ref.	Spare Description	Code
7	Air Condenser	201238

### Parts for Water-Cooled Version Only

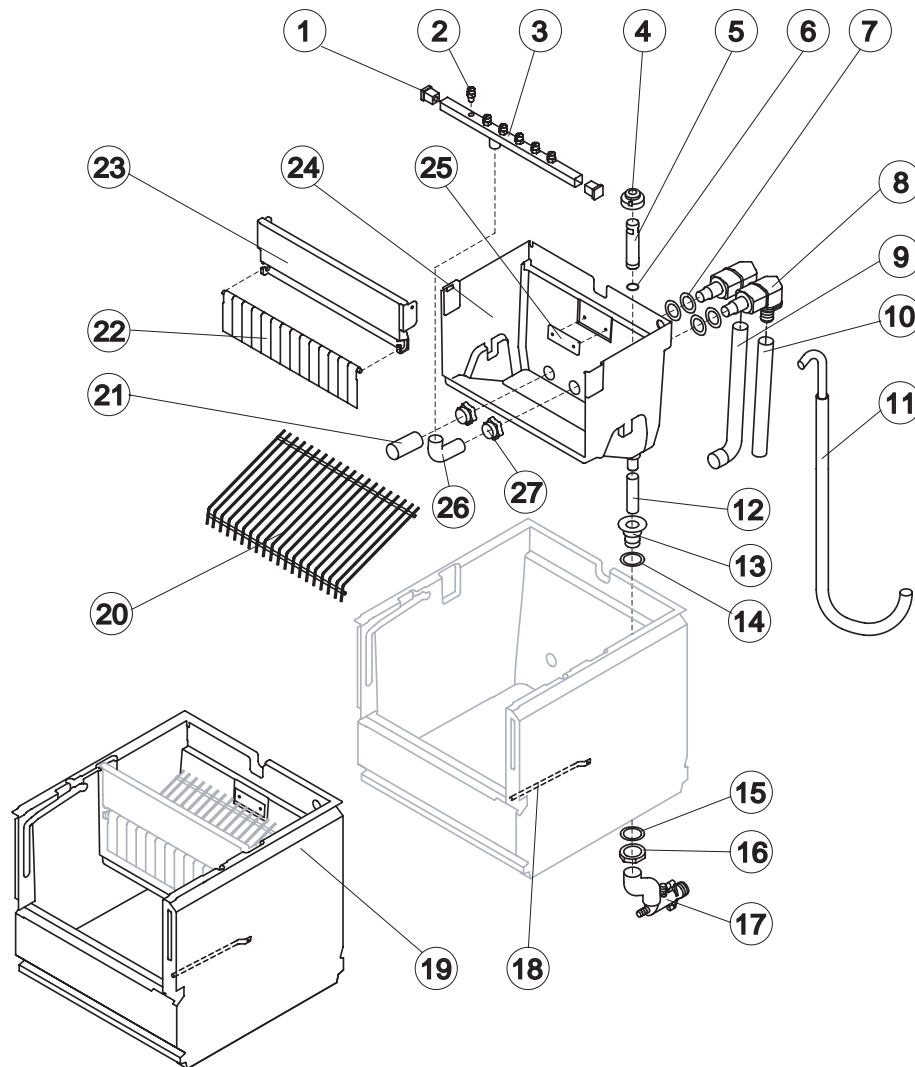
Ref.	Spare Description	Code
6	Water Condenser	14374
10	Suction Fan	10213

# SL 110 R290

# HYDRAULIC CIRCUIT

## SL 110A R290/ SL 110W R290

Rev. 00 - 28/05/2018



### Common Parts

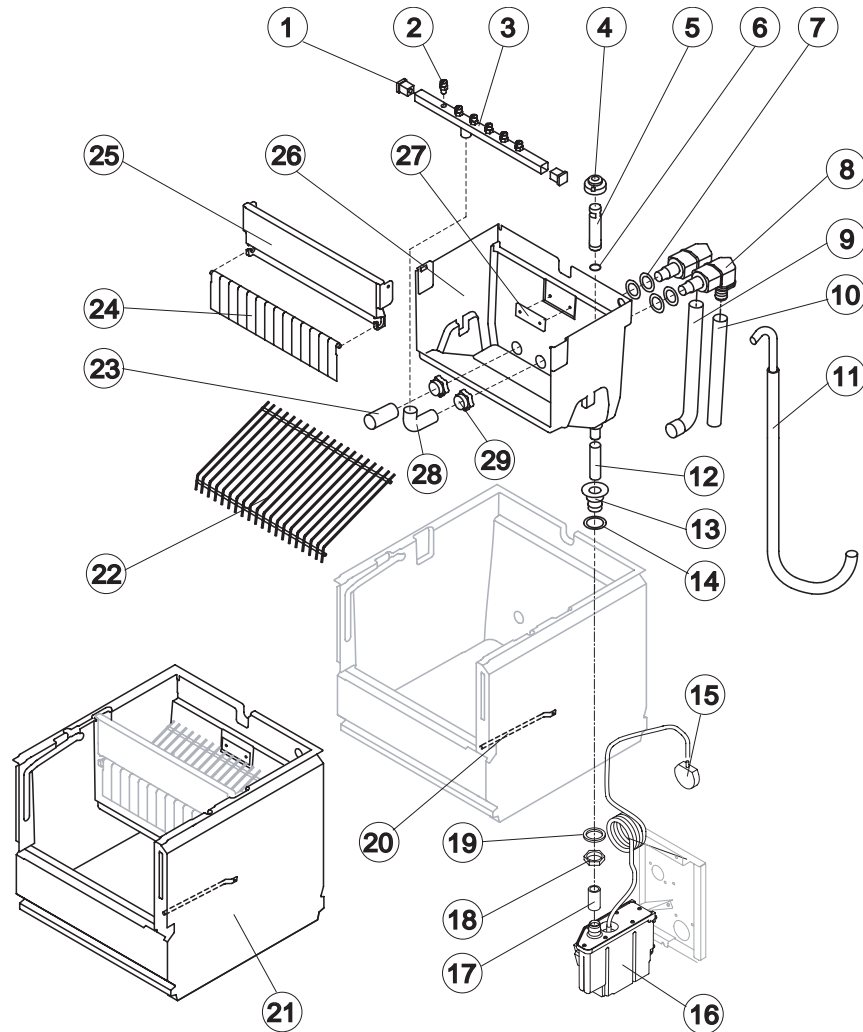
Ref.	Spare Description	Code
1	Sprayers Bar Plug	10012
2	Sprayer	D20002
3*	Sprayers Bar Assembly	C201070
4*	Overflow Cap	10305
5*	Overflow Pipe	10133
6*	OR Gasket for Overflow Pipe	20233
7	Gasket for Pump Suction/Delivery Pipes	13143
8	Insulated Pump Suction/Delivery Fitting	C10653
9	Insulated Pump Suction Pipe	C13174
10	Insulated Pump Delivery Pipe	C13175520
11*	Water Supply Pipe to the Evaporator	C13186
12*	Overflow Pipe	13108
13	Water Outlet Nipple	10472
14	Silicone Gasket	13006
15	Semirigid Polyethylene Gasket	13007
16	Bin Discharge Nut	10096
18	Bulbe-holder Pipe	20522
19	Complete Basin Assembly	C11187
20*	Ice Cubes Slide	D12008
21*	Pump Suction Filter	20005
22	Rod with Flags	C10534
23	Flags ABS Support	10526
24	Inner Basin	10253
25	Slide Keep Plate	10009
26	Sprayers Feeding Pipe	13005
27	Fittings Locking Ring	10654

### Parts for Air-Cooled Version Only

Ref.	Spare Description	Code
17	Discharges Manifold	C10006

### Parts for Water-Cooled Version Only

Ref.	Spare Description	Code
17	Discharges Manifold	C26452



### Common Parts

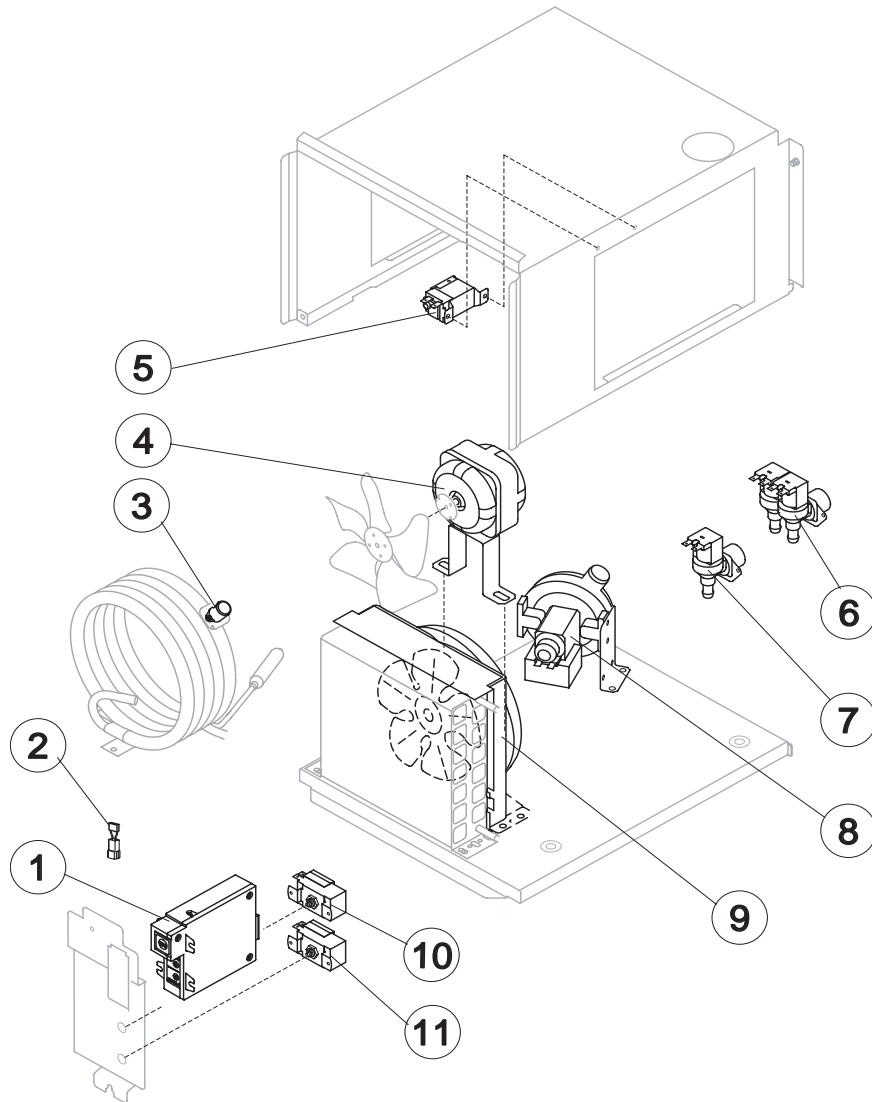
Ref.	Spare Description	Code
1	Sprayers Bar Plug	10012
2	Sprayer	D20002
3*	Sprayers Bar Assembly	C201070
4*	Overflow Cap	10305
5*	Overflow Pipe	10133
6*	OR Gasket for Overflow Pipe	20233
7	Gasket for Pump Suction/Delivery Pipes	13143
8	Insulated Pump Suction/Delivery Fitting	C10653
9	Insulated Pump Suction Pipe	C13174
10	Insulated Pump Delivery Pipe	C13175520
11*	Water Supply Pipe to the Evaporator	C13186
12*	Overflow Pipe	13108
13	Water Outlet Nipple	10472
14	Silicone Gasket	13006
15	Drain Pump Pressure Switch	C231230
16	Drain Pump	C231225
17	Bin Discharge-Drain Pump Connection	C13175100
18	Bin Discharge Nut	10096
19	Semirigid Polyethylene Gasket	13007
20	Bulbe-holder Pipe	20522
21	Complete Basin Assembly	C11187
22*	Ice Cubes Slide	D12008
23*	Pump Suction Filter	20005
24	Rod with Flags	C10534
25	Flags ABS Support	10526
26	Inner Basin	10253
27	Slide Keep Plate	10009
28	Sprayers Feeding Pipe	13005
29	Fittings Locking Ringa	10654

# SL 110 R290

# ELECTRIC PARTS

## SL 110A R290/ SL 110W R290/ SL 110A R290DP

Rev. 00 - 28/05/2018



### Common Parts

Ref.	Spare Description	Code
1*	Electronic Timer / On-Off (AWS)	R231154
5*	Condenser Pressure Switch	231123
8*	Pump Assembly	C231016
10*	Bin Thermostat	R23005
11*	Evaporator Thermostat	R23591

### Parts for Air-Cooled Version Only

Ref.	Spare Description	Code
2	Anti Radio Interference Filter	C23459
7*	1 Way- Water Inlet Valve	23115
9*	Fan Motor	231324

### Parts for Water-Cooled Version Only

Ref.	Spare Description	Code
2	Anti Radio Interference Filter	C23457
3*	Safety Thermostat	C23114
4*	Fan Motor	23029
6*	2 Ways- Water Inlet Valve	23116