



IFT 54

LIST OF EXPLODED VIEWS



SHELL ASSY

COOLING SYSTEM

HYDRAULIC CIRCUIT

EVAPORATOR SUPPORT

ELECTRIC PARTS

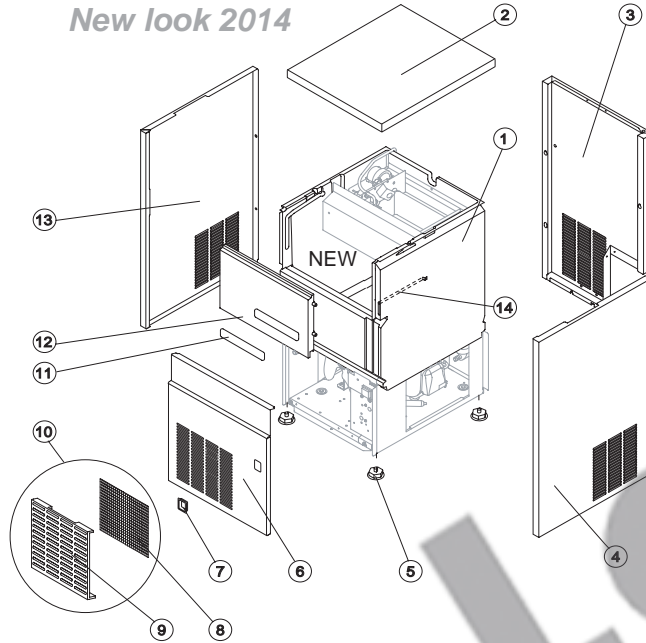
Rev. 3 - 08/06/2015



IFT 54

SHELL ASSY

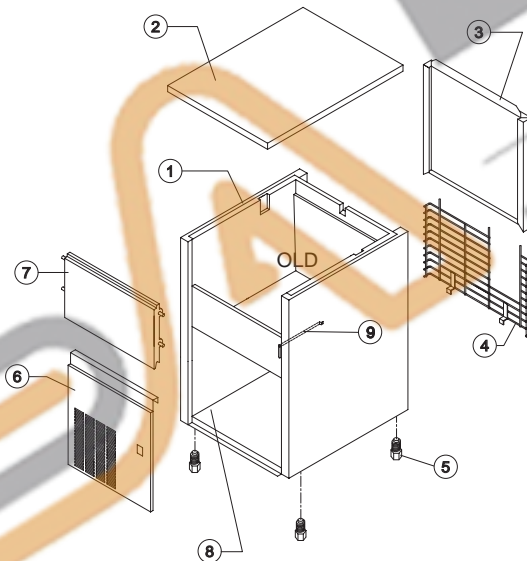
New look 2014



New version

Ref.	Spare Description	Code
1	Foamed Basin	NC11135
2	Top Assembly	NC221374
3	Grey Rear Side Panel	NC21408
4	Right Side Panel	N221412
5	Foot	N10557
6	Front Panel	NC221479
7	On-Off switch Frame	N10696
8	Filter	N18243
9	Grid	N10697
10	Grid Assembly	NC10697
11	Resinated Logo	N241330
12	Door Assembly	NC10358
13	Left Side Panel	N221411
14	Bulbe-Holder Pipe	N20995

Rev. 3 - 08/06/2015



Old version

Ref.	Spare Description	Code
1	Foamed Cabinet Assy	NC11155
2	Top Assembly	NC22144
3	Rear Panel Assembly	NC21180
4	Rear Grid	ND12002
5	Foot	N10017
6	Front Grid Panel	N22542
7	Door Assy	NC10358
8	Base Plate	N21001
9	Bulbe-holder Pipe	N20520



Common Parts

Ref.	Spare Description	Code
3*	Molecular Drier	N14009
5	Evaporator Cover Panel	N10486
6	Evaporator	ND14687
7	Compressor	N23886
8*	Hot Gas Valve Coil	N23091
9*	Hot Gas Valve Body	N20410
10*	Vacuum-Charge Valve Plug	N14006
11*	Vacuum-Charge Valve Device	N14005
12	Vacuum-Charge Valve Body	N14007

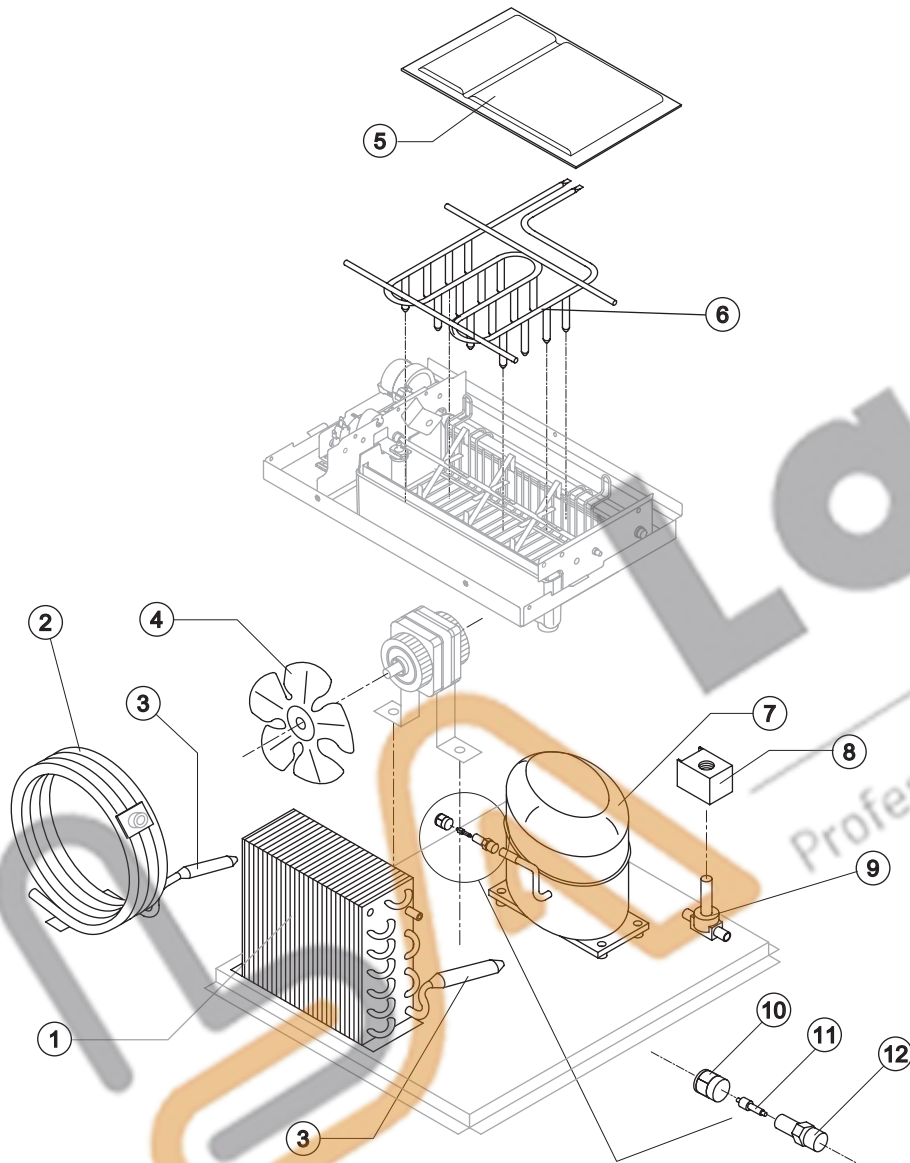
Parts for Air-Cooled Version Only

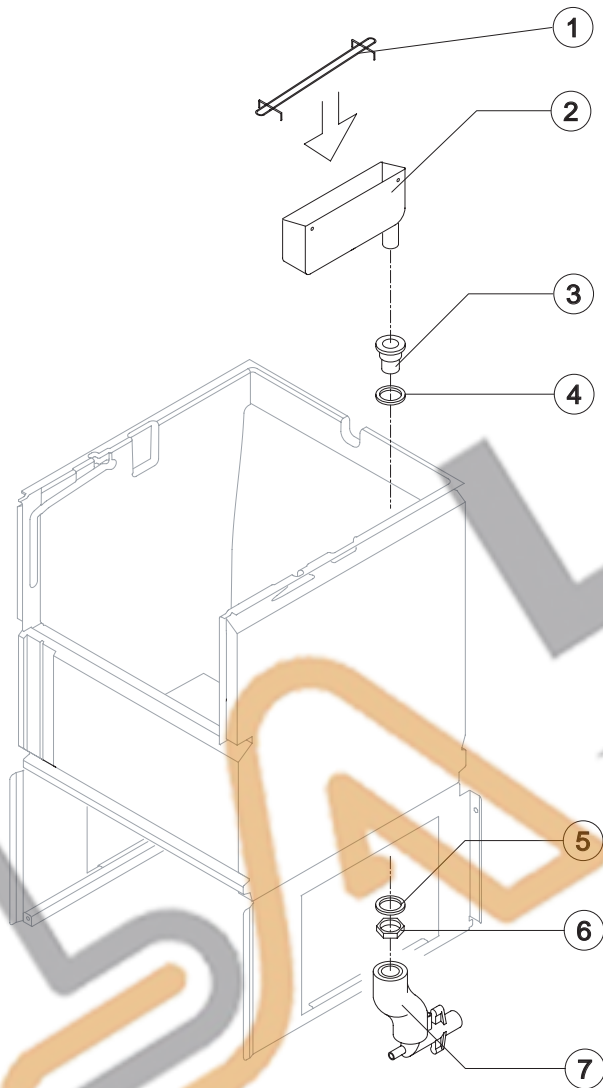
Ref.	Spare Description	Code
1	Air Condenser	N20534
4	Sucking Fan	N20095

Parts for Water-Cooled Version Only

Ref.	Spare Description	Code
2	Water Condenser	N14057

Rev. 3 - 08/06/2015





Common Parts

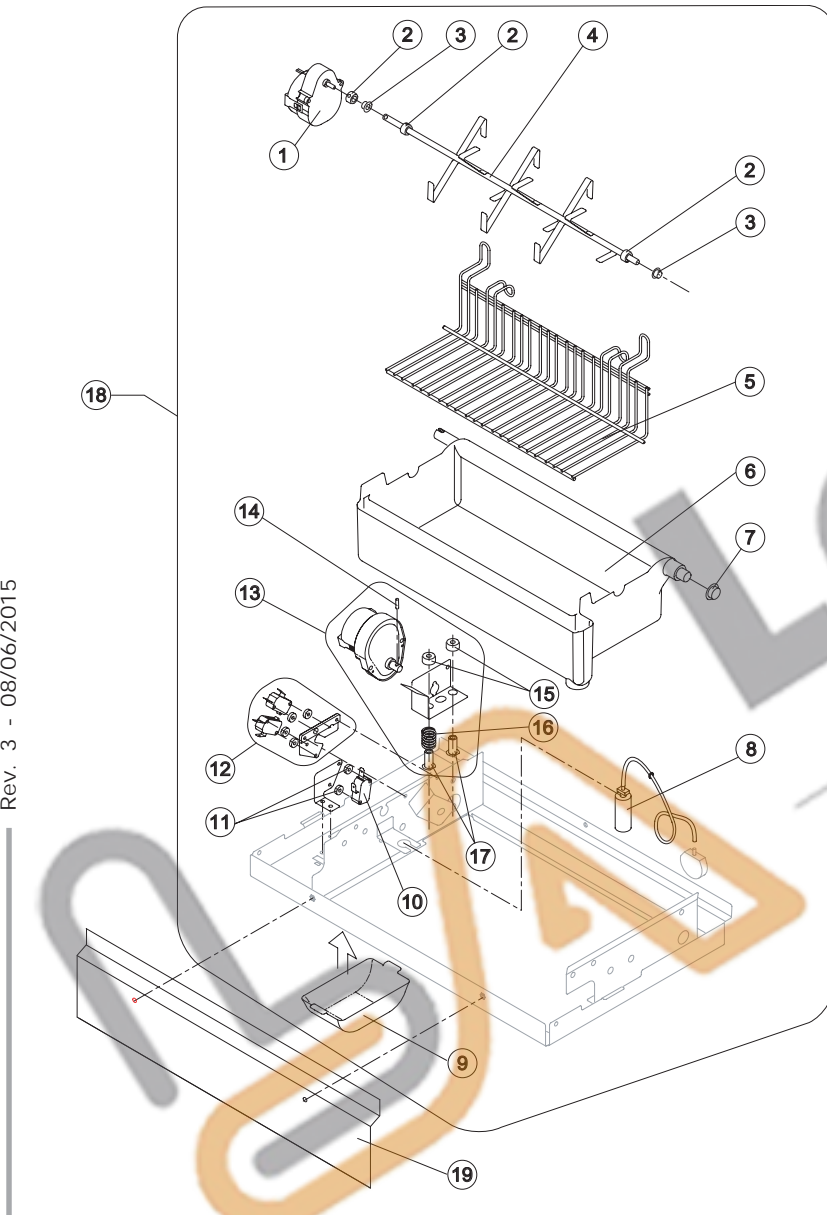
Ref.	Spare Description	Code
1	Water Collecting Basin Slide	N12089
2	Water Collecting Basin	N10552
3	Water Outlet Nipple	N10472
4	Silicone Gasket	N13006
5	Semirigid Polyethylene Gasket	N13007
6	Bin Discharge Nut	N10096

Parts for Air-Cooled Version Only

Ref.	Spare Description	Code
8	Discharges Manifold	NC10006

Parts for Water-Cooled Version Only

Ref.	Spare Description	Code
8	Discharges Manifold	NC26452



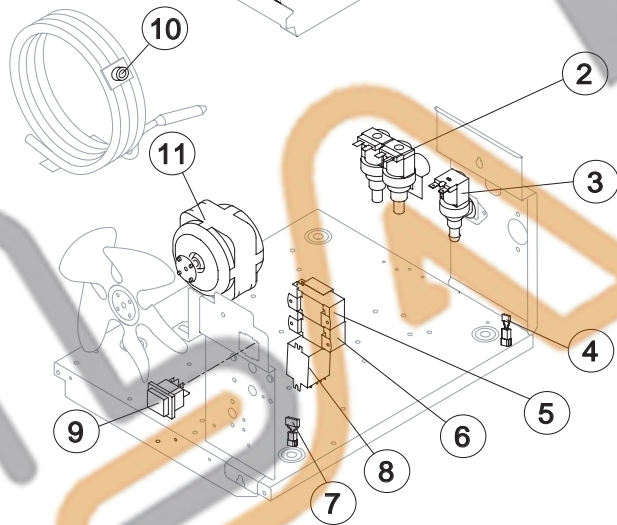
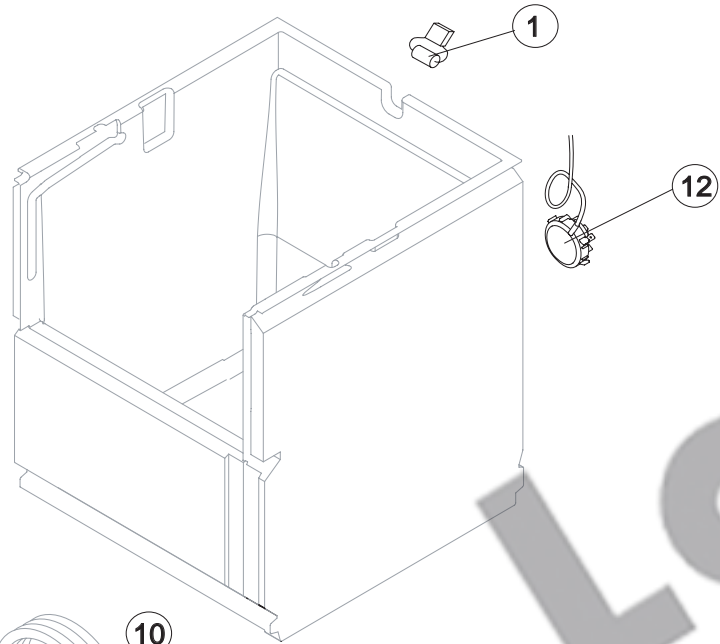
Ref.	Spare Description	Code
1*	Gearmotor (Paddles)	N23937
2	Shaft Stop Ring	N20227
3	Self-Lubricating Bush 06/06	N20230
4*	Shaft with Paddles	N20969
5	Internal Slide Bin	N12087
6*	Water Basin with Pivot	NC10590
7	Self-Lubricating Bush 12/07	N20231
8*	Air Trap with Pipe	NC10537
9	Gearmotor (Paddles) Protection	N10483
10*	Microswitch (Paddles - NO)	N23804
11	Switch Shimming Ring	N10250
12*	2 Microswitches (Basin - NC) Support Assembly	NC26747
13*	Gearmotor (Turnover Basin) with support Assy	NC26746
14	Shaft Pin for Gearmotor (Turnover Basin)	N20814
15	Special Ring	N20808
16	Spring (Gearmotor Support)	N20809
17	Threaded Pivot	N20807
18	Evaporator Support Plate Assembly	NC221174
19	Front Basin Cover	N221205

Rev. 3 - 08/06/2015



IFT 54

ELECTRIC PARTS



Common Parts

Ref.	Spare Description	Code
1*	Capacitor 0,068μF	NC23798
4	Anti Radio Interference Filter	NC23458
5*	Condenser Pressure Switch	N23175
6*	Bin Thermostat	NR23005
8*	Relay	N23190
9*	Green Light Switch(On-Off)	N23327
12*	Water Level Pressure Switch	N23870

Parts for Air-Cooled Version Only

Ref.	Spare Description	Code
3*	1 Way- Water Inlet Valve	N23001
7	Anti Radio Interference Filter	NC23459
11*	Fan Motor	N231041

Parts for Water-Cooled Version Only

Ref.	Spare Description	Code
2*	2 Ways- Water Inlet Valve	N23010
7	Anti Radio Interference Filter	NC23457
10*	Safety Thermostat Switch	NC23114