



IFT 165

LIST OF EXPLODED VIEWS



SHELL ASSY

COOLING SYSTEM

HYDRAULIC CIRCUIT

EVAPORATOR SUPPORT *from s/n. 622630*

EVAPORATOR SUPPORT *till s/n. 622629*

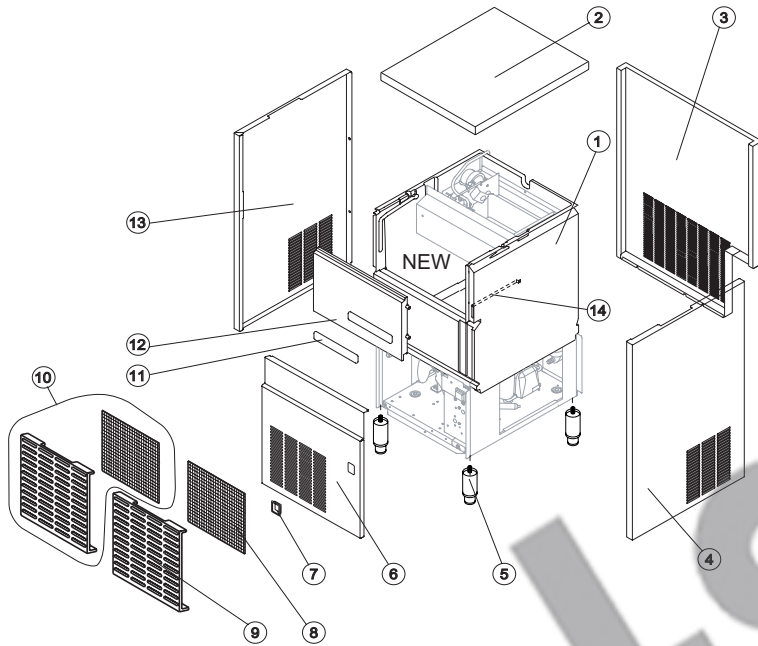
ELECTRIC PARTS

Rev. 9 - 08/06/2015



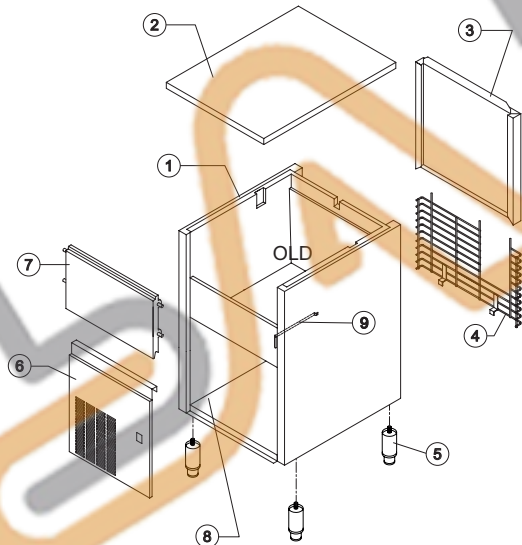
IFT 165

SHELL ASSY



NEW Version

Ref.	Spare Description	Code
1	Foamed Basin	NC11167
2	Top Assembly	NC221431
3	Grey Rear Side Panel	NC21400GR
4	Right Side Panel	N221422
5	Foot	N20613
6	Front Panel	NC221483
7	On-Off switch Frame	N10696
8	Filter	N18243
9	Grid	N10697
10	Grid Assembly	NC10697
11	Resinated Logo	N241330
12	Door Assembly	NC10362
13	Left Side Panel	N221421
14	Bulbe-Holder Pipe	N20521



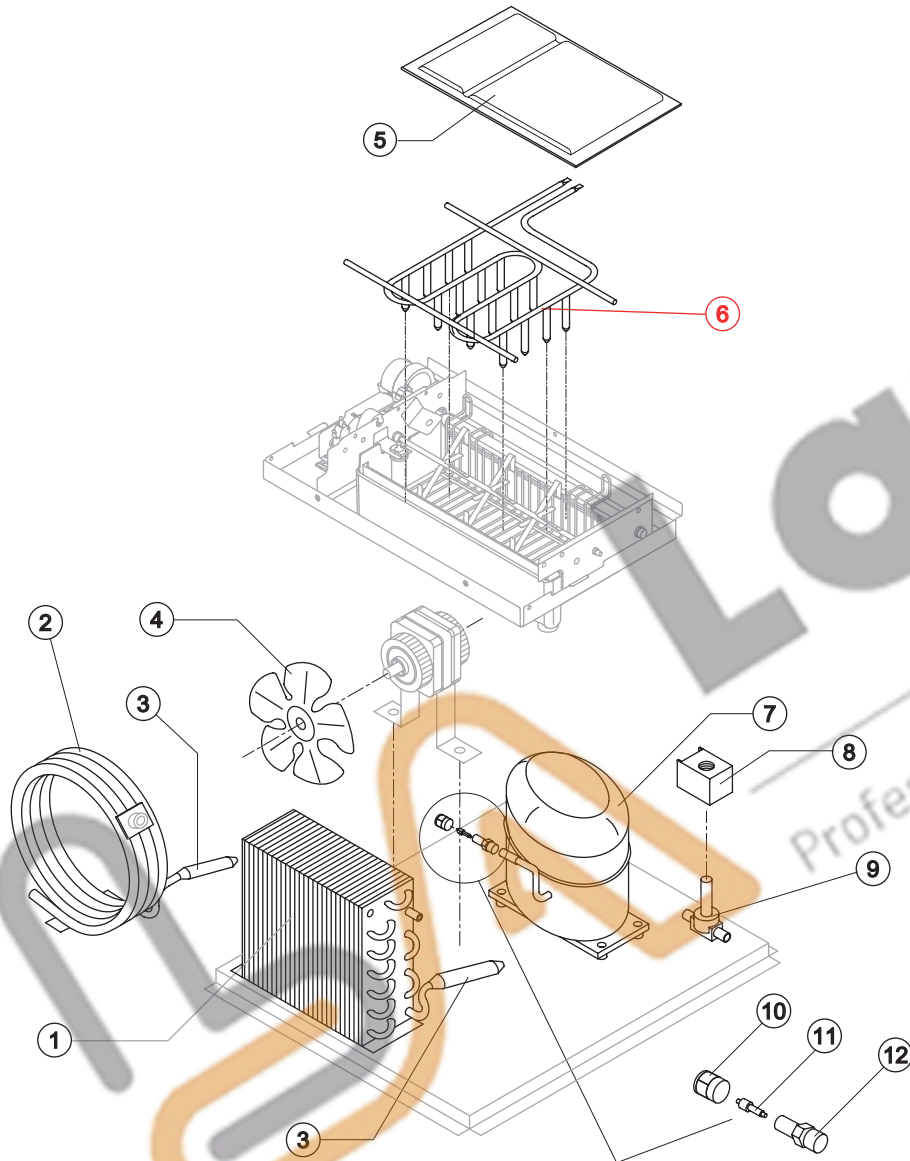
OLD Version

Ref.	Spare Description	Code
1	Foamed Cabinet Assy	NC11144
2	Top Assembly	NC22133
3	Rear Panel Assembly	NC21184
4	Rear Grid	ND12015
5	Foot	N20613
6	Front Grid Panel	N22546
7	Door Assy	NC10362
8	Base Plate	N21280
9	Bulb- holder Pipe	N20522

Rev. 9 - 08/06/2015



Rev. 9 - 08/06/2015



Ref.	Spare Description	Code
3*	Molecular Drier	N14089
5	Evaporator Cover Panel	N10488
6	Evaporator	Current Version* ND14843
6	Evaporator	Till s/n. 622629 ND14529
7	Compressor	N23441
8*	Hot Gas Valve Coil	N23091
9*	Hot Gas Valve Body	N20410
10*	Vacuum-Charge Valve Plug	N14006
11*	Vacuum-Charge Valve Device	N14005
12	Vacuum-Charge Valve Body	N14007

* valid also for s/n. 566639, 566640 e 616311

Parts for Air-Cooled Version Only

Ref.	Spare Description	Code
1	Air Condenser	Current Version N20558
1	Air Condenser	Till s/n. 347948 N20175
4	Sucking Fan	See Table -

Parts for Water-Cooled Version Only

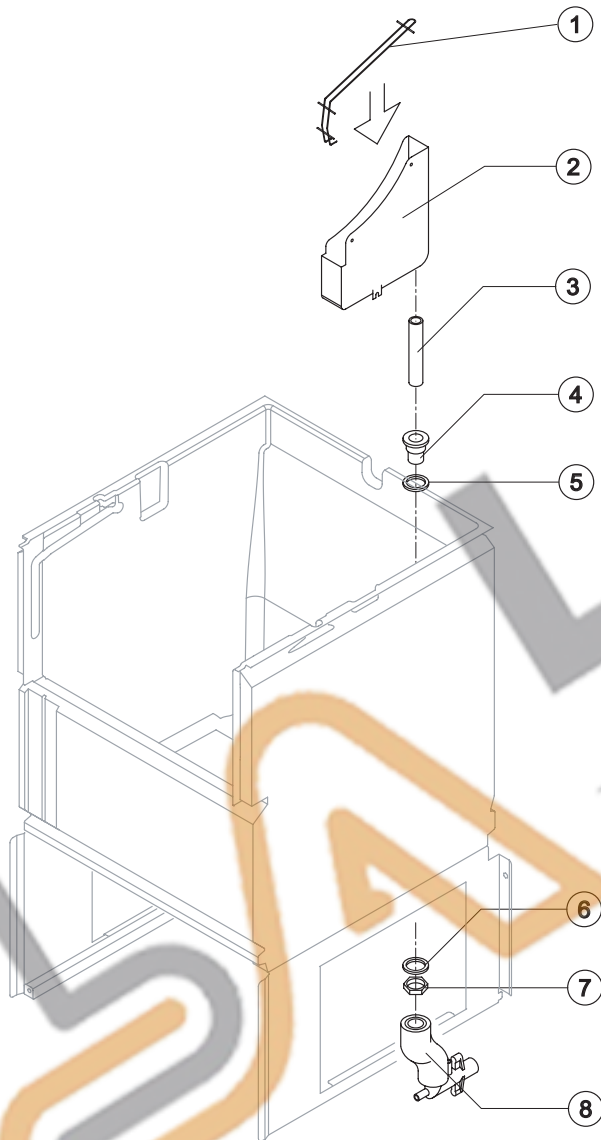
Ref.	Spare Description	Code
2	Water Condenser	N14014

Ref. 7 - Compressor

Tension	Code
T11	N23505A
T12	N23495A

Ref. 4 - Sucking Fan

Tension	Code
T11	N20031
T12	N20962



Common Parts

Ref.	Spare Description	Code
1	Water Collecting Basin Slide	N12072
2	Water Collecting Basin	N10456
3*	Water Collecting Basin Drain Pipe	N13107
4	Water Outlet Nipple	N10472
5	Silicone Gasket	N13006
6	Semirigid Polyethylene Gasket	N13007
7	Bin Discharge Nut	N10096

Parts for Air-Cooled Version Only

Ref.	Spare Description	Code
8	Discharges Manifold	NC10006

Parts for Water-Cooled Version Only

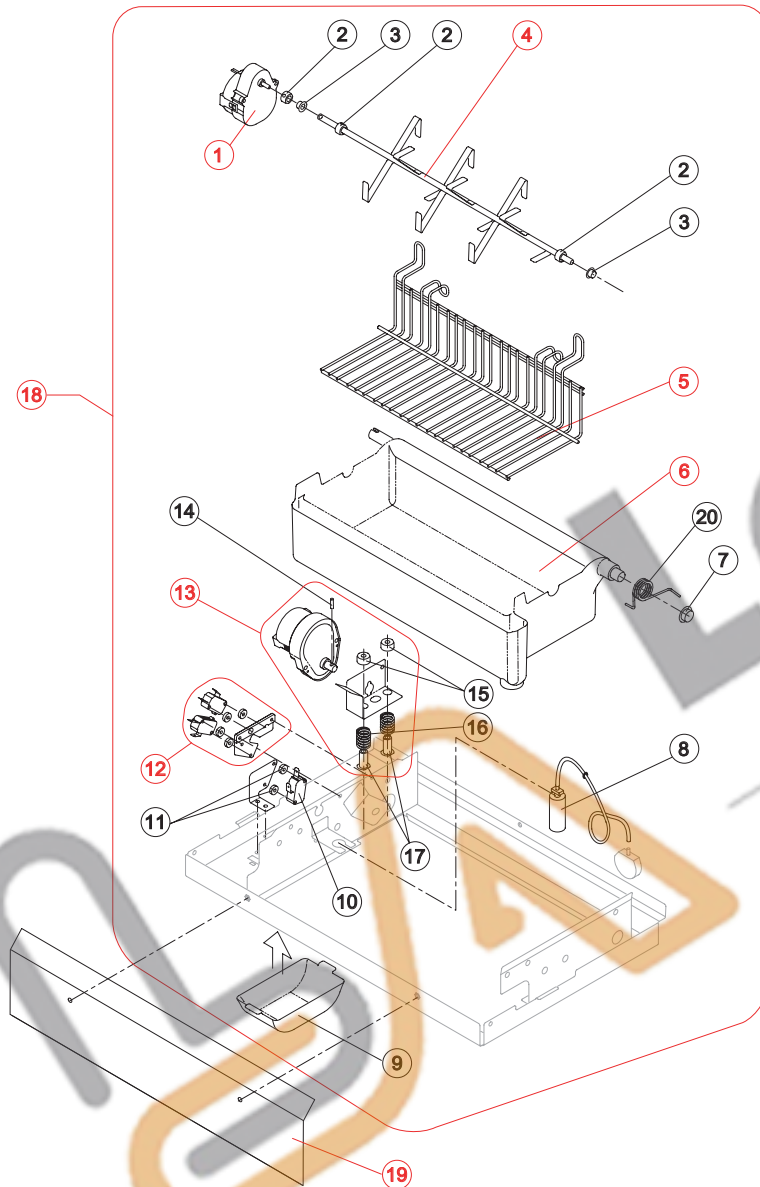
Ref.	Spare Description	Code
8	Discharges Manifold	NC26452



IFT 165

EVAPORATOR SUPPORT from s/n. 622630*

Rev. 9 - 08/06/2015



Ref.	Spare Description	Code
1*	Gearmotor (Paddles)	N23801
2	Shaft Stop Ring	N20227
3	Self-Lubricating Bush 06/06	N20230
4*	Shaft with Paddles	N201068
5	Internal Slide Bin	N12090
6*	Water Basin with Pivot	NRC10659
7	Self-Lubricating Bush 12/07	N20231
8*	Air Trap with Pipe	NC10537
9	Gearmotor (Paddles) Protection	N10483
10*	Microswitch (Paddles - NO)	N23804
11	Switch Shimming Ring	N10250
12*	2 Microswitches (Basin - NC) Support Assembly	NC26747
13*	Gearmotor (Turnover Basin) with support Assy	NC26748
14	Shaft Pin for Gearmotor (Turnover Basin)	N20814
15	Special Ring	N20808
16	Spring (Gearmotor Support)	N20809
17	Threaded Pivot	N20807
18	Evaporator Support Plate Assembly	NC221404
19	Front Basin Cover	N221405
20	Spring	N201067

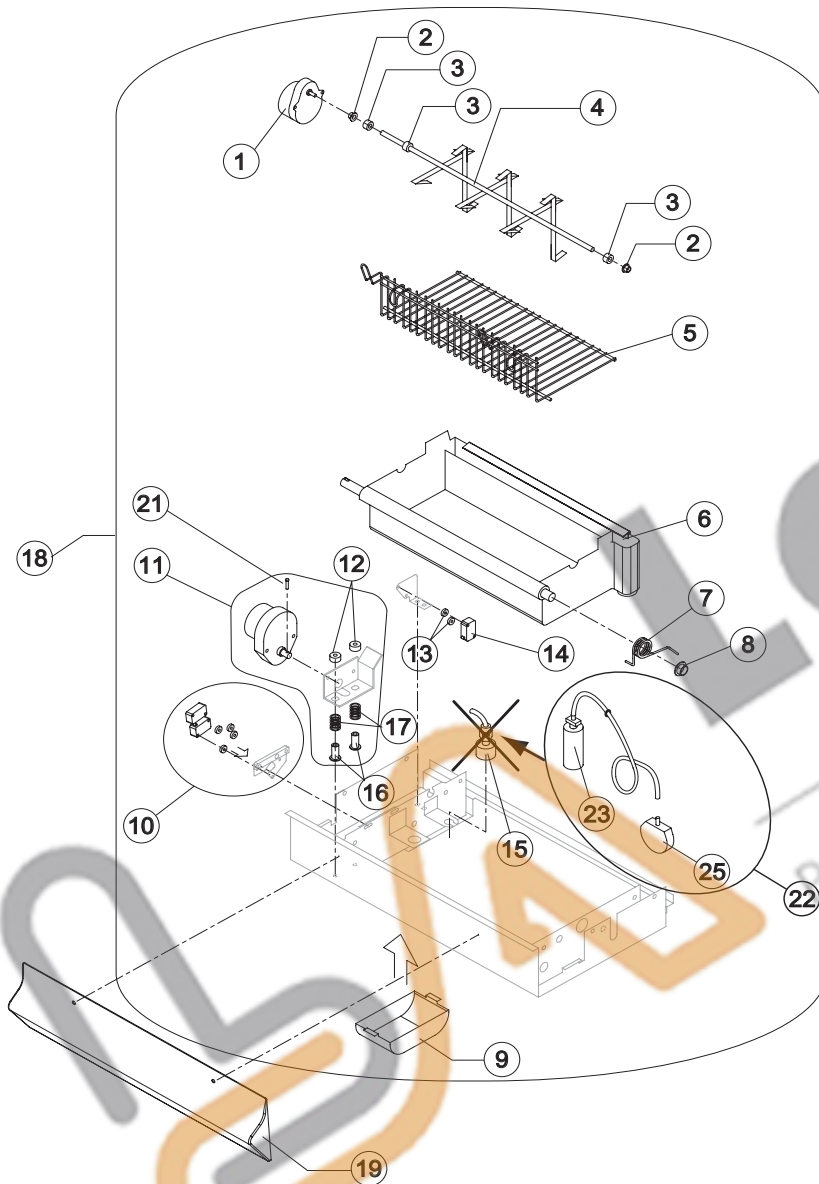
* valid also for s/n. 566639, 566640 e 616311



IFT 165

EVAPORATOR SUPPORT

till s/n. 622629



Ref.	Spare Description	Code
1*	Gearmotor (Paddles)	N23801
2	Self-Lubricating Bush 06/06	N20230
3	Shaft Stop Ring	N20227
4*	Shaft with Paddles	N20822
5	Internal Basin Slide	N12076
6*	Water Basin with Pivot	NRC10493
7	Spring	N20810
8	Self-Lubricating Bush 12/07	N20231
9	Gearmotor (Paddles) Protection	N10483
10*	2 Microswitches (Basin - NC) Support Assembly	NC23803
11*	Gearmotor (Turnover Basin) with Support assy	NC26743
12	Special Ring	N20808
13	Switch Shimming Ring	N10250
14*	Microswitch (Paddles - NO)	N23804
15	Electromagnetic Level Switch	replaced by ref. 22
16	Threaded Pivot	N20807
17	Spring (Gearmotor Support)	N20809
18	Evaporator Support Plate Assembly	NC22143
19	Basin Protection	N10510
21	Shaft Pin for Gearmotor (Turnover Basin)	N20814
22	Water Level Pressure Switch Assy	NKIT23870
23*	Air Trap with Pipe	NC10537
25*	Water Level Pressure Switch	N23870

Rev. 9 - 08/06/2015



IFT 165

ELECTRIC PARTS

Common Parts

Ref.	Spare Description	Code
1*	Water Level Pressure Switch	N23870
4	Anti Radio Interference Filter	NC23458
5*	Condenser Pressure Switch	N23175
6*	Bin Thermostat	NR23005
8*	Relay	N23190
9*	Green Light Switch(On-Off)	N23327
12*	Capacitor 0,068μF	NC23798

Parts for Air-Cooled Version Only

Ref.	Spare Description	Code
3*	1 Way- Water Inlet Valve	N23220
7	Anti Radio Interference Filter	NC23459
11*	Fan Motor	N23067

Parts for Water-Cooled Version Only

Ref.	Spare Description	Code
2*	2 Ways- Water Inlet Valve	N23501
7	Anti Radio Interference Filter	NC23457
10*	Safety Thermostat Switch	NC23114

