



IFT 120

# LIST OF EXPLODED VIEWS



SHELL ASSY

COOLING SYSTEM

HYDRAULIC CIRCUIT

EVAPORATOR SUPPORT from s/n. 497153

EVAPORATOR SUPPORT till s/n. 497152

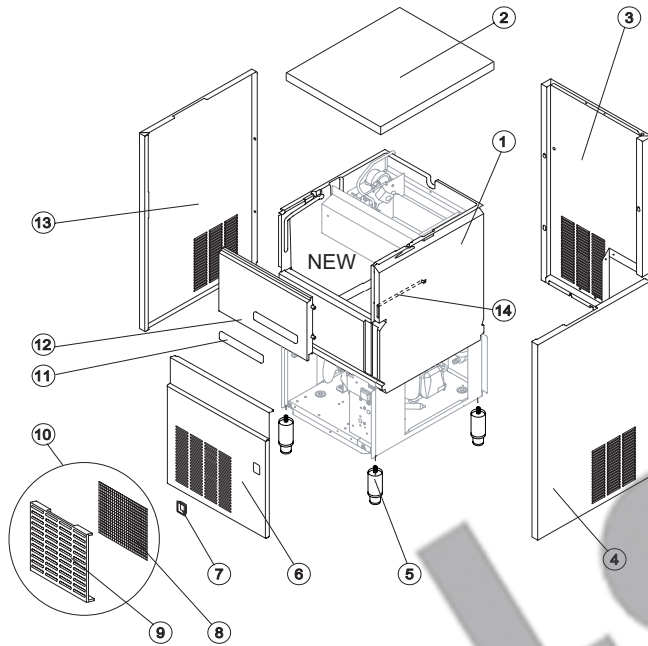
ELECTRIC PARTS

Rev. 10 - 08/06/2015



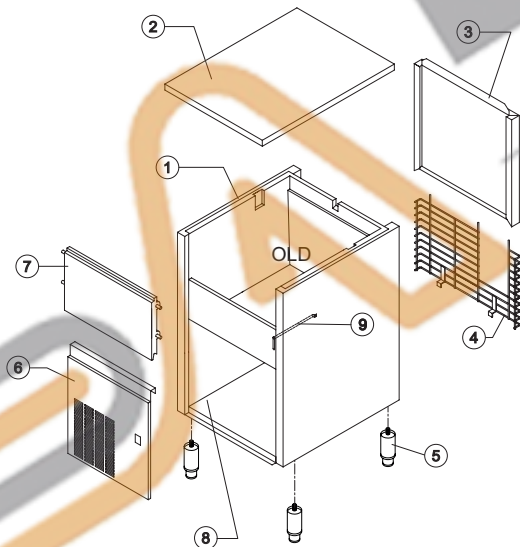
# IFT 120

# SHELL ASSY



### New version

Ref.	Spare Description	Code
1	Foamed Basin	NC11137
2	Top Assembly	NC221375
3	Grey Rear Side Panel	NC21387GR
4	Right Side Panel	N221418
5	Foot	N10557
6	Front Panel	NC221482
7	On-Off switch Frame	N10696
8	Filter	N18243
9	Grid	N10697
10	Grid Assembly	NC10697
11	Resinated Logo	N241330
12	Door Assembly	NC10360
13	Left Side Panel	N221417
14	Bulbe-Holder Pipe	N20521



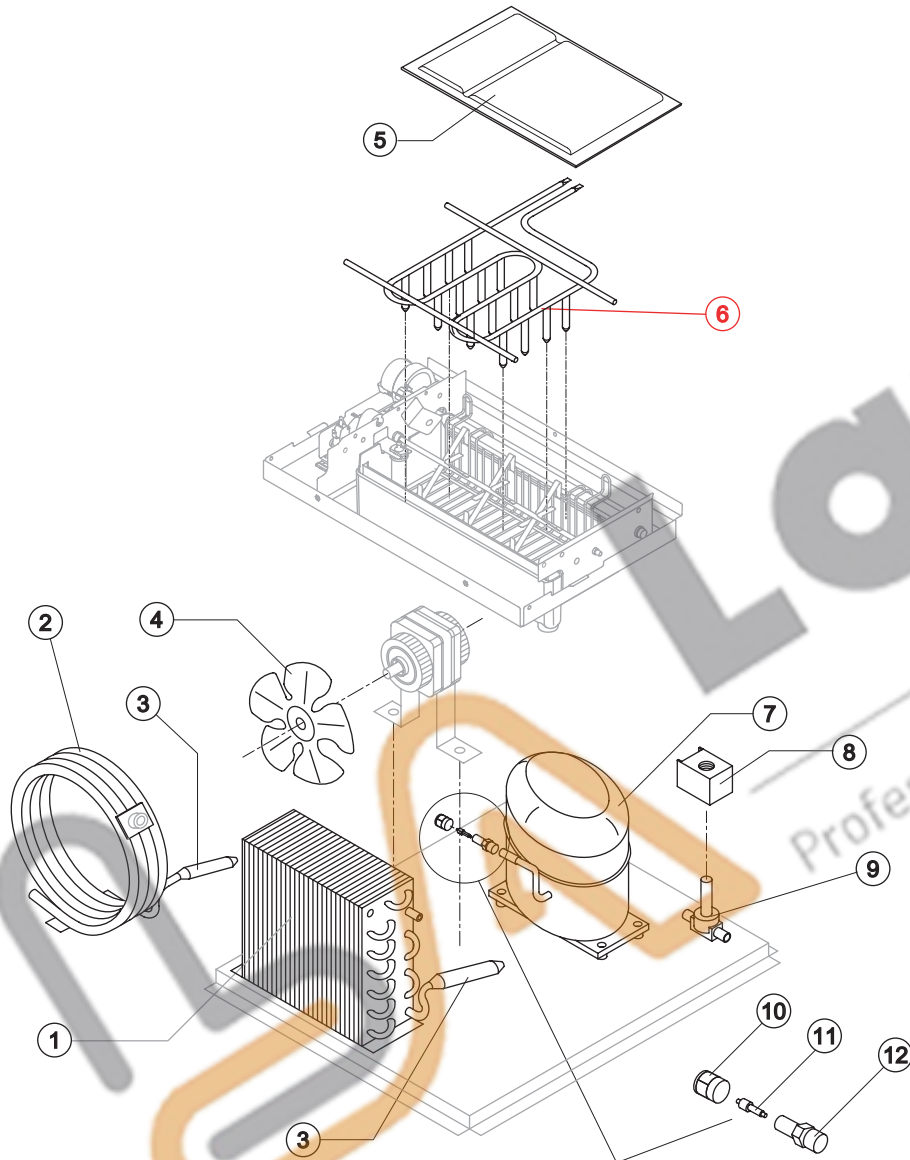
### Old version

Ref.	Spare Description	Code
1	Foamed Cabinet Assy	NC11143
2	Top Assembly	NC22131
3	Rear Panel Assembly	NC21183
4	Rear Grid	ND12006
5	Foot	N20613
6	Front Grid Panel	N22545
9	Door Assy	NC10360
10	Base Plate	N21279
<b>11</b>	<b>Bulb-holder Pipe</b>	<b>Current Version</b> <b>N20521</b>
11	Bulbe-holder Pipe	Till s/n. 497152 N20522

Rev. 10 - 08/06/2015



Rev. 10 - 08/06/2015



### Common Parts

Ref.	Spare Description	Code
3*	Molecular Drier	N14009
5	Evaporator Cover Panel	N10487
<b>6</b>	<b>Evaporator</b>	<b>Current Version ND14691</b>
6	Evaporator	Till s/n. 497152 ND14527
7	Compressor	See Table -
8*	Hot Gas Valve Coil	N23091
9*	Hot Gas Valve Body	N20410
10*	Vacuum-Charge Valve Plug	N14006
11*	Vacuum-Charge Valve Device	N14005
12	Vacuum-Charge Valve Body	N14007

### Parts for Air-Cooled Version Only

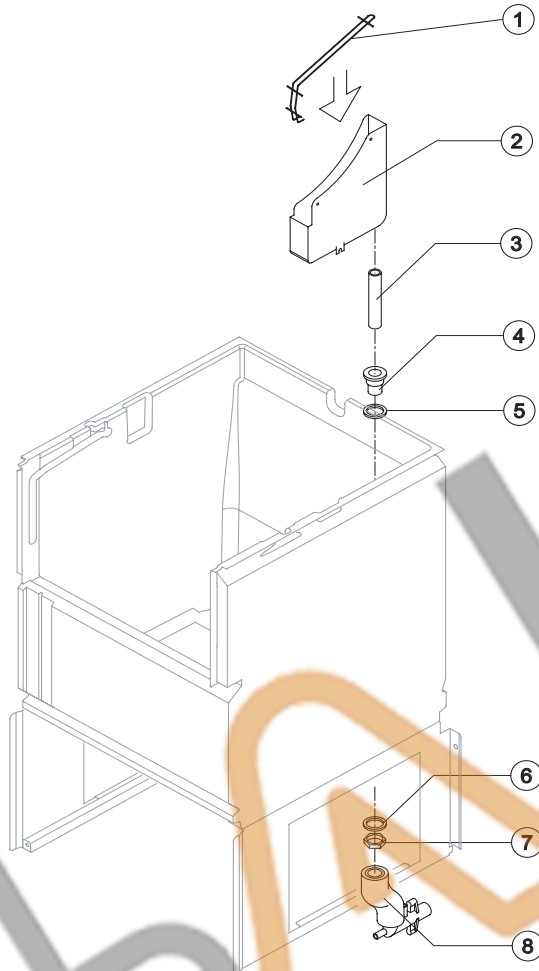
Ref.	Spare Description	Code
1	Air Condenser	N20019
4	Sucking Fan	N20096

### Parts for Water-Cooled Version Only

Ref.	Spare Description	Code
2	Water Condenser	N14014

### Rif. 7 - Compressor

Tension	Code
220/240V 50 Hz	N23985
220/230V 60 Hz	N23495A



### Common Parts

Ref.	Spare Description	Code
1	Water Collecting Basin Slide	N12072
2	Water Collecting Basin	N10456
3*	Water Collecting Basin Drain Pipe	N13107
4	Water Outlet Nipple	N10472
5	Silicone Gasket	N13006
6	Semirigid Polyethylene Gasket	N13007
7	Bin Discharge Nut	N10096

### Parts for Air-Cooled Version Only

Ref.	Spare Description	Code
8	Discharges Manifold	NC10006

### Parts for Water-Cooled Version Only

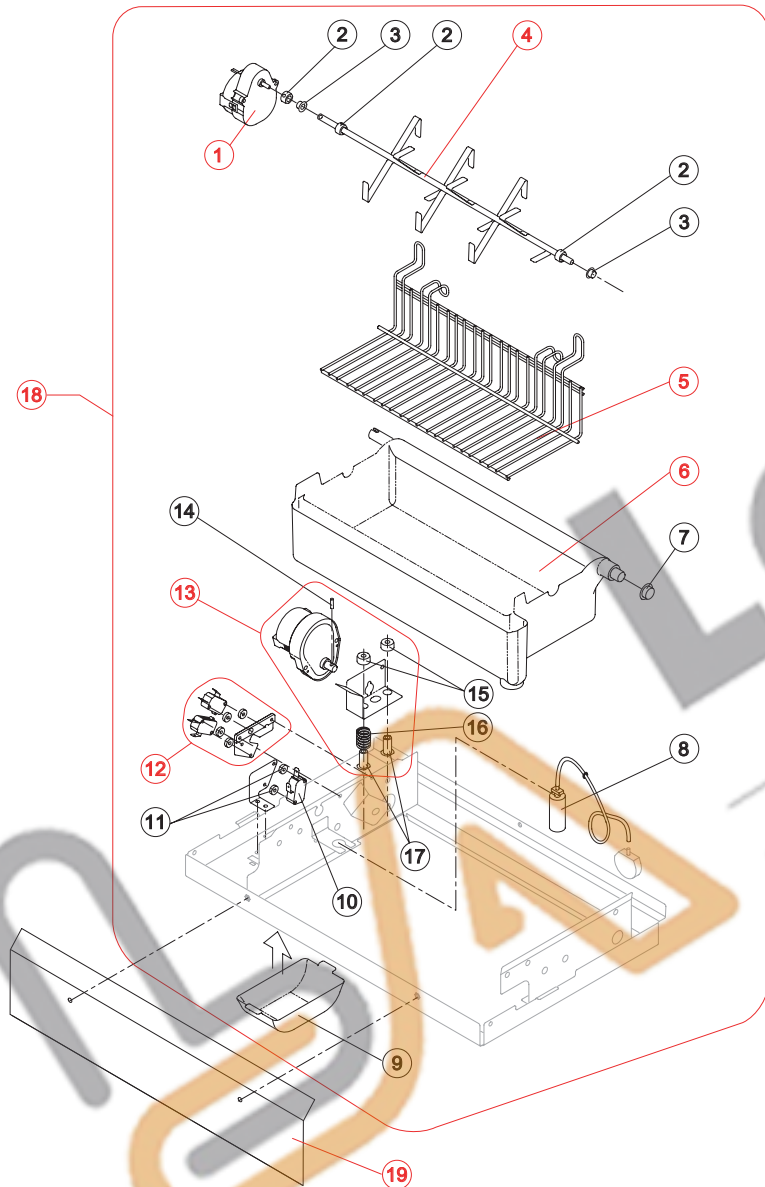
Ref.	Spare Description	Code
8	Discharges Manifold	NC26452



# IFT 120

# EVAPORATOR SUPPORT *New Version* from s/n. 497153

Rev. 10 - 08/06/2015



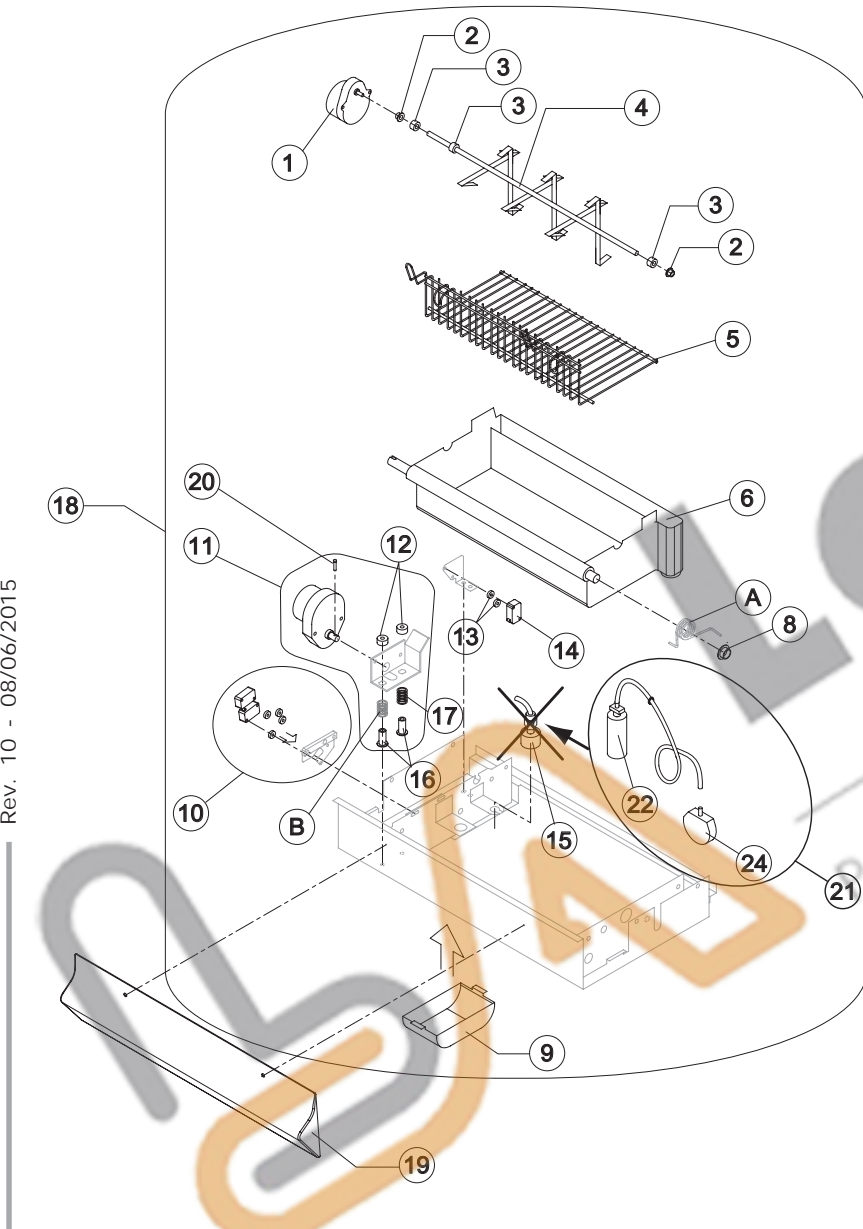
Ref.	Spare Description	Code
<b>1*</b>	<b>Gearmotor (Paddles)</b>	<b>N23801</b>
2	Shaft Stop Ring	N20227
3	Self-Lubricating Bush 06/06	N20230
<b>4*</b>	<b>Shaft with Paddles</b>	<b>N20966</b>
<b>5</b>	<b>Internal Slide Bin</b>	<b>N12088</b>
<b>6*</b>	<b>Water Basin with Pivot</b>	<b>NC10591</b>
7	Self-Lubricating Bush 12/07	N20231
8*	Air Trap with Pipe	NC10537
9	Gearmotor (Paddles) Protection	N10483
10*	Microswitch (Paddles - NO)	N23804
11	Switch Shimming Ring	N10250
<b>12*</b>	<b>2 Microswitches (Basin - NC) Support Assembly</b>	<b>NC26747</b>
<b>13*</b>	<b>Gearmotor (Turnover Basin) with support Assy</b>	<b>NC26746</b>
14	Shaft Pin for Gearmotor (Turnover Basin)	N20814
15	Special Ring	N20808
16	Spring (Gearmotor Support)	N20809
17	Threaded Pivot	N20807
<b>18</b>	<b>Evaporator Support Plate Assembly</b>	<b>NC221206</b>
<b>19</b>	<b>Front Basin Cover</b>	<b>N221204</b>





# IFT 120

## EVAPORATOR SUPPORT *Old Version* till s/n. 497152



Rif.	Descrizione Ricambio	Codice
1	Gearmotor (Paddles)	N23802
2	Self-Lubricating Bush 06/06	N20230
3	Shaft Stop Ring	N20227
4	Shaft with Paddles	N20818
5	Internal Basin Slide	N12075
6	Water Basin with Pivot	NC10491
8	Self-Lubricating Bush 12/07	N20231
9	Gearmotor (Paddles) Protection	N10483
10	2 Microswitches (Basin - NC) Support Assembly	NC23803
11	Gearmotor (Turnover Basin) with Support assy	NC26742
12	Special Ring	N20808
13	Switch Shimring Ring	N10250
14	Microswitch (Paddles - NO)	N23804
15	Electromagnetic Level Switch	replaced by ref. 22
16	Threaded Pivot	N20807
17	Spring (Gearmotor Support)	N20809
18	Evaporator Support Plate Assembly	NC22142
19	Basin Protection	N10509
21	Shaft Pin for Gearmotor (Turnover Basin)	N20814
22	Water Level Pressure Switch Assy	NKIT23870
23	Air Trap with Pipe	NC10537
25	Water Level Pressure Switch	N23870

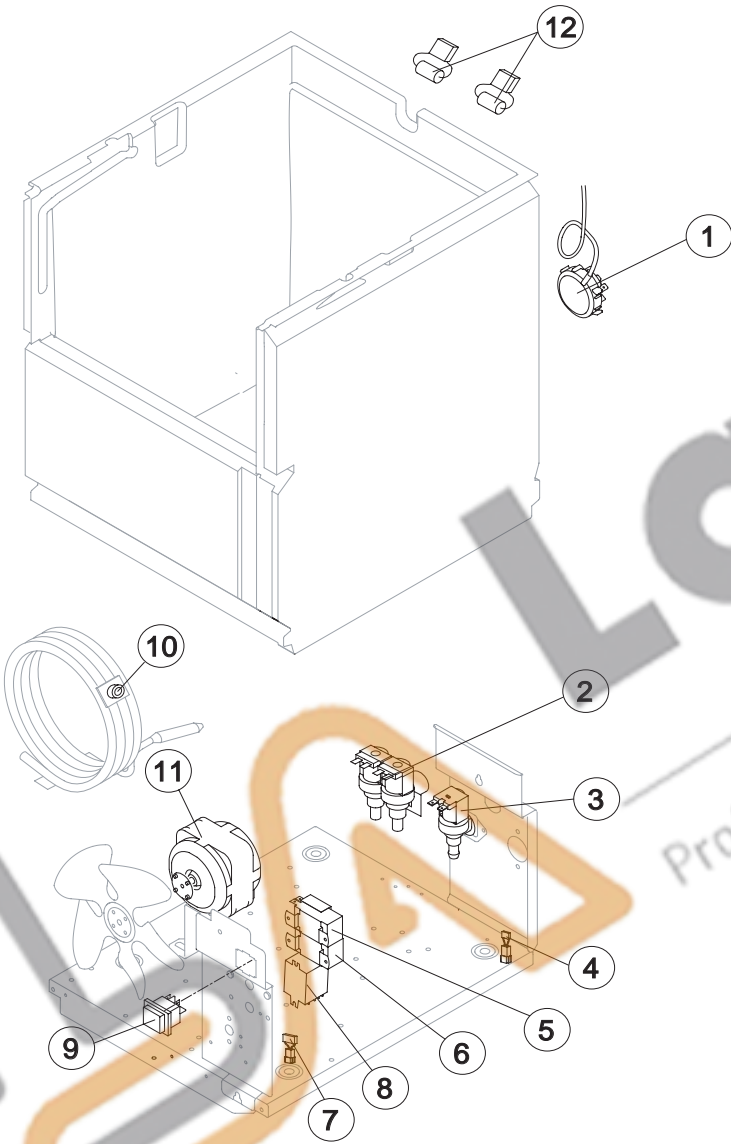


Eliminated the Lightening Spring ref. A and one Gearmotor Support Spring ref. B, suggested removal even from the models where they are present.



# IFT 120

## ELECTRIC PARTS



### Common Parts

Ref.	Spare Description	Code
1*	Water Level Pressure Switch	N23870
4	Anti Radio Interference Filter	NC23458
5*	Condenser Pressure Switch	N23175
6*	Bin Thermostat	NR23005
8*	Relay	N23190
9*	Green Light Switch(On-Off)	N23327
12*	Capacitor 0,068μF	<b>NC23798</b>

### Parts for Air-Cooled Version Only

Ref.	Spare Description	Code
3*	1 Way- Water Inlet Valve	N23220
7	Anti Radio Interference Filter	NC23459
11*	Fan Motor	N23029

### Parts for Water-Cooled Version Only

Ref.	Spare Description	Code
2*	2 Ways- Water Inlet Valve	N23501
7	Anti Radio Interference Filter	NC23457
10*	Safety Thermostat Switch	NC23114

Rev. 10 - 08/06/2015