



GM 600

LIST OF THE EXPLODED VIEWS



SHELL ASSY

COOLING SYSTEM

EVAPORATOR

HYDRAULIC CIRCUIT

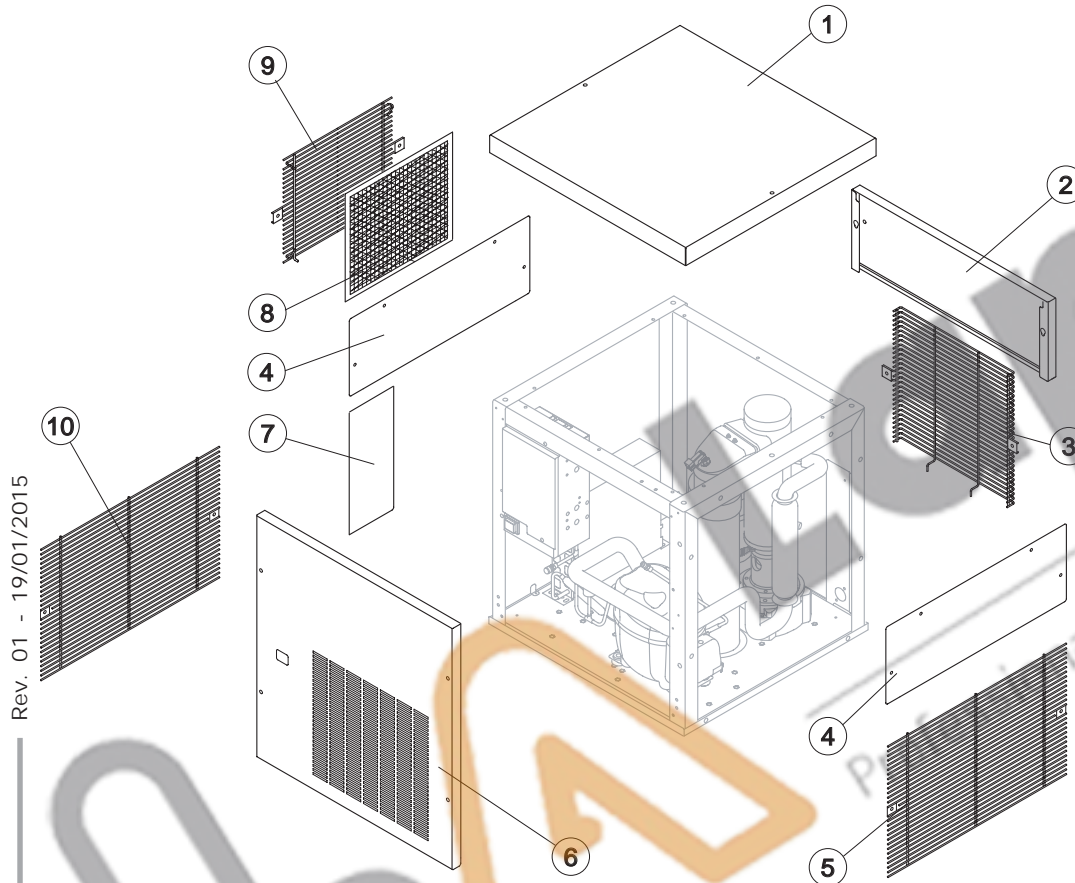
ELECTRIC PARTS

Rev. 01 - 19/01/2015



GM 600

SHELL ASSY



Rev. 01 - 19/01/2015

Common Parts

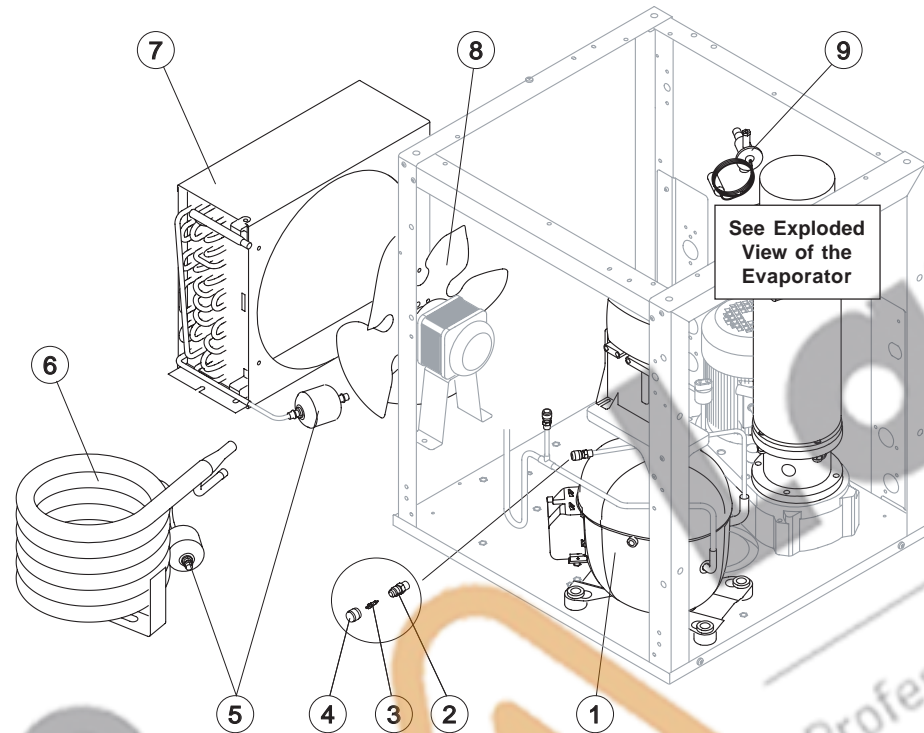
| Ref. | Spare Description | Code |
|------|-------------------|---------|
| 1 | Top | N221518 |
| 2 | Back Panel | N221513 |
| 3 | Back Grill | ND12091 |
| 4 | Side Panel | N221515 |
| 5 | Right Side Grill | ND12092 |
| 6 | Front Panel | N221511 |

Parts for Air-Cooled Version Only

| Ref. | Spare Description | Code |
|------|-----------------------|---------|
| 7 | Lower Left Side Panel | N221517 |
| 8* | Filter | N18246 |
| 9 | Left Side Grill | ND12093 |

Parts for Water-Cooled Version Only

| Ref. | Spare Description | Code |
|------|-------------------|---------|
| 10 | Left Side Grill | ND12092 |



Common Parts

| Ref. | Spare Description | Code |
|------|----------------------------|-----------|
| 1 | Compressor | See Table |
| 2 | Vacuum-Charge Valve Body | N14007 |
| 3* | Vacuum-Charge Valve Device | N14005 |
| 4* | Vacuum-Charge Valve Plug | N14006 |
| 5* | Molecular Drier | N14089 |
| 9 | Expansion Valve | N20991 |

Parts for Air-Cooled Version Only

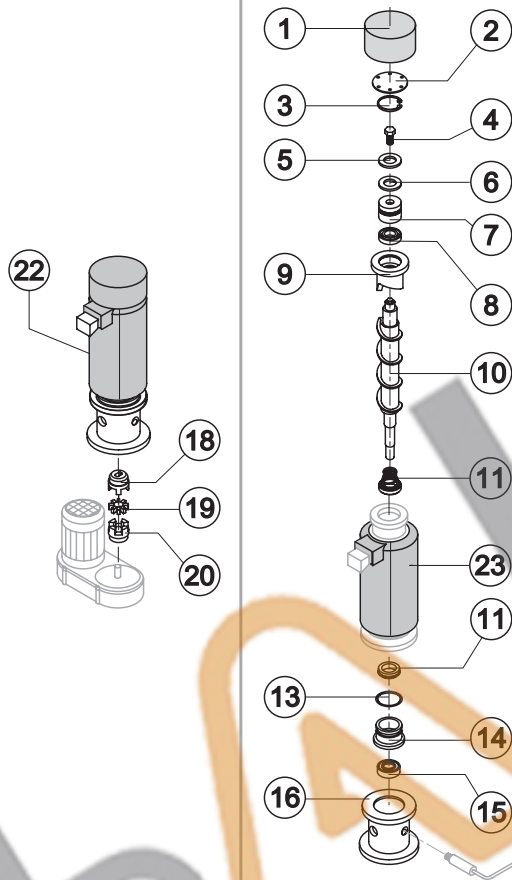
| Ref. | Spare Description | Code |
|------|-------------------|--------|
| 7 | Air Condenser | N20924 |
| 8 | Sucking Fan | N20407 |

Parts for Water-Cooled Version Only

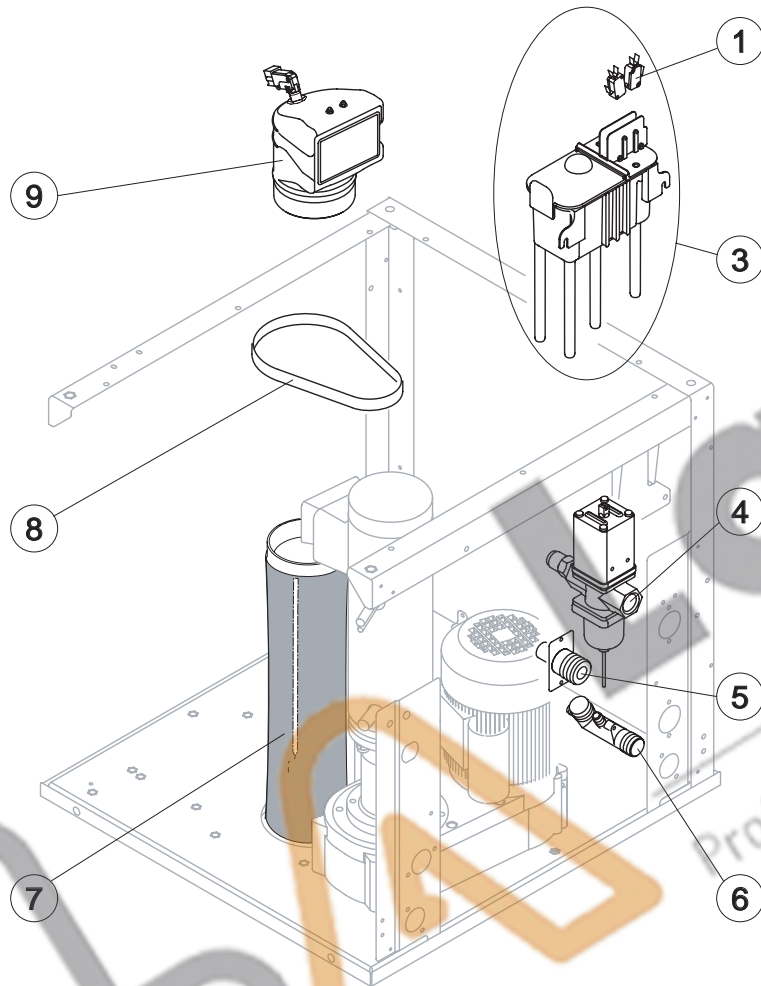
| Ref. | Spare Description | Code |
|------|-------------------|--------|
| 6 | Water Condenser | N14678 |

Rif. 1 - Compressor

| Voltage | Code |
|---------|--------|
| T11 | N23986 |
| T12 | N23964 |



| Ref. | Spare Description | Code |
|------|--------------------------------|---------|
| 1 | Insulating Cap | N18167 |
| 2 | Closing Disk | N22649 |
| 3 | Seeger | N20116 |
| 4 | Stainless Steel Screw | N20664 |
| 5 | Shimming Disk | N22829 |
| 6 | Self-Lubricating Disk | N20639 |
| 7 | Stainless Steel Thrust Bearing | N20685 |
| 8 | OR Gasket 4137 | N20689 |
| 9 | Ice Breaker | N20683 |
| 10 | Auger | N20684 |
| 11 | Ceramic Seal | N20633 |
| 13 | OR Gasket 3218 NBR | N20655 |
| 14 | Reduction Ring | N20659 |
| 15 | Stainless Steel Bearing | N20112 |
| 16 | Flange | N20644 |
| 18 | Semi-Joint Upper | ND20654 |
| 19 | Vibration-Damping Elastomer | N20494 |
| 20 | Semi-Joint Lower | ND20493 |
| 22 | Evaporator Assy | NC11114 |
| 23 | Insulating Cap | N18182 |



Common Parts

| Ref. | Spare Description | Code |
|------|--------------------------------------|---------|
| 1 | Microswitch | N23055 |
| 3* | Double Switch Basin Assembly | NC10685 |
| 6 | Discharges Manifold | N10579 |
| 7 | Ice Outlet Pipe with Bin Bulb Holder | NC10656 |
| 8 | Locking Exhaust Strip | N25049 |
| 9* | Ice Exhaust with micro Assy | NC10585 |

Parts for Water-Cooled Version Only

| Ref. | Spare Description | Code |
|------|---------------------------------|---------|
| 4 | Water regulating valve assembly | NC20967 |
| 5 | Drain manifold | N20984 |



Common Parts

| Ref. | Spare Description | | Code |
|------|--------------------------------|-----|-----------|
| 1 | Anti Radio Interference Filter | T11 | NC23457 |
| 2 | Safety Pressure-Switch | | N23342 |
| 3* | 1 Way- Water Inlet Valve | | N23115 |
| 4 | Rotation Sensor | | NR231028 |
| 5 | Gearmotor | | N231030 |
| 6 | Low Pressure Safety Switch | | N23909 |
| 8* | Green Light Switch (On-Off) | | N23327 |
| 10* | Contactors | | See Table |
| 11* | Bin Thermostat | | NR231035 |

Parts for Air-Cooled Version Only

| Ref. | Spare Description | | Code |
|------|--------------------------------|-----|---------|
| 7* | Fan Motor | | N23121 |
| 9* | Condenser Pressure Switch | | N23175 |
| 12 | Anti Radio Interference Filter | T11 | NC23459 |

Rif. 10* - Contactor

| Voltage | Code |
|---------|--------|
| T11 | N23147 |
| T12 | N23963 |

Rev. 01 - 19/01/2015

