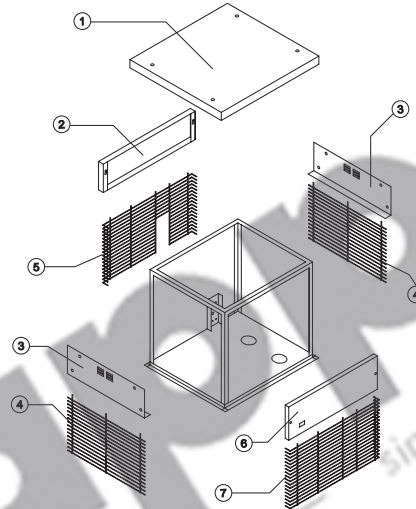




GM 2000

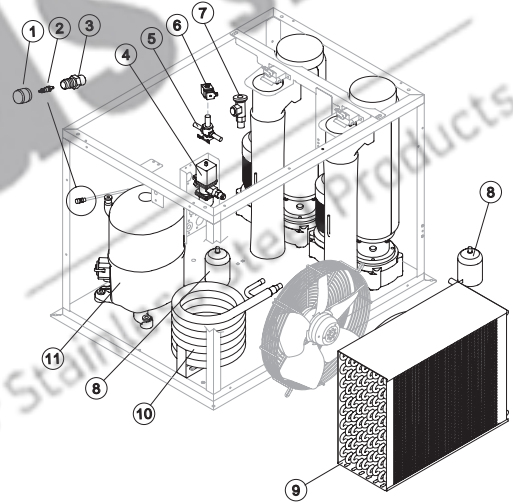
LIST OF THE EXPLODED VIEWS

SHELL ASSY



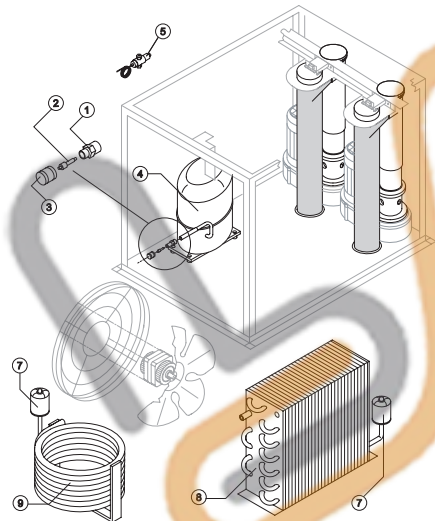
COOLING SYSTEM

from s/n. 51880

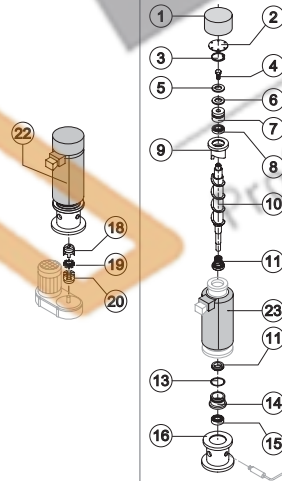


COOLING SYSTEM

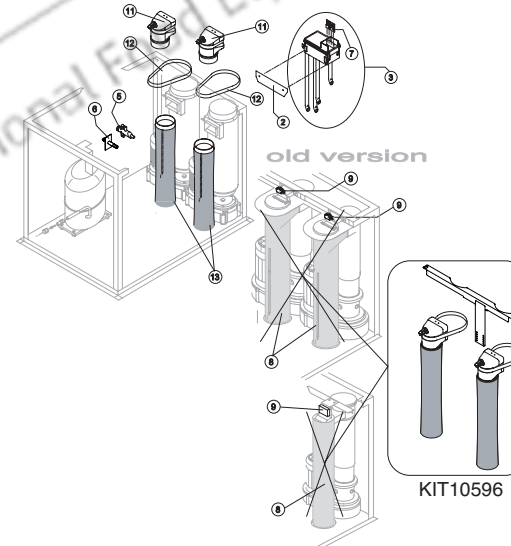
till s/n. 518879



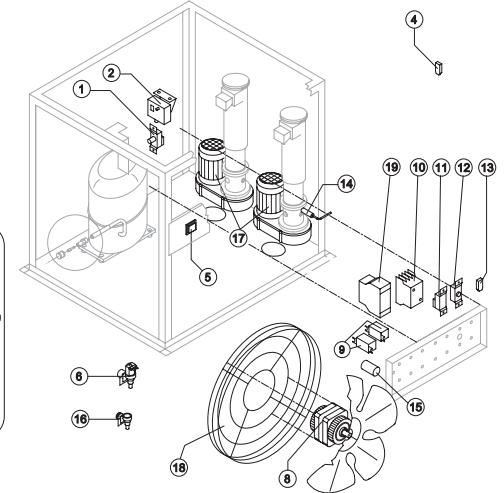
EVAPORATOR



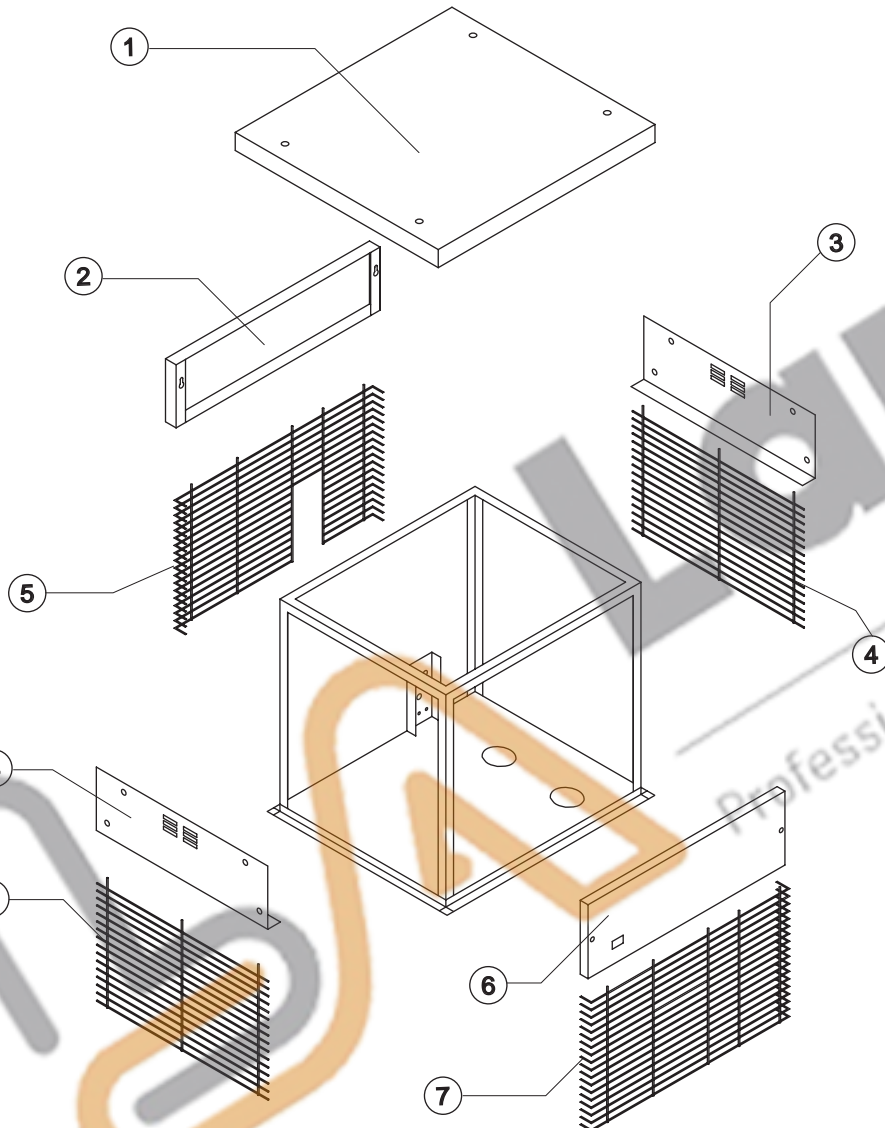
HYDRAULIC CIRCUIT



ELECTRIC PARTS



Rev. 14 - 17/02/2015



Common Parts

Ref.	Spare Description	Code
1	Top	N22681
2	Rear Panel	N22684
3	Right/Left Side Panel	N221152
4	Side Grid	ND12064
5	Rear Grid	ND12063
6	Front Panel Assembly	N22683
7	Front Grid	ND12062

Rev. 14 - 17/02/2015



COOLING SYSTEM from s/n. 518880

Common Parts

Ref.	Spare Description	Code
1	Vacuum-Charge Valve Plug	N14006
2	Vacuum-Charge Valve Device	N14005
3	Vacuum-Charge Valve Body	N14007
5	Hot gas valve body	N20409
6	Hota gas valve coil	See Table
7	Expansion valve	N20970
8	Liquid Line Drier	N14255
11	Compressor	See Table

Parts for Air-Cooled Version Only

Ref.	Spare Description	Code
9	Air Condenser	N20396

Parts for Water-Cooled Version Only

Ref.	Spare Description	Code
4	Water Regulating Valve	NC20968
10	Water Condenser	N14660

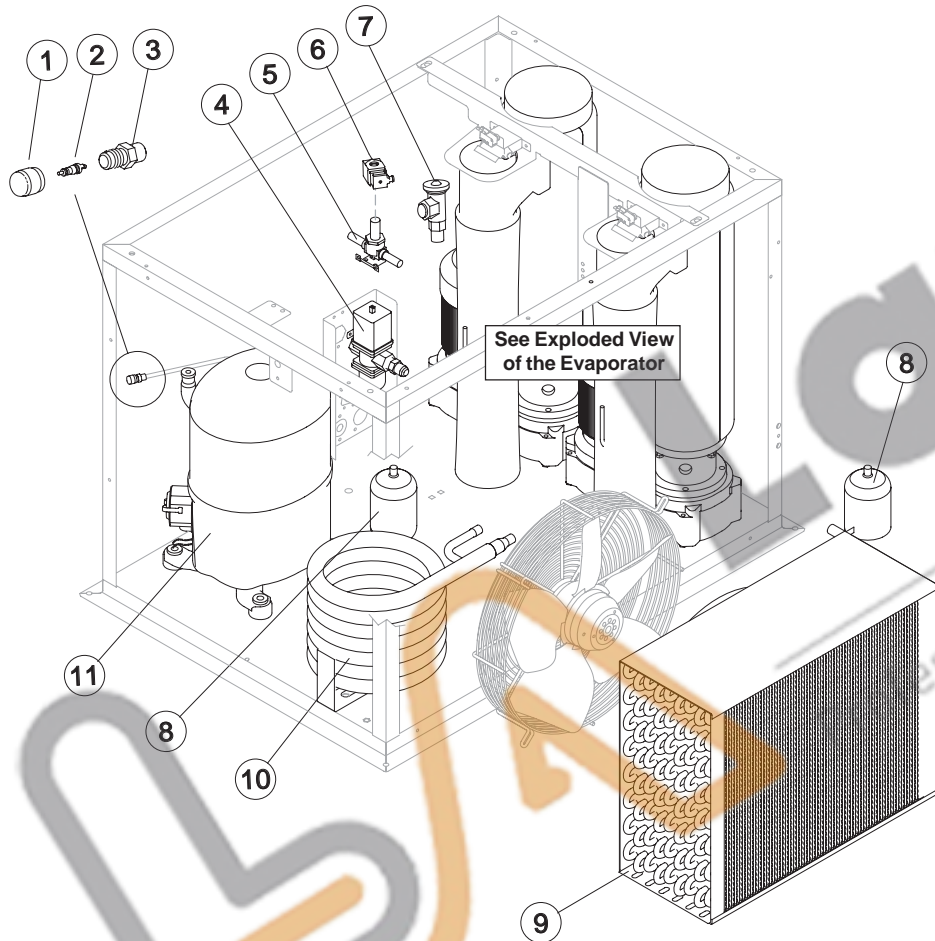
Ref. 6 - Hot gas valve coil

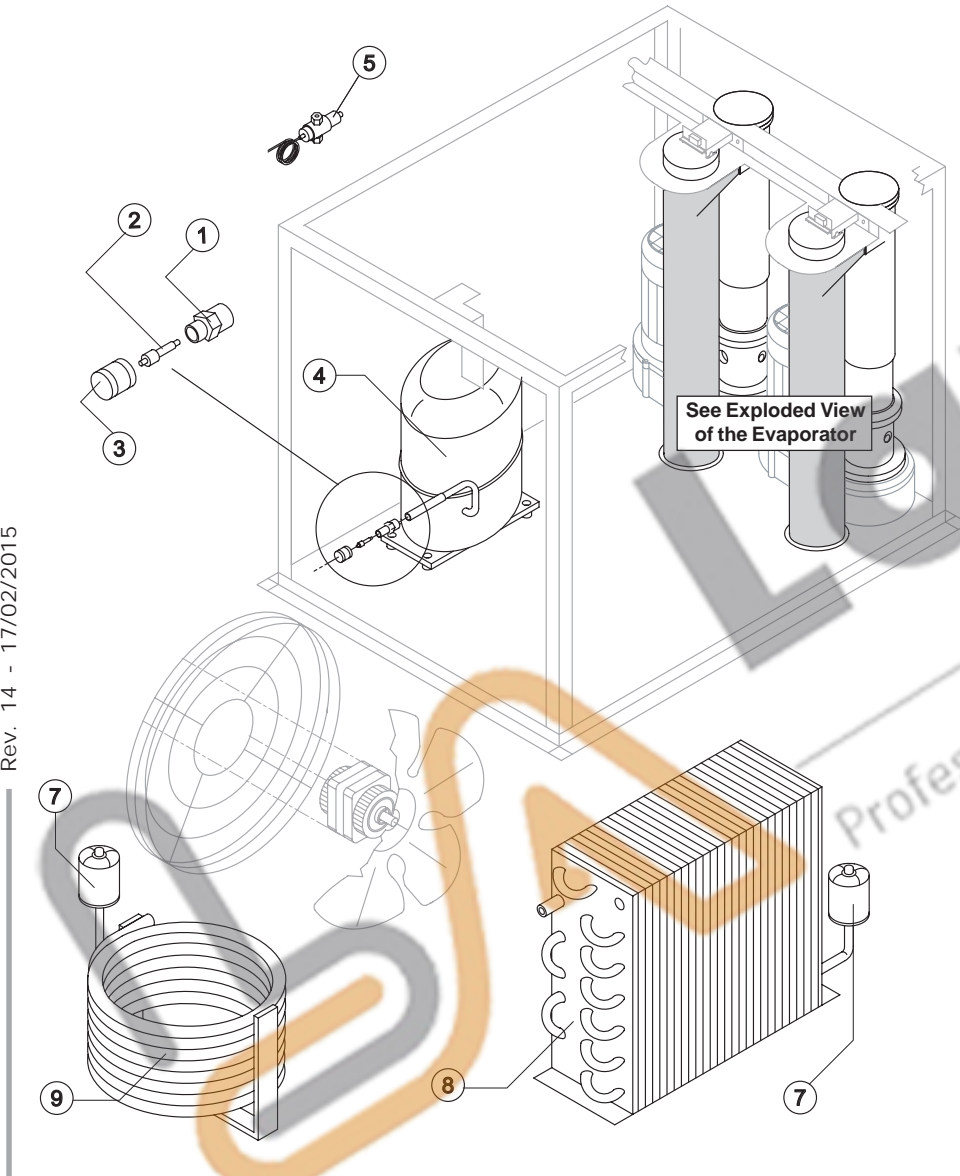
Tension	Code
T15	N23091
T17	N23091

Ref. 11 - Compressor

Voltage	Current Version	Till s/n. 715079
T15	N231112	N23583
T17	N231112	N23583

Rev. 14 - 17/02/2015





Common Parts

Ref.	Spare Description	Code
1	Vacuum-Charge Valve Body	N14007
2*	Vacuum-Charge Valve Device	N14005
3*	Vacuum-Charge Valve Plug	N14006
4	Compressor	See Table
7*	Solid Core Drier	N14255

Parts for Air-Cooled Version Only

Ref.	Spare Description	Code
8	Air Condenser	N20396

Parts for Water-Cooled Version Only

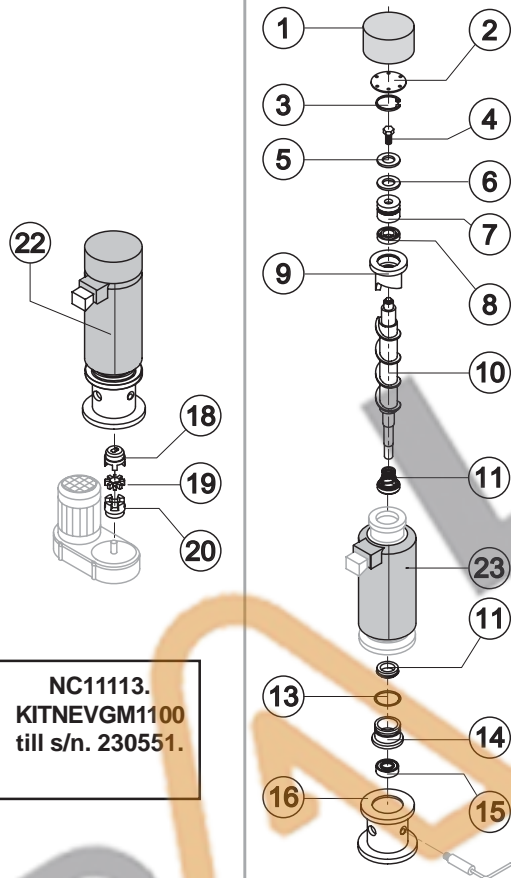
Ref.	Spare Description	Code
5	Pressostatic Valve	N20149
9	Water Condenser	N14285

Ref. 4 - Compressor

Voltage	Code
T15	N23583
T16	N23618



Ref.	Spare Description (from s/n. 218278)	Code
1	Insulating Cap	N18165
2	Closing Disk	N22670
3	Seeger	N20116
4	Stainless Steel Screw	N20664
5	Shimming Disk	N22829
6	Self-Lubricating Disk	N20639
7	Stainless Steel Thrust Bearing	N20685
8	OR Gasket 4137	N20689
9	Ice Breaker	N20781
10	Auger	N20780
11	Ceramic Seal	N20643
13	OR Gasket 4312 NBR	N20205
14	Reduction Ring	N20647
15	Stainless Steel Bearing	N20113
16	Flange	N20644
18	Semi-Joint Upper	ND20642
19	Vibration-Damping Elastomer	N20494
20	Semi-Joint Lower	ND20493
22	Evaporator Assy	Current Version NC11113
22	Evaporatoe Assy	Till s/n. 230551 NKITNEVGM1100



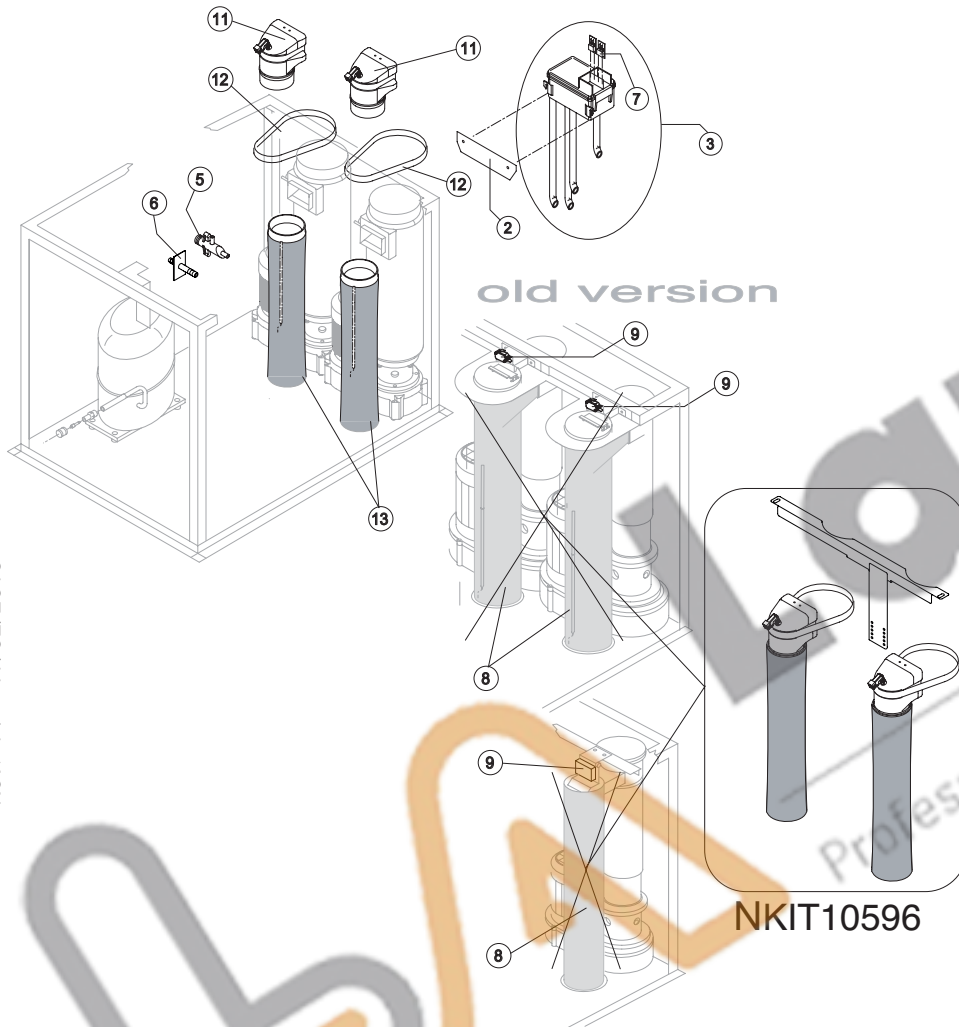
NC11113.
KITNEVGM1100
 till s/n. 230551.

For Complete
Evaporator, order
NC11113



GM 2000

HYDRAULIC CIRCUIT



Common Parts

Ref.	Spare Description	Code
2	Basin Support Plate	N21133
3*	Double Switch Basin Assembly	NC26768
5	Discharges Manifold	N10580
7	Microswitch	N23055
8	Complete Ice Outlet Pipe Assy	Till s/n. 498591 NKIT10596
9	Bin Level Control Microswitch	From s/n. 230552 till s/n. 498591 N23930
9	Bin Level Control Microswitch	Till s/n. 230551 N23055
11*	Ice Exhaust Assy with Micro	Current Version NC10585
12	Locking Exhaust Assy	Current Version N25049
13	Ice Outlet Pipe with Bin bulb holder	Current Version NC10657
13	Ice Outlet Pipe with Bin bulb holder	Fino a Matr. 603755 NK10588

Parts for Water-Cooled Version Only

Ref.	Spare Description	Code
6	Connection with Plate	Current Version N20984
6	Connection with Plate	Till s/n. 518879 NC20462

For ice makers till s/n. 230551 if you must substitute both ref. 9 and ref. 8 order the NKIT10596.



Common Parts

Ref.	Spare Description	Code
1	Safety Pressure-Switch (Maximum Pressure)	N23342
2	Safety Pressure-Switch (Minimum Pressure)	Current Version N23763
2	Safety Pressure-Switch (Minimum Pressure)	Till s/n. 275972 NK23763
4	Anti Radio Interference Filter	NC23457
5*	Green Light Switch (On-Off)	N23327
6*	1 Way- Water Inlet Valve	N23001
9*	Relay	N23190
10*	Contactora	N23147
12*	Bin Thermostat	Current Version NR231035
12*	Bin Thermostat	Till s/n. 603755 NR23421
14*	Rotation Sensor	NR231028
17	Gearmotor	N23638
19	Voltage control relay	From s/n. 541088 N23903

Parts for Air-Cooled Version Only

Ref.	Spare Description	Code
8*	Fan Motor	N23468
11*	Condenser Pressure Switch	N23175
13	Anti Radio Interference Filter	NC23459
15*	Fan Motor Capacitor	N23469
18	Fan Motor Grid	N12053

Parts for Water-Cooled Version Only

Rif.	Descrizione Ricambio	Codice
16	1 Way- Water Inlet Nipple	N10239

Rev. 14 - 17/02/2015

