



GM 1200

LIST OF THE EXPLODED VIEWS



SHELL ASSY

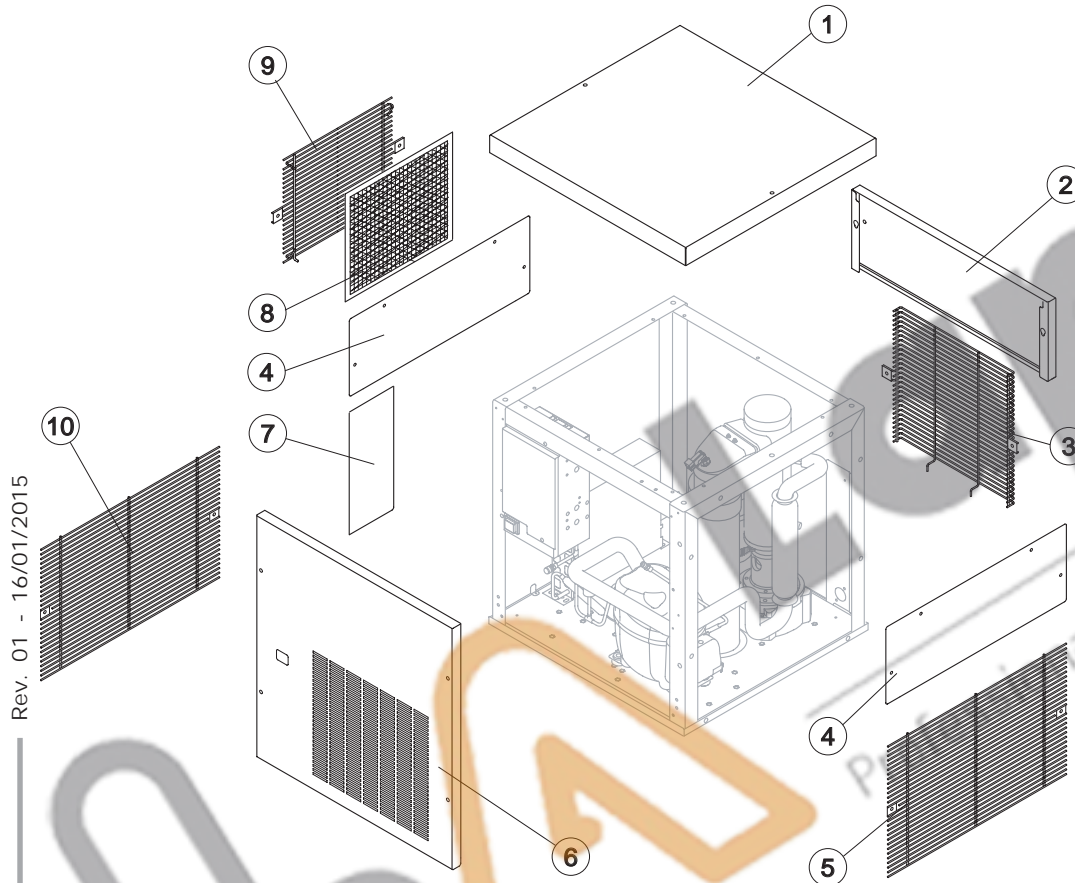
COOLING SYSTEM

EVAPORATOR

HYDRAULIC CIRCUIT

ELECTRIC PARTS

Rev. 01 - 16/01/2015



Rev. 01 - 16/01/2015

Common Parts

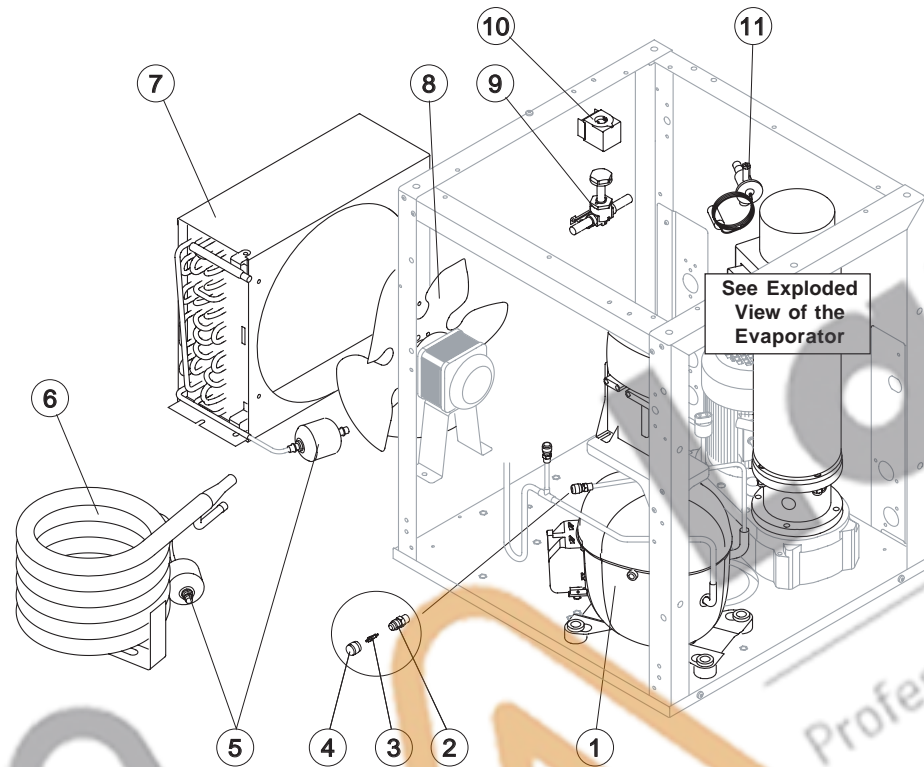
| Ref. | Spare Description | Code |
|------|-----------------------|---------|
| 1 | Top | N221518 |
| 2 | Back Panel | N221513 |
| 3 | Back Grill | ND12091 |
| 4 | Right/Left Side Panel | N221515 |
| 5 | Right Side Grill | ND12092 |
| 6 | Front Panel | N221511 |

Parts for Air-Cooled Version Only

| Ref. | Spare Description | Code |
|------|-----------------------|---------|
| 7 | Lower Left Side Panel | N221517 |
| 8* | Filter | N18246 |
| 9 | Left Side Grill | ND12093 |

Parts for Water-Cooled Version Only

| Ref. | Spare Description | Code |
|------|-------------------|---------|
| 10 | Left Side Grill | ND12092 |



Common Parts

| Ref. | Spare Description | Code |
|------|----------------------------|-----------|
| 1 | Compressor | See Table |
| 2 | Vacuum-Charge Valve Body | N14007 |
| 3* | Vacuum-Charge Valve Device | N14005 |
| 4* | Vacuum-Charge Valve Plug | N14006 |
| 5* | Solid Core Drier | N14084 |
| 9 | Hot Gas Valve Body | N20409 |
| 10 | Hot Gas Valve Coil | N23091 |
| 11 | Expansion Valve | N201004 |

Parts for Air-Cooled Version Only

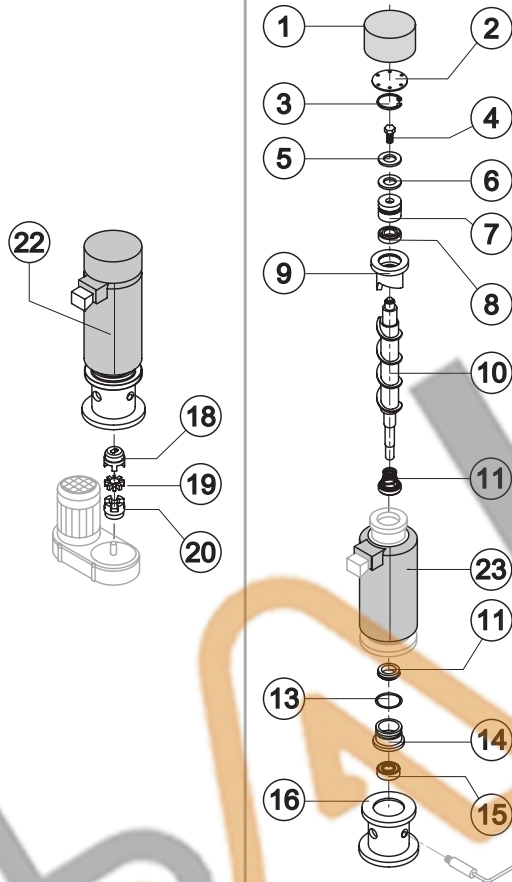
| Ref. | Spare Description | Code |
|------|-------------------|--------|
| 7 | Air Condenser | N20675 |
| 8 | Sucking Fan | N20407 |

Parts for Water-Cooled Version Only

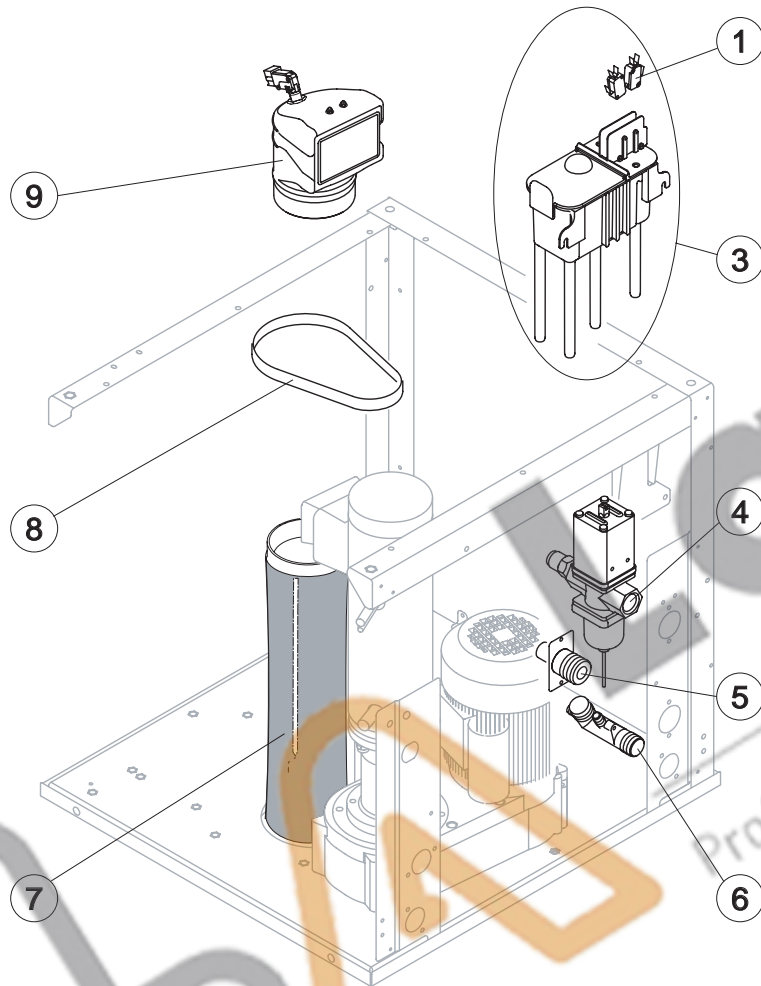
| Ref. | Spare Description | Code |
|------|-------------------|--------|
| 6 | Water Condenser | N14678 |

Rif. 1 - Compressor

| Voltage | Code |
|---------|---------|
| T11 | N231118 |
| T12 | N231121 |



| Rif. | Descrizione Ricambio | Codice |
|------|--------------------------------|---------|
| 1 | Insulating Cap | N18165 |
| 2 | Closing Disk | N22670 |
| 3 | Seeger | N20116 |
| 4 | Stainless Steel Screw | N20664 |
| 5 | Shimming Disk | N22829 |
| 6 | Self-Lubricating Disk | N20639 |
| 7 | Stainless Steel Thrust Bearing | N20685 |
| 8 | OR Gasket 4137 | N20689 |
| 9 | Ice Breaker | N20781 |
| 10 | Auger | N20780 |
| 11 | Ceramic Seal | N20643 |
| 13 | OR Gasket 4312 NBR | N20205 |
| 14 | Reduction Ring | N20647 |
| 15 | Stainless Steel Bearing | N20113 |
| 16 | Flange | N20644 |
| 18 | Semi-Joint Upper | ND20642 |
| 19 | Vibration-Damping Elastomer | N20494 |
| 20 | Semi-Joint Lower | ND20493 |
| 22 | Evaporator Assy | NC11113 |
| 23 | Insulating Cap | N18181 |



Common Parts

| Ref. | Spare Description | Code |
|------|---------------------------------------|---------|
| 1 | Microswitch | N23055 |
| 3* | Double Switch Basin Assembly | NC10686 |
| 6 | Discharges Manifold | N10579 |
| 7 | Ice Outlet Pipe with Bin bulbo holder | NC10657 |
| 8 | Locking Exhaust Strip | N25049 |
| 9* | Ice Exhaust Assy with Micro | NC10585 |

Parts for Water-Cooled Version Only

| Ref. | Spare Description | Code |
|------|---------------------------------|---------|
| 4 | Water regulating valve assembly | NC20967 |
| 5 | Drain manifold | N20984 |



Common Parts

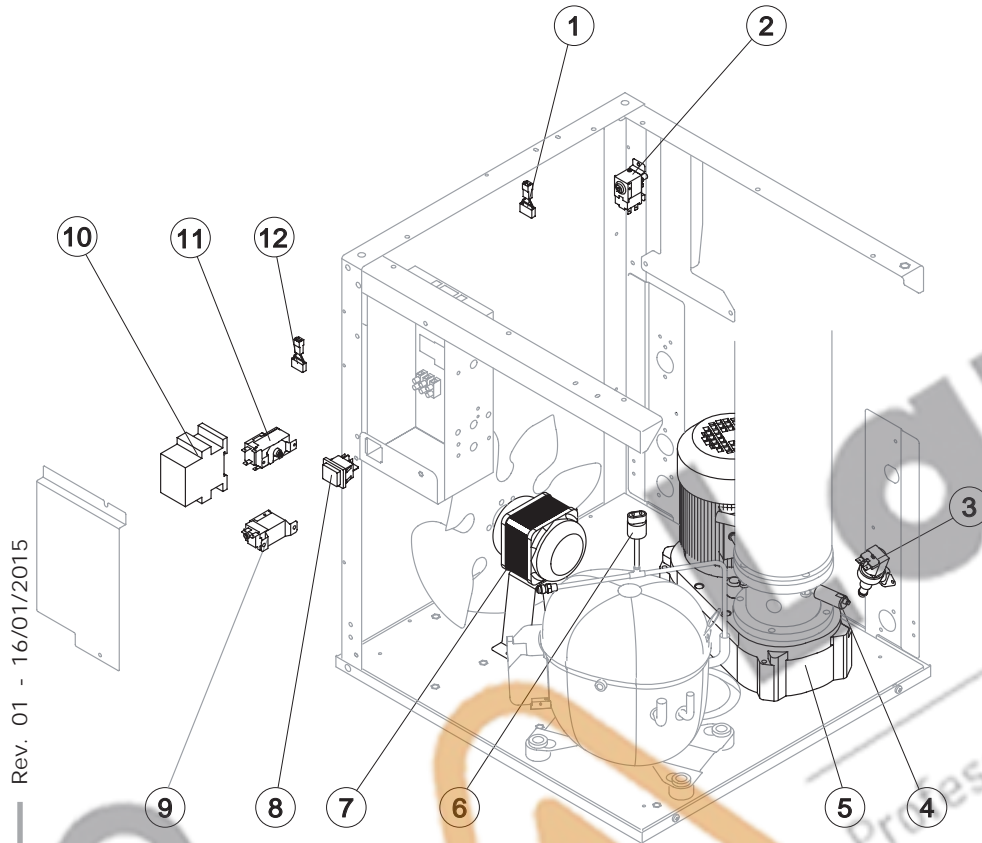
| Ref. | Spare Description | | Code |
|------|--------------------------------|-----|-----------|
| 1 | Anti Radio Interference Filter | T11 | NC23457 |
| 2 | Safety Pressure Switch | | N23342 |
| 3* | 1 Way- Water Inlet Valve | | N23115 |
| 4 | Rotation Sensor | | NR231028 |
| 5 | Gearmotor | | N23638 |
| 6 | Low pressure safety switch | | N23909 |
| 8* | Green Light Switch (On-Off) | | N23327 |
| 10* | Contactors | | See Table |
| 11* | Bin Thermostat | | NR231035 |

Parts for Air-Cooled Version Only

| Ref. | Spare Description | | Code |
|------|---------------------------|-----|---------|
| 7* | Fan Motor | | N23121 |
| 9* | Pressostato Condensatore | | N23175 |
| 12 | Condenser Pressure Switch | T11 | NC23459 |

Rif. 10* - Contactor

| Voltage | Code |
|---------|--------|
| T11 | N23147 |
| T12 | N23963 |



Rev. 01 - 16/01/2015