



# CV950

# LIST OF THE EXPLODED VIEWS

SHELL ASSY

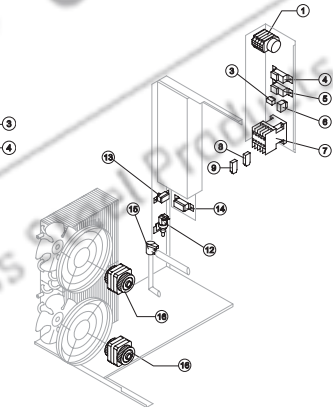
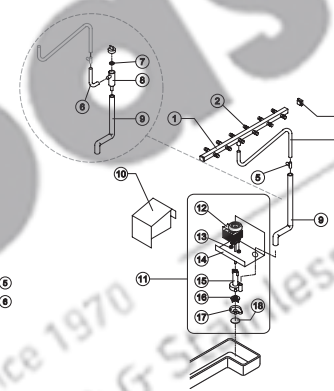
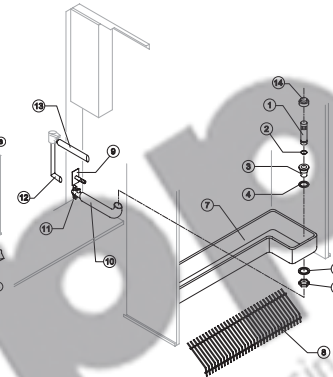
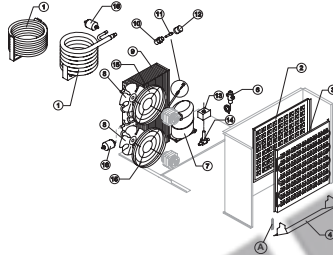
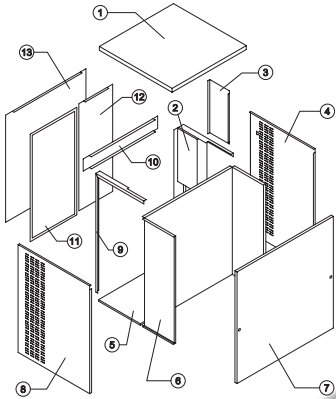
COOLING SYSTEM

HYDRAULIC CIRCUIT

SPRAYER PUMP

ELECTRIC PARTS

From s/n. 297566  
up Today



SHELL ASSY

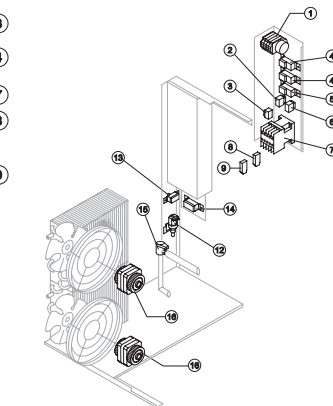
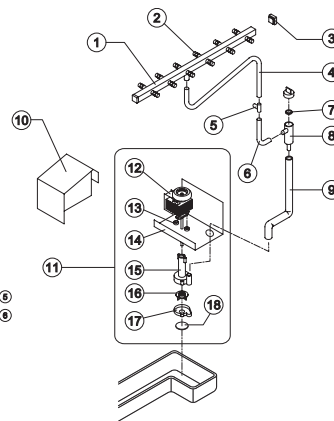
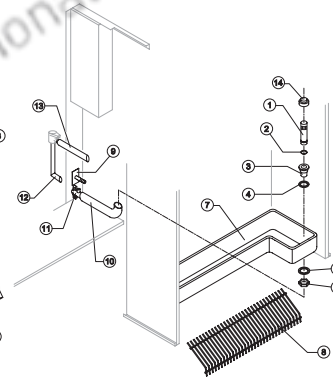
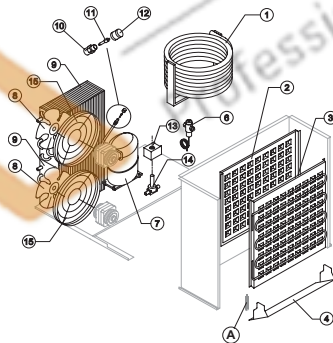
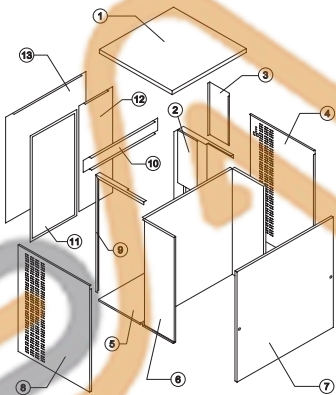
COOLING SYSTEM

HYDRAULIC CIRCUIT

SPRAYER PUMP

ELECTRIC PARTS

From s/n.141196  
Till s/n. 297565



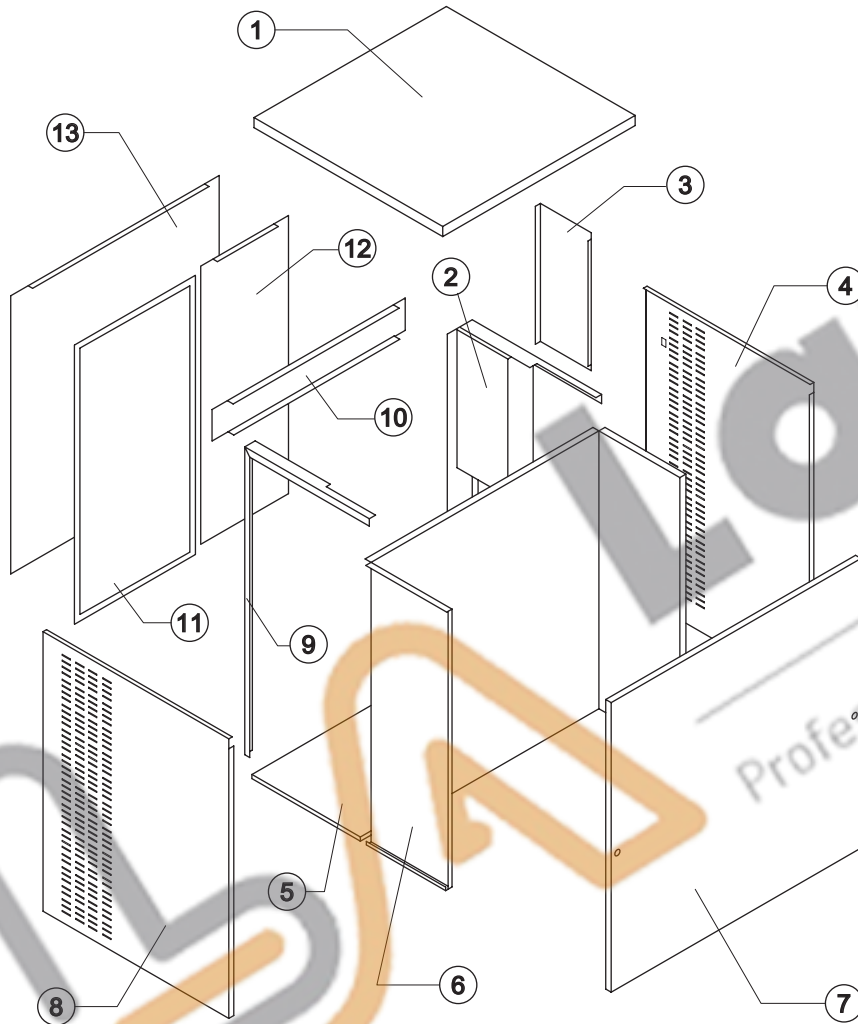
Rev. 10 - 30/07/2015



# CV950

From s/n. 297566 up Today

## SHELL ASSY



### Common Parts

Ref.	Spare Description	Code
1	Top Assembly	NC22813
2	Right Angle Bar	N22814
3	Electrical Box Cover	N21323
4	Right Side Panel	N22408
5	Base Plate	N22812
6	Evaporator Chamber	N22819
7	Front Panel Assembly	NC22816
8	Left Side Panel	N22822
9	Left Angle Bar	N22820
10	Rear Cross Bar	N22817

### Parts for Air-Cooled Version Only

Ref.	Spare Description	Code
11*	Filter	N18166
12	Rear Panel	N21287

### Parts for Water-Cooled Version Only

Ref.	Spare Description	Code
13	Rear Panel	N21285

Rev. 10 - 30/07/2015

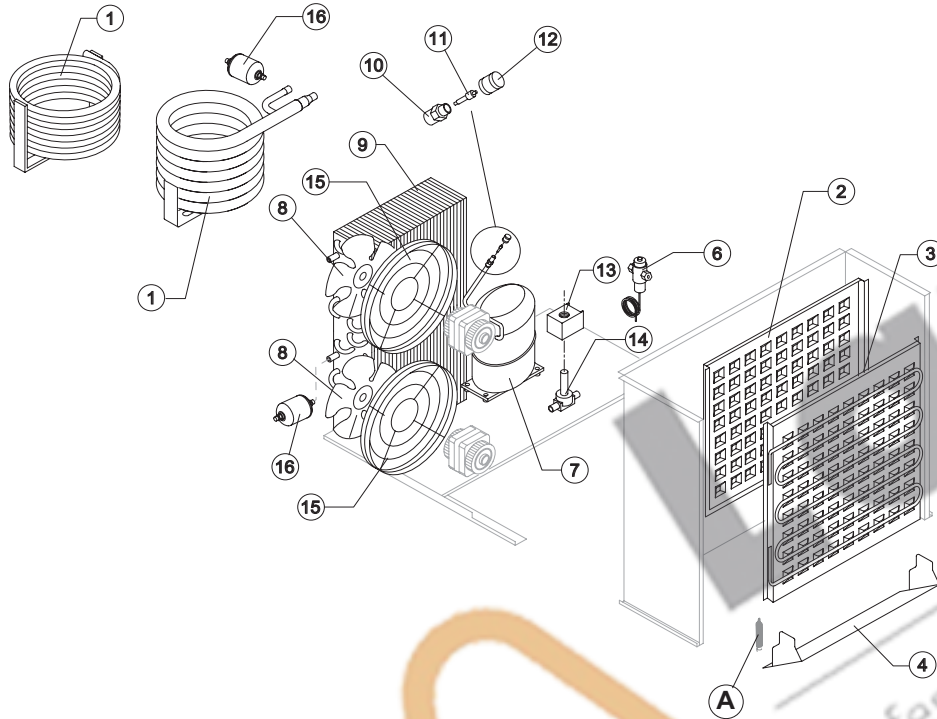


# CV 950

From s/n. 297566 up Today

# COOLING SYSTEM

Till s/n. 515427



### Common Parts

Ref.	Spare Description	Code
2	Evaporator (Back)	ND10227
3	Evaporatore (Front)	ND10228
4	Horizontally Hinged Panel	N22608
7	Compressor	See Table
10	Vacuum-Charge Valve Body	N14007
11*	Vacuum-Charge Valve Device	N14005
12*	Vacuum-Charge Valve Plug	N14006
13*	Hot Gas Valve Coil	N23091
14*	Hot Gas Valve Body	N20409
16*	Liquid Line Drier	N14084

### Parts for Air-Cooled Version Only

Ref.	Spare Description	Code
8	Sucking Fan	N20407
9	Air Condenser	N20838
15	Fan Motor Grid	N12056

### Parts for Water-Cooled Version Only

Ref.	Spare Description	Code	
1	Water Condenser	Current Version	14660
1	Water Condenser	Till s/n. 515427	14285
6	Pressostatic Valve		20149



Eliminated the Spring (horizontally hinged panel) ref. A, suggested removal even from the models where they are present.

### Ref. 7 - Compressor

Tension	Code Current Version	Code Till s/n. 661502
T11	N231079	N23647
T12	N231081	N23651



# CV 950

From s/n. 297566 up Today

# HYDRAULIC CIRCUIT

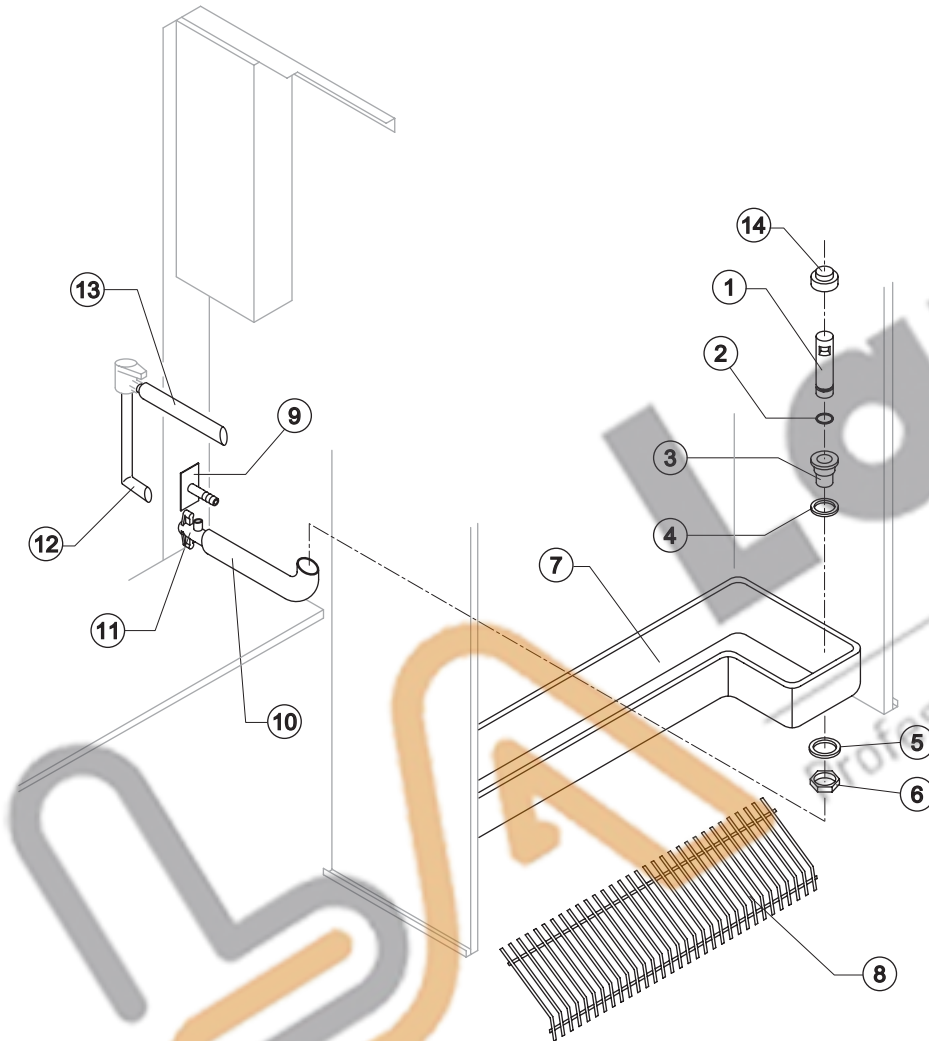
### Common Parts

Ref.	Spare Description	Code
1*	Overflow Pipe	N10399
2*	OR Gasket for Overflow Pipe	N20233
3	Overflow Pipe Nipple	N10471
4	Silicone Gasket	N13006
5	Semirigid Polyethylene Gasket	N13007
6	Bin Discharge Nut	N10096
7	Water Basin	N10395
8	Ice Cubes Slide	ND12057
10	Overflow Pipe Nipple	N13120
11	Drain Nipple	N10431
12	Discharge Valve Connection Pipe - Discharge	N13040
13	Discharge Valve Connection Pipe ("T"Shaped)	N13102
14*	Overflow Cap	N10305

### Parts for Water-Cooled Version Only

Ref.	Spare Description	Code
9	Conenction with Plate	NC20462

Rev. 10 - 30/07/2015

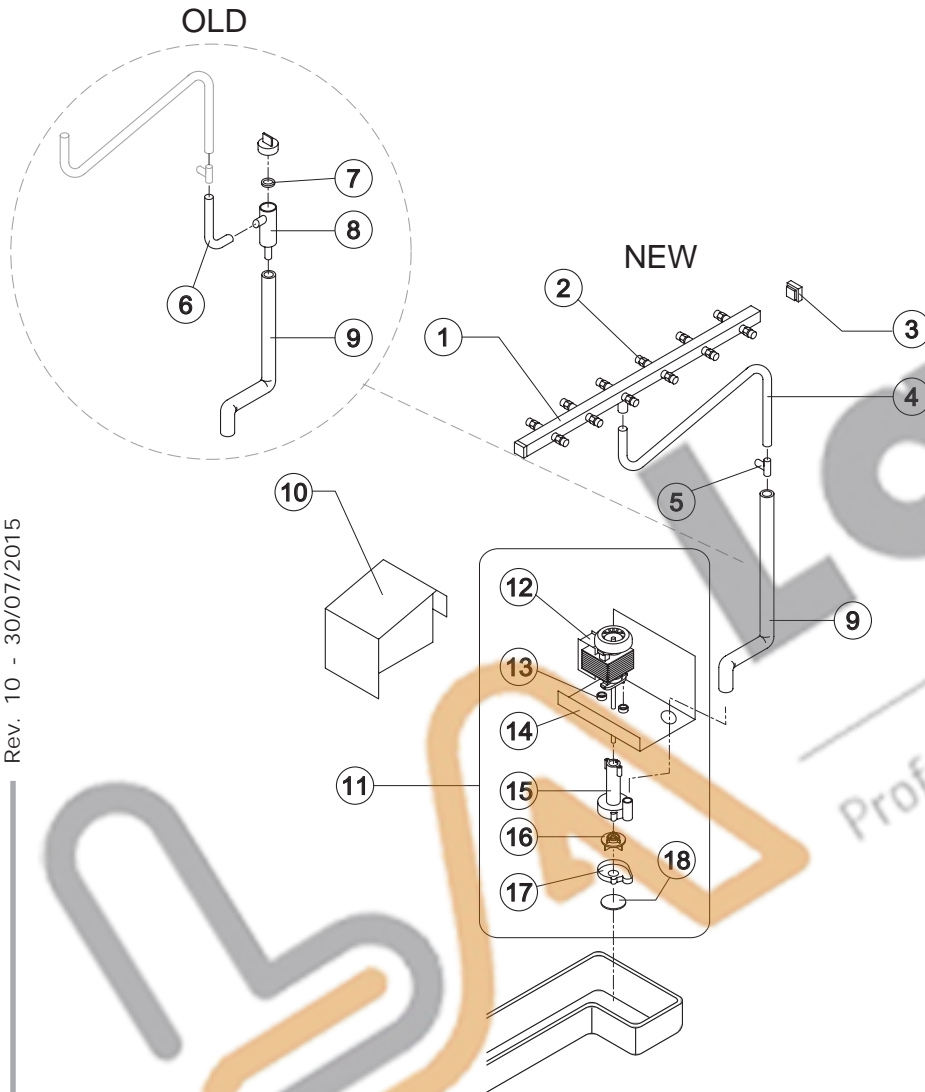




# CV950

From s/n. 297566 up Today

# SPRAYER PUMP



Ref.	Spare Description	Code
1*	Sprayers Bar Assembly	NC20617
2	Sprayer	ND20002
3	Sprayers Bar Plug	N10012
4	Sprinkler Ba Connection Pipe ("T" Shaped)	N13134
5	Plastic "T" ø 20	N10082
6	Sprayers Feeding Pipe	OLD Version N13005
7	Pump Filter Gasket	OLD Version N13080
8	Pump Filter	OLD Version N10139
9	"T" - Pump Connection Pipe	See Table -
10	Protection Pump Panel	N22804
11*	Pump Assembly	See Table -
12	Pump	See Table -
13	Pump Motor Shim	N20510
14	Pump Motor Support	N22799
15	Pump Body	N10065
16	Pump Impeller	See Table -
17	Diffusor	N10067
18	Pump Filter	N20518

### Ref. 9 - "T"-Pump Connection Pipe

Version	Code
NEW	N13113
OLD	N13157

### Ref. 11\* - Pump Assembly

Tension	Code
220/240V 50 Hz	NC23626
220/230V 60 Hz	NC23627

### Ref. 12 - Pump

Tension	Code
220/240V 50 Hz	N23600
220/230V 60 Hz	N23601

### Ref. 16 - Pump Impeller

Tension	Code
220/240V 50 Hz	N10066
220/230V 60 Hz	N10138

Rev. 10 - 30/07/2015



### Common Parts

Ref.	Spare Description	Code
1*	Timer	See Table
3	"Cleaning" Switch	N23619
4*	Bin Thermostat	NR23005
5*	Evaporator Thermostat	NR23597
6*	Green Light Switch (On-Off)	N23327
7*	Contactor	See Table
12*	1 Way- Water Inlet Valve	N23623
13	Safety Pressure Switch	N23342
15*	Water Outlet Valve	N23537

### Parts for Air-Cooled Version Only

Ref.	Spare Description	Code
8	Anti Radio Interference Filter	Only 220V 50 Hz NC23459
9	Anti Radio Interference Filter	Only 220V 50 Hz NC23458
14*	Condenser Pressure Switch	N23175
16*	Fan Motor	N23121

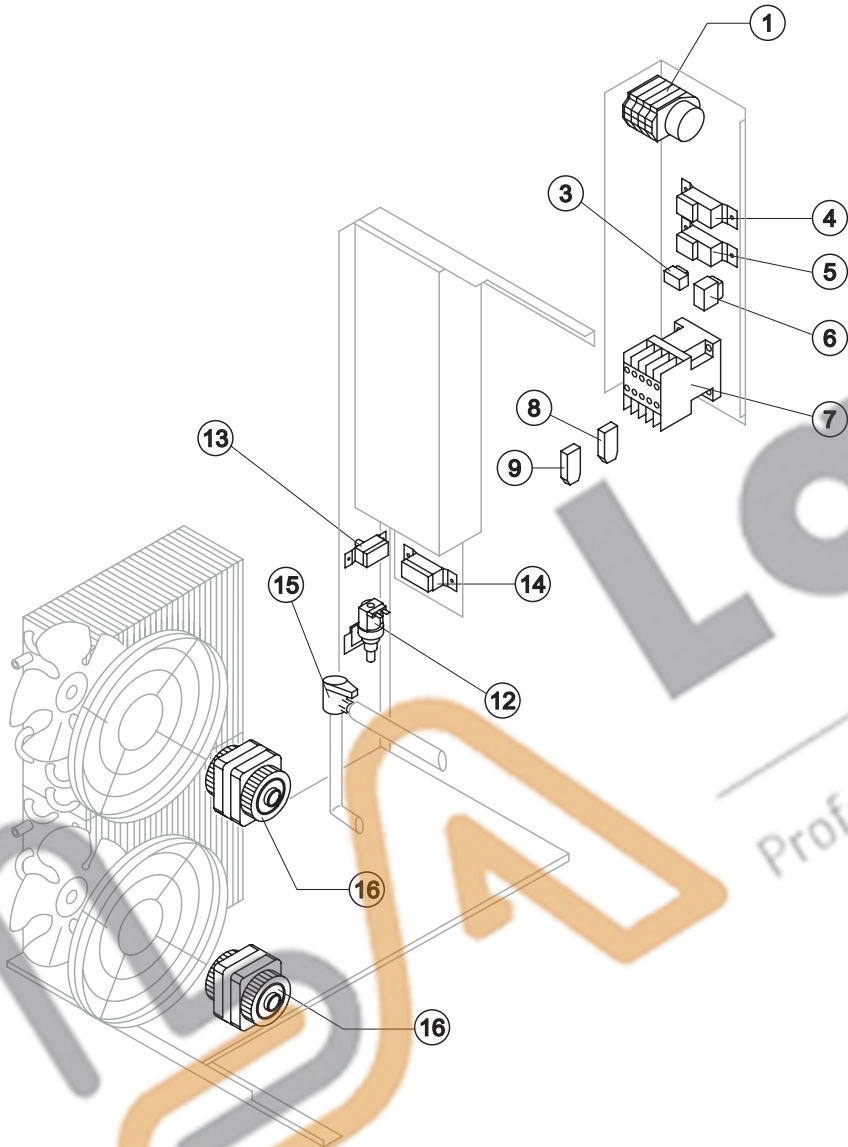
### Ref. 1\* - Timer

Tension	Code
220/240V 50 Hz	N23635
220/230V 60 Hz	N23632

### Ref. 7\* - Contactor

Voltage	Code
T11	N23147
T12	N23963

Rev. 10 - 30/07/2015

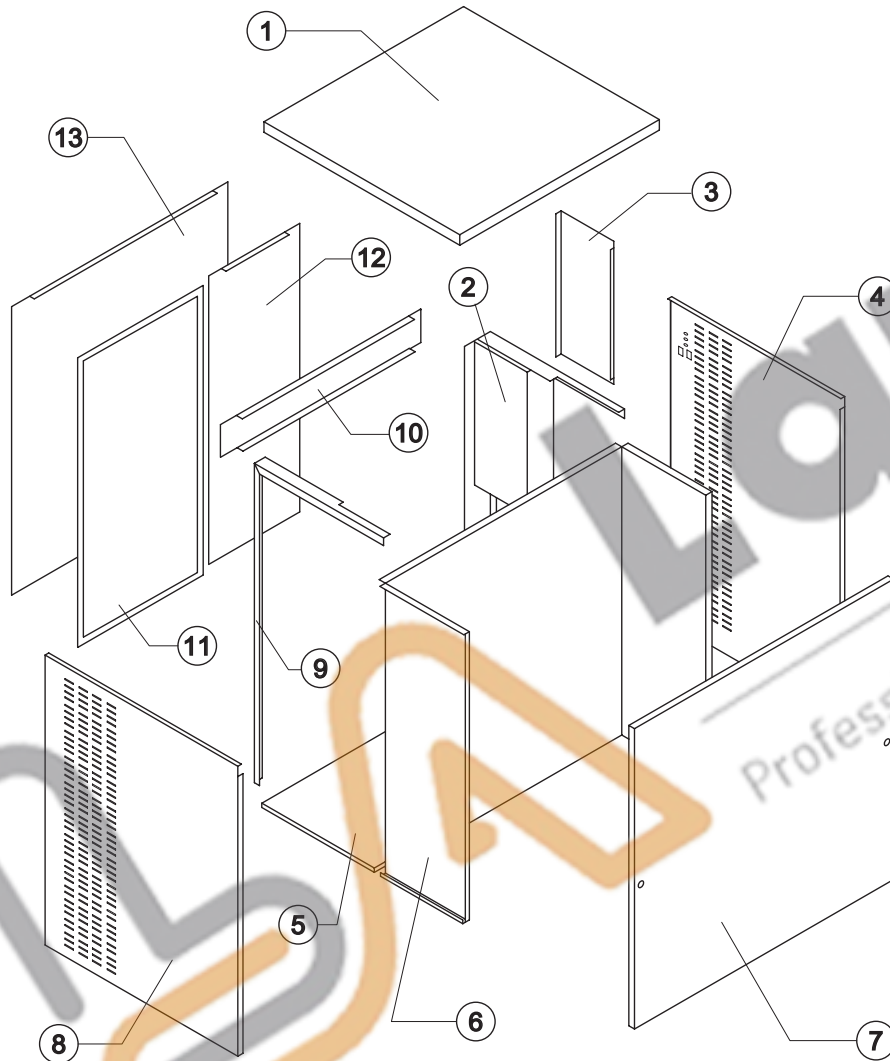




# CV 950

From s/n. 141196 Till s/n. 297565

## SHELL ASSY



### Common Parts

Ref.	Spare Description	Code
1	Top Assembly	NC22813
2	Right Angle Bar	N22814
3	Electrical Box Cover	N21274
4	Right Side Panel	N22821
5	Base Plate	N22812
6	Evaporator Chamber	N22819
7	Front Panel Assembly	NC22816
8	Left Side Panel	N22822
9	Left Angle Bar	N22820
10	Rear Cross Bar	N22817

### Parts for Air-Cooled Version Only

Ref.	Spare Description	Code
11	Filter	N18166
12	Rear Panel	N21287

### Parts for Water-Cooled Version Only

Ref.	Spare Description	Code
13	Rear Panel	N21285

Rev. 10 - 30/07/2015



# CV 950

From s/n. 141196 Till s/n. 297565

# COOLING SYSTEM

### Common Parts

Ref.	Spare Description	Code
2	Evaporator (Back)	ND10227
3	Evaporatore (Front)	ND10228
4	Horizontally Hinged Panel	N22608
7	Compressor	See Table
10	Vacuum-Charge Valve Body	N14007
11	Vacuum-Charge Valve Device	N14005
12	Vacuum-Charge Valve Plug	N14006
13	Hot Gas Valve Coil	N23091
14	Hot Gas Valve Body	N20409

### Parts for Air-Cooled Version Only

Ref.	Spare Description	Code
8	Sucking Fan	N20407
9	Air Condenser	N20670
15	Fan Motor Grid	N12056

### Parts for Water-Cooled Version Only

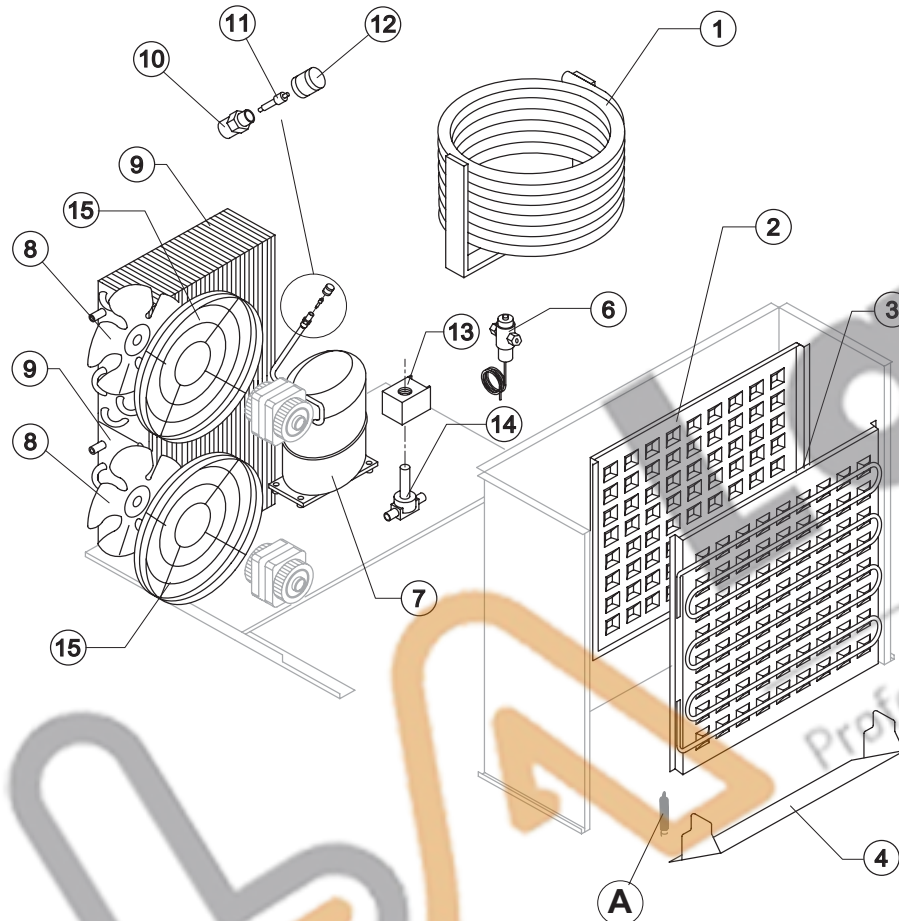
Ref.	Spare Description	Code
1	Water Condenser	N14285
6	Pressostatic Valve	N20149

**!** Eliminated the Spring (horizontally hinged panel) ref. A, suggested removal even from the models where they are present.

### Ref. 7 - Compressor

Tension	Code
220/240V 50 Hz	N23647
220/230V 60 Hz	N23651

Rev. 10 - 30/07/2015







# CV 950

From s/n. 141196 Till s/n. 297565

## HYDRAULIC CIRCUIT

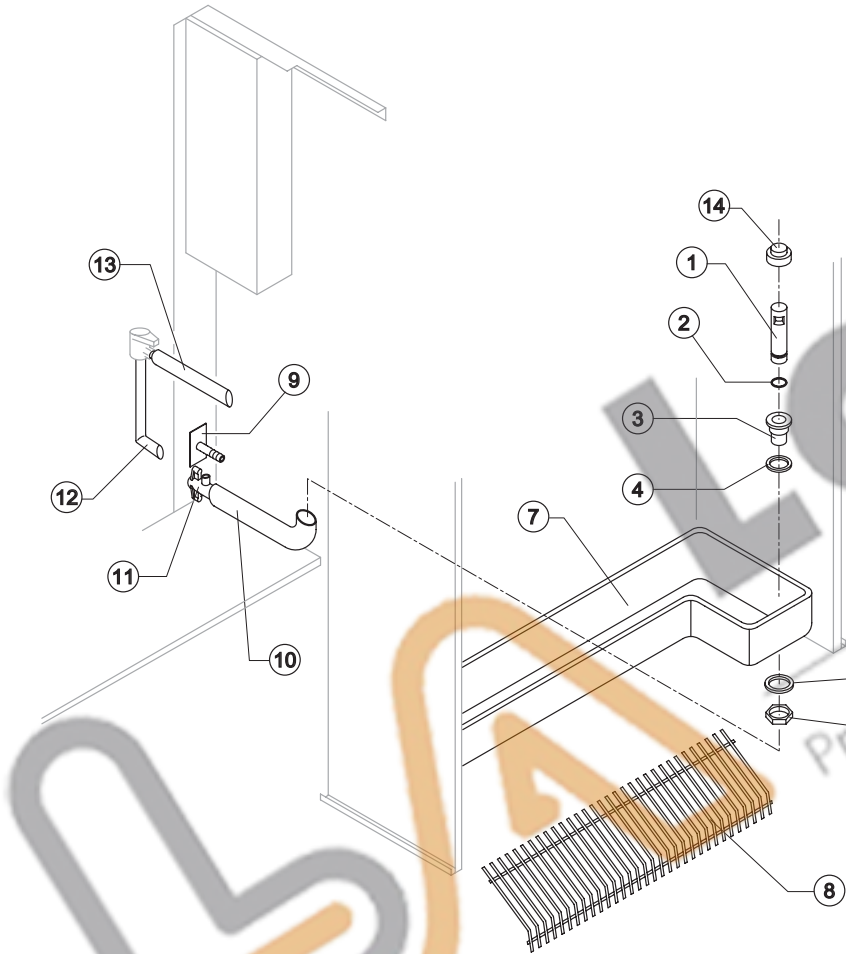
### Common Parts

Ref.	Spare Description	Code
1	Overflow Pipe	N10399
2	OR Gasket for Overflow Pipe	N20233
3	Silicone Gasket	N10241
4	Silicone Gasket	N13006
5	Semirigid Polyethylene Gasket	N13007
6	Bin Discharge Nut	N10096
7	Water Basin	N10395
8	Ice Cubes Slide	ND12057
10	Overflow Pipe Nipple	N13120
11	Drain Nipple	N10431
12	Discharge Valve Connection Pipe - Discharge	N13040
13	Discharge Valve Connection Pipe ("T"Shaped)	N13102
14	Overflow Cap	N10305

### Parts for Water-Cooled Version Only

Ref.	Spare Description	Code
9	Connection with Plate	NC20462

Rev. 10 - 30/07/2015

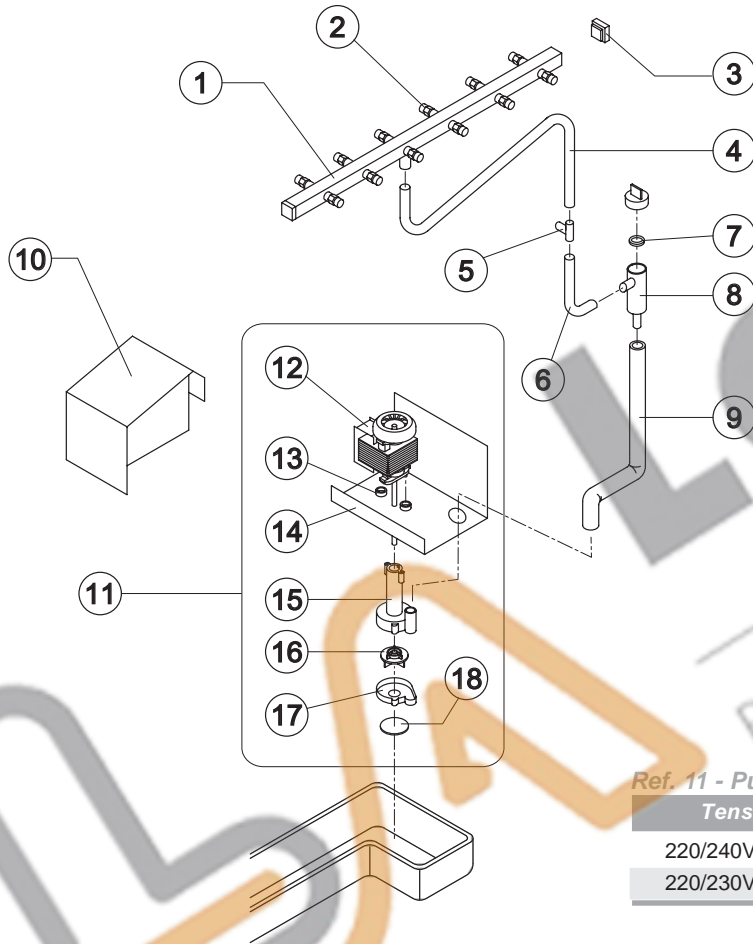




# CV 950

From s/n. 141196 Till s/n. 297565

# SPRAYER PUMP



Ref.	Spare Description	Code
1	Sprayers Bar Assembly	NC20617
2	Sprayer	ND20002
3	Sprayers Bar Plug	N10012
4	Sprinkler Ba Connection Pipe ("T" Shaped)	N13134
5	Plastic "T" ø 20	N10082
6	Sprayers Feeding Pipe	N13005
7	Pump Filter Gasket	N13080
8	Pump Filter	N10139
9	"T" - Pump Connection Pipe	N13157
10	Protection Pump Panel	N22804
11	Pump Assembly	See Table
12	Pump	See Table
13	Pump Motor Shim	N20510
14	Pump Motor Support	N22799
15	Pump Body	N10065
16	Pump Impeller	See Table
17	Diffusor	N10067
18	Pump Filter	N20518

Ref. 11 - Pump Assembly

Tension	Code
220/240V 50 Hz	NC23626
220/230V 60 Hz	NC23627

Ref. 12 - Pump

Tension	Code
220/240V 50 Hz	N23600
220/230V 60 Hz	N23601

Ref. 16 - Pump Impeller

Tension	Code
220/240V 50 Hz	N10066
220/230V 60 Hz	N10138

Rev. 10 - 30/07/2015



### Common Parts

Ref.	Spare Description	Code
1	Timer	See Table
2	Light Switch "Economy-Full"	N23611
3	"Cleaning" Switch	N23619
4	Bin Thermostat	NR23005
5	Evaporator Thermostat	NR23597
6	Green Light Switch (On-Off)	N23327
7	Contactors	See Table
12	1 Way- Water Inlet Valve	N23623
13	Safety Pressure Switch	N23342
15	Water Outlet Valve	N23537

### Parts for Air-Cooled Version Only

Ref.	Spare Description	Code
8	Anti Radio Interference Filter	Only 220V 50 Hz NC23459
9	Anti Radio Interference Filter	Only 220V 50 Hz NC23458
14	Condenser Pressure Switch	N23175
16	Fan Motor	N23121

### Ref. 1 - Timer

Tension	Code
220/240V 50 Hz	N23635
220/230V 60 Hz	N23632

### Ref. 7\* - Contactor

Voltage	Code
T11	N23147
T12	N23963

Rev. 10 - 30/07/2015

