



CV475

LIST OF THE EXPLODED VIEWS

SHELL ASSY

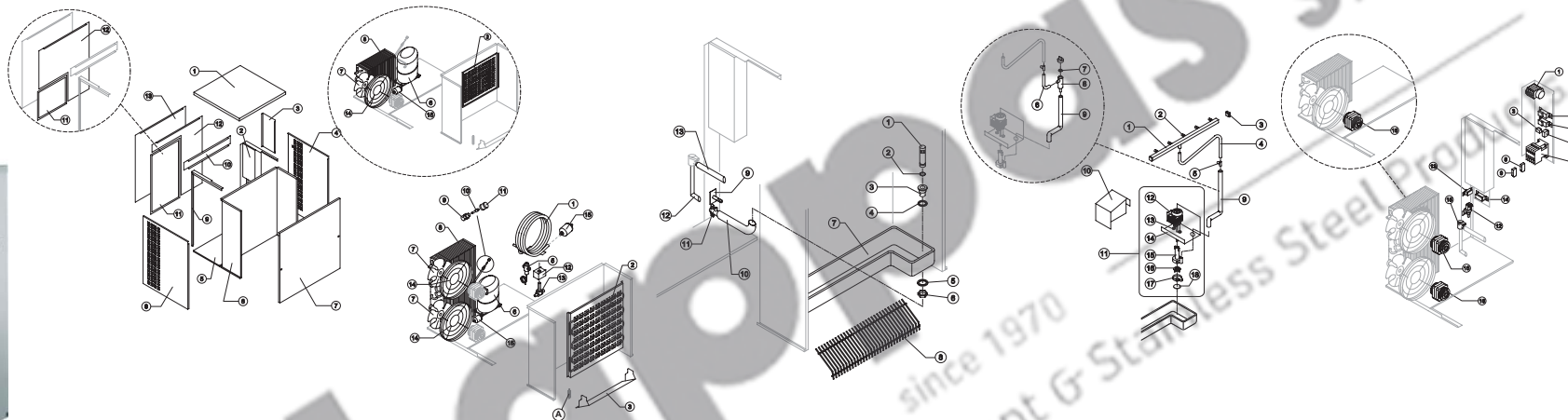
COOLING SYSTEM

HYDRAULIC CIRCUIT

SPRAYER PUMP

ELECTRIC PARTS

From s/n. 297566
up Today



SHELL ASSY

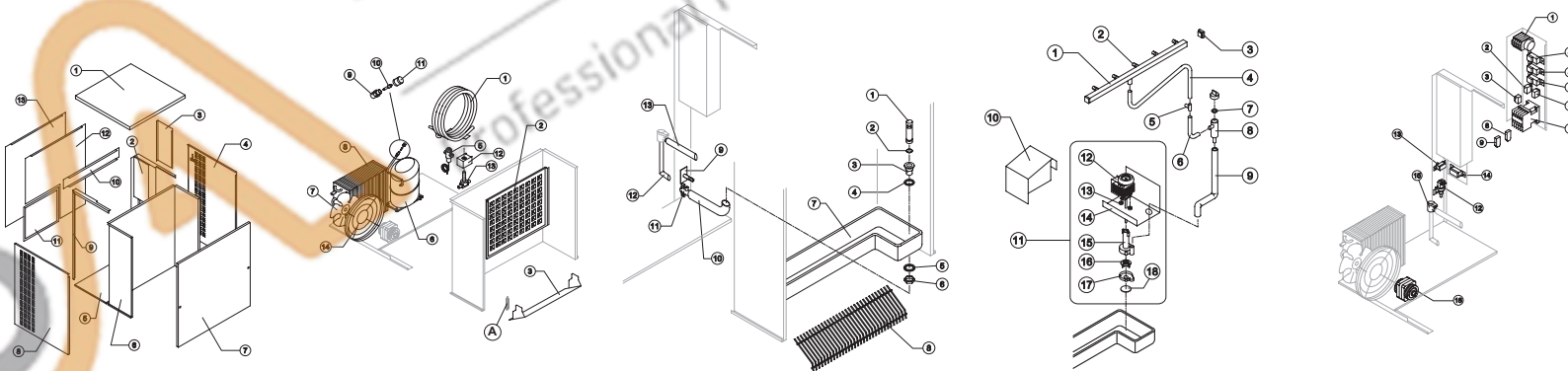
COOLING SYSTEM

HYDRAULIC CIRCUIT

SPRAYER PUMP

ELECTRIC PARTS

From s/n.141196
till s/n. 297565



Rev. 9 - 30/07/2015

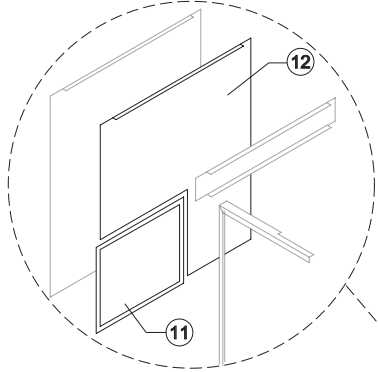


CV475

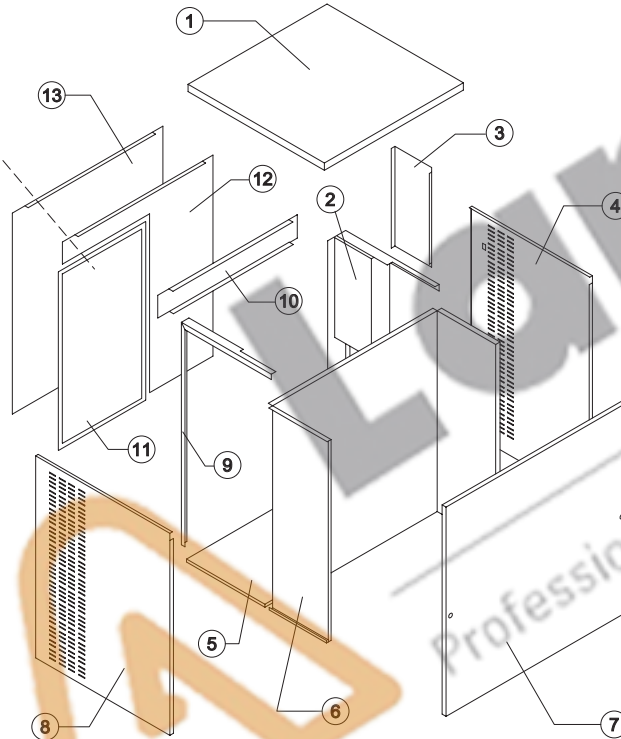
From s/n. 297566 up Today

SHELL ASSY

OLD



NEW



Common Parts

Ref.	Spare Description	Code
1	Top Assembly	NC22813
2	Right Angle Bar	N22814
3	Electrical Box Cover	N21323
4	Right Side Panel	N22408
5	Base Plate	N22812
6	Evaporator Chamber	N22819
7	Front Panel Assembly	NC22816
8	Left Side Panel	N22822
9	Left Angle Bar	N22820
10	Rear Cross Bar	N22817

Parts for Air-Cooled Version Only

Ref.	Spare Description	Code
11*	Filter	See Table -
12	Rear Panel	See Table -

Parts for Water-Cooled Version Only

Ref.	Spare Description	Code
13	Rear Panel	N21285

Ref. 11 - Filter

Version	Code
NEW	N18178
OLD	N18163

Ref. 12 - Rear Panel

Version	Code
NEW	N21324
OLD	N21286

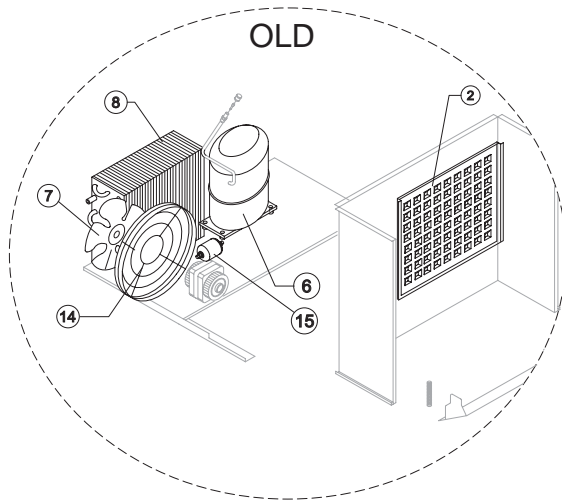
Rev. 9 - 30/07/2015



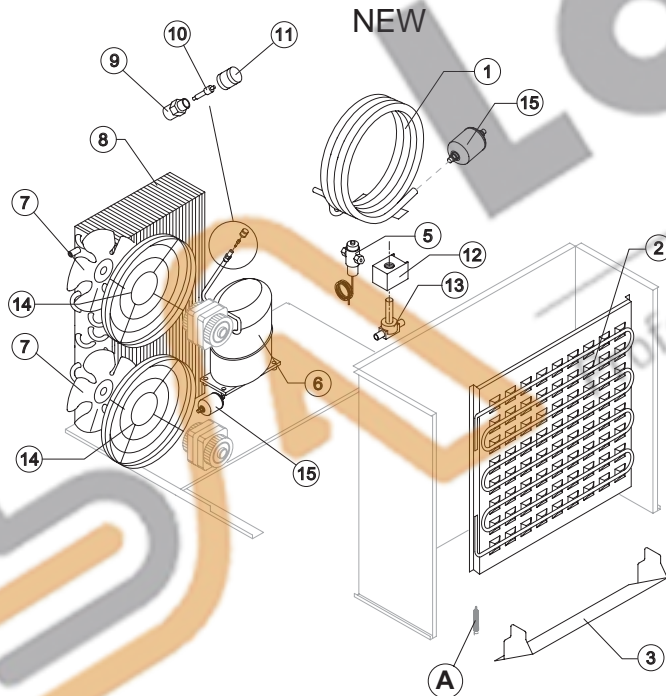
CV475

From s/n. 297566 up Today

COOLING SYSTEM



OLD



NEW

Common Parts

Ref.	Spare Description	Code
2	Evaporator	See Table -
3	Horizontally Hinged Panel	N22608
6	Compressor	See Table -
9	Vacuum-Charge Valve Body	N14007
10*	Vacuum-Charge Valve Device	N14005
11*	Vacuum-Charge Valve Plug	N14006
12*	Hot Gas Valve Coil	N23091
13*	Hot Gas Valve Body	N20409
15*	Liquid Line Drier	N14084

Parts for Air-Cooled Version Only

Ref.	Spare Description	Code
7	Sucking Fan	See Table -
8	Air Condenser	See Table -
14	Fan Motor Grid	N12054

Parts for Water-Cooled Version Only

Ref.	Spare Description	Code
1	Water Condenser	N14081
5	Pressostatic Valve	N20210

! Eliminated the Spring (horizontally hinged panel) ref. A, suggested removal even from the models where they are present.

Ref. 1 - Evaporator

Version	Code
NEW	ND10228
OLD	ND10227

Ref. 7 - Sucking Fan

Version	Code
NEW	N20153
OLD	N20407

Ref. 6 - Compressor

Tension	NEW	OLD
220/240V 50 Hz	N23840	N23543
220/230V 60 Hz	N23897	N23642

Ref. 8 - Air Condenser

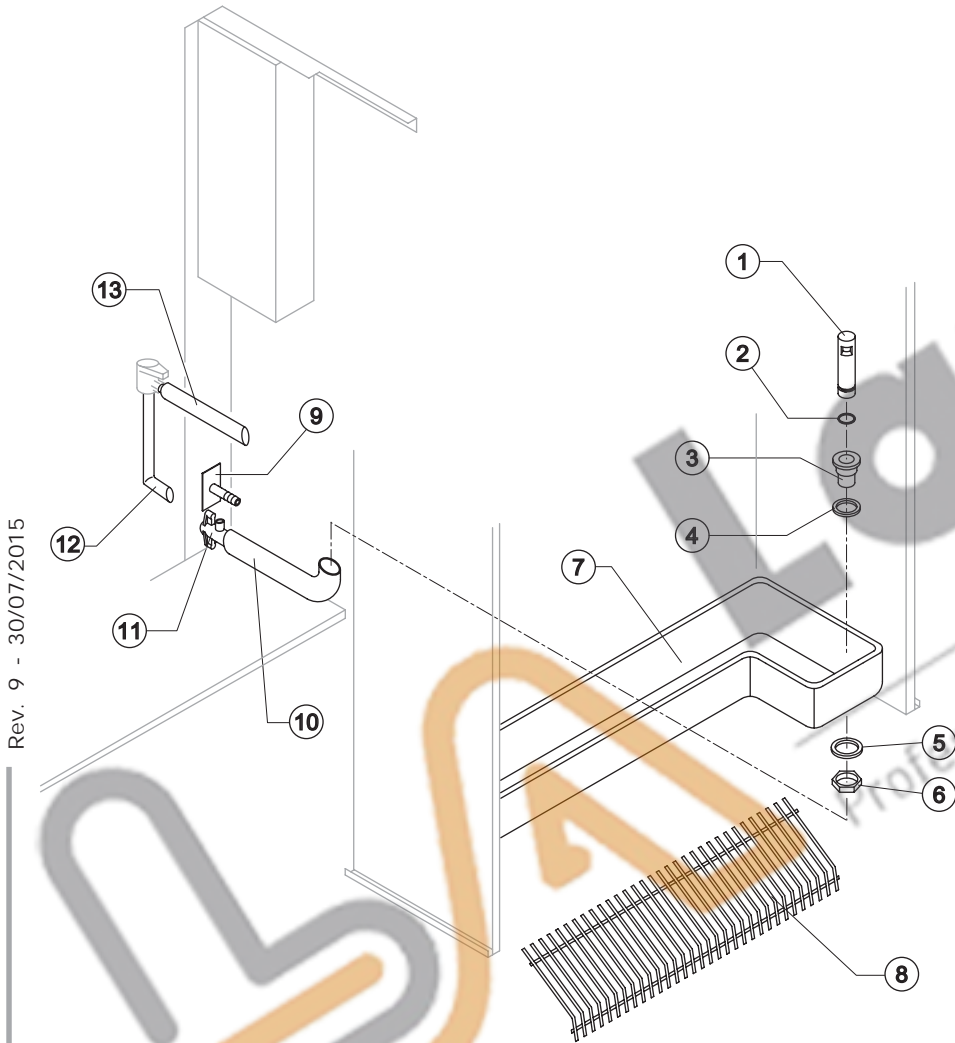
Version	Code
NEW	N20406
OLD	N20670



CV 475

From s/n. 297566 up Today

HYDRAULIC CIRCUIT



Rev. 9 - 30/07/2015

Common Parts

Ref.	Spare Description	Code
1*	Overflow Pipe	N10133
2*	OR Gasket for Overflow Pipe	N20233
3	Overflow Pipe Nipple	N10471
4	Silicone Gasket	N13006
5	Semirigid Polyethylene Gasket	N13007
6	Bin Discharge Nut	N10096
7	Water Basin	N10395
8	Ice Cubes Slide	ND12057
10	Overflow Pipe Nipple	N13120
11	Drain Nipple	N10431
12	Discharge Valve Connection Pipe - Discharge	N13040
13	Discharge Valve Connection Pipe ("T" Shaped)	N13102

Parts for Water-Cooled Version Only

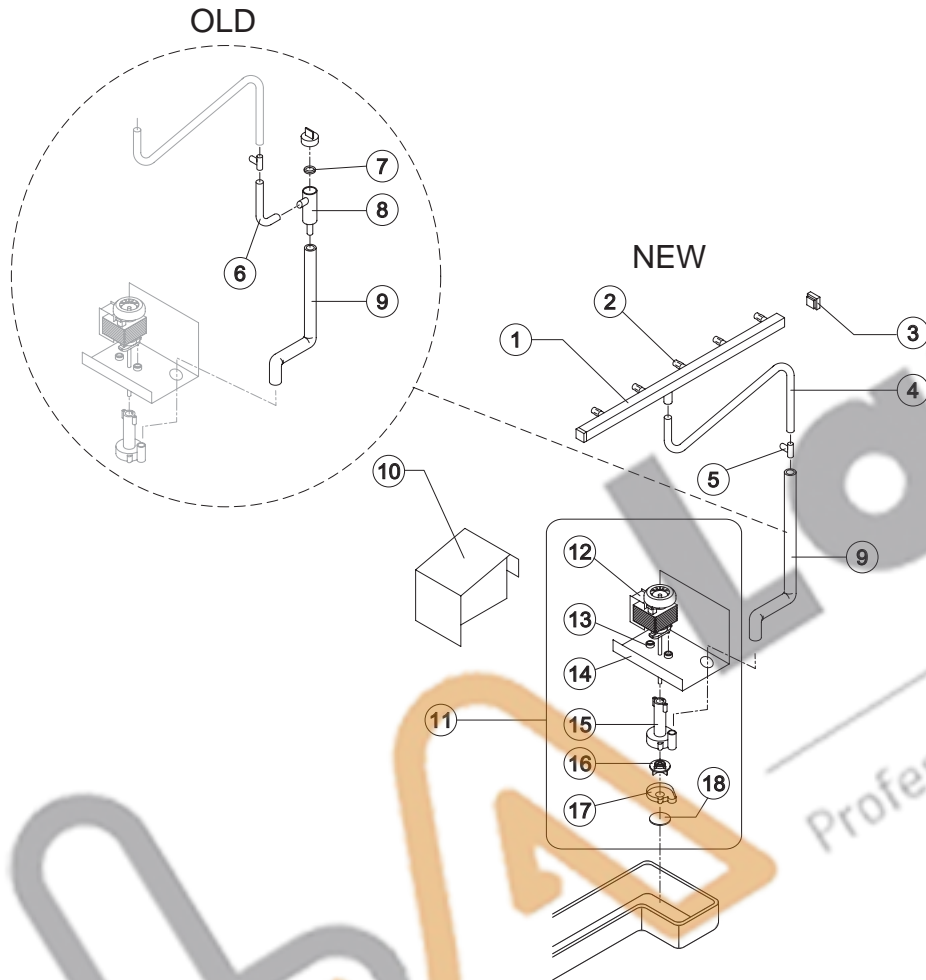
Ref.	Spare Description	Code
9	Connection with Plate	NC20462



CV475

From s/n. 297566 up Today

SPRAYER PUMP



Ref.	Spare Description	Code
1*	Sprayers Bar Assembly	NC20465
2	Sprayer	ND20002
3	Sprayers Bar Plug	N10012
4	Sprinkler Bar Connecting Pipe ("T" Shaped)	N13134
5	Plastic "T" ø 20	N10082
6	Sprayers Feeding Pipe	OLD Version N13005
7	Pump Filter Gasket	OLD Version N13080
8	Pump Filter	OLD Version OLD Version N10139
9	"T" - Pump Connection Pipe	See Table -
10	Protection Pump Panel	N22804
11*	Pump Assembly	See Table -
12	Pump	See Table -
13	Pump Motor Shim	N20510
14	Pump Motor Support	N22799
15	Pump Body	N10065
16	Pump Impeller	See Table -
17	Diffusor	N10067
18	Pump Filter	N20518

Ref. 9 - "T" - Pump Connection Pipe

Version	Code
NEW	N13113
OLD	N13157

Ref. 11* - Pump Assy

Tension	Code
220/240V 50 Hz	NC23624
220/230V 60 Hz	NC23616

Ref. 12 - Pump

Tension	Code
220/240V 50 Hz	N23073
220/230V 60 Hz	N23187

Ref. 16 - Pump Impeller

Tension	Code
220/240V 50 Hz	N10066
220/230V 60 Hz	N10138

Rev. 9 - 30/07/2015

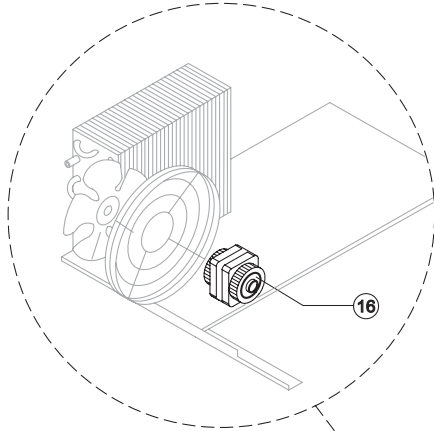


CV475

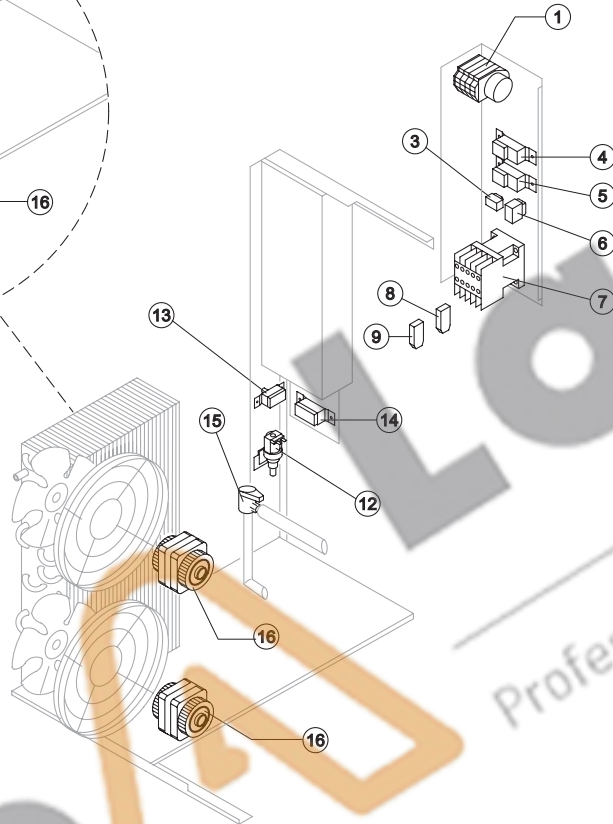
From s/n. 297566 up Today

ELECTRIC PARTS

OLD



NEW



Common Parts

Ref.	Spare Description	Code
1*	Timer	See Table
3	"Cleaning" Switch	N23619
4*	Bin Thermostat	NR23005
5*	Evaporator Thermostat	NR23597
6*	Green Light Switch (On-Off)	N23327
7*	Contactor	See Table
12*	1 Way- Water Inlet Valve	N23787
13	Safety Pressure Switch	N23342
15*	Water Outlet Valve	N23537

Parts for Air-Cooled Version Only

Ref.	Spare Description	Code
8	Anti Radio Interference Filter	Only 220V 50 Hz NC23459
9	Anti Radio Interference Filter	Only 220V 50 Hz NC23458
14*	Condenser Pressure Switch	N23175
16*	Fan Motor	N23121

Ref. 1* - Timer

Tensione	Codice
220/240V 50 Hz	N23635
220/230V 60 Hz	N23632

Ref. 7* - Contactor

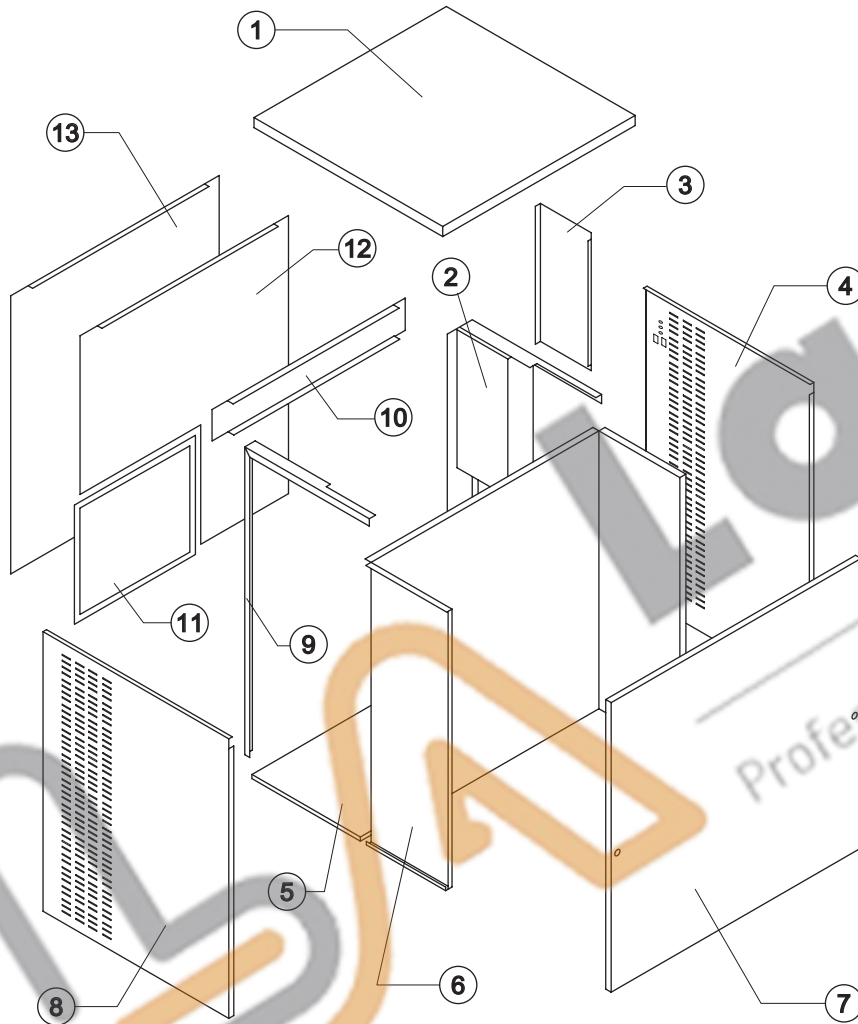
Voltage	Code
T11	N23147
T12	N23963



CV475

From s/n. 141196 till s/n. 297565

SHELL ASSY



Rev. 9 - 30/07/2015

Common Parts

Ref.	Spare Description	Code
1	Top Assembly	NC22813
2	Right Angle Bar	N22814
3	Electrical Box Cover	N21274
4	Right Side Panel	N22821
5	Base Plate	N22812
6	Evaporator Chamber	N22819
7	Front Panel Assembly	NC22816
8	Left Side Panel	N22822
9	Left Angle Bar	N22820
10	Rear Cross Bar	N22817

Parts for Air-Cooled Version Only

Ref.	Spare Description	Code
11	Filter	N18163
12	Rear Panel	N21286

Parts for Water-Cooled Version Only

Ref.	Spare Description	Code
13	Rear Panel	N21285



CV475

From s/n. 141196 till s/n. 297565

COOLING SYSTEM

Common parts

Ref.	Spare Description	Code
2	Evaporator	ND10227
3	Horizontally Hinged Panel	N22608
6	Compressor	See Table
9	Vacuum-Charge Valve Body	N14007
10	Vacuum-Charge Valve Device	N14005
11	Vacuum-Charge Valve Plug	N14006
12	Hot Gas Valve Coil	N23091
13	Hot Gas Valve Body	N20409

Parts for Air-Cooled Version Only

Ref.	Spare Description	Code
7	Sucking Fan	N20407
8	Air Condenser	N20670
14	Fan Motor Grid	N12056

Parts for Water-Cooled Version Only

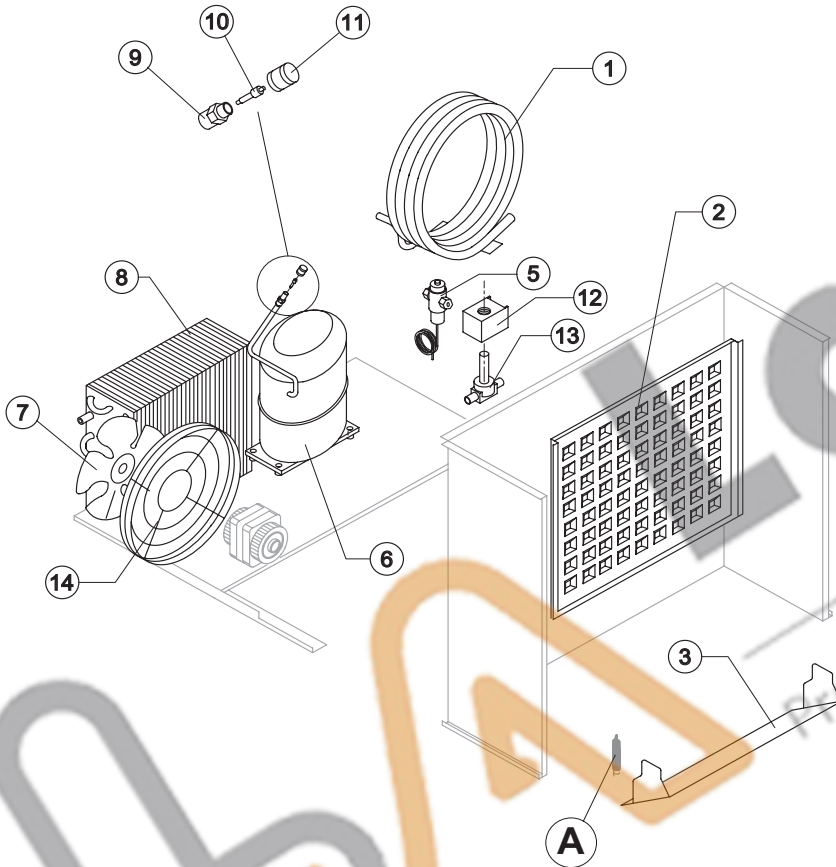
Ref.	Spare Description	Code
1	Water Condenser	N14081
5	Pressostatic Valve	N20210

! Eliminated the Spring (horizontally hinged panel) ref. A, suggested removal even from the models where they are present.

Ref. 6 - Compressor

Tension	Code
220/240V 50 Hz	N23543
220/230V 60 Hz	N23642

Rev. 9 - 30/07/2015

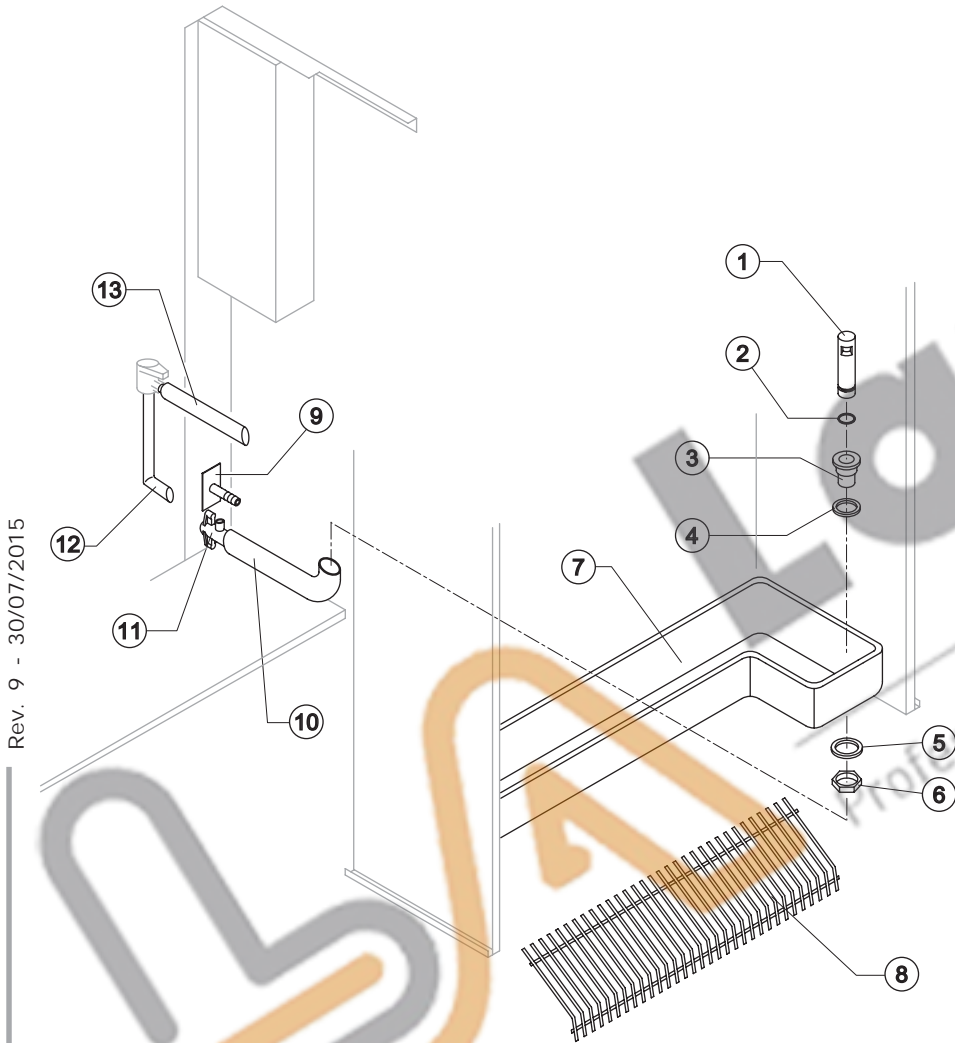




CV475

From s/n. 141196 till s/n. 297565

HYDRAULIC CIRCUIT



Common parts

Ref.	Spare Description	Code
1	Overflow Pipe	N10133
2	OR Gasket for Overflow Pipe	N20233
3	Overflow Pipe Nipple	N10241
4	Silicone Gasket	N13006
5	Semirigid Polyethylene Gasket	N13007
6	Bin Discharge Nut	N10096
7	Water Basin	N10395
8	Ice Cubes Slide	ND12057
10	Overflow Pipe Nipple	N13120
11	Drain Nipple	N10431
12	Discharge Valve Connection Pipe - Discharge	N13040
13	Discharge Valve Connection Pipe ("T" Shaped)	N13102

Parts for Water-Cooled Version Only

Ref.	Spare Description	Code
9	Connection with Plate	NC20462

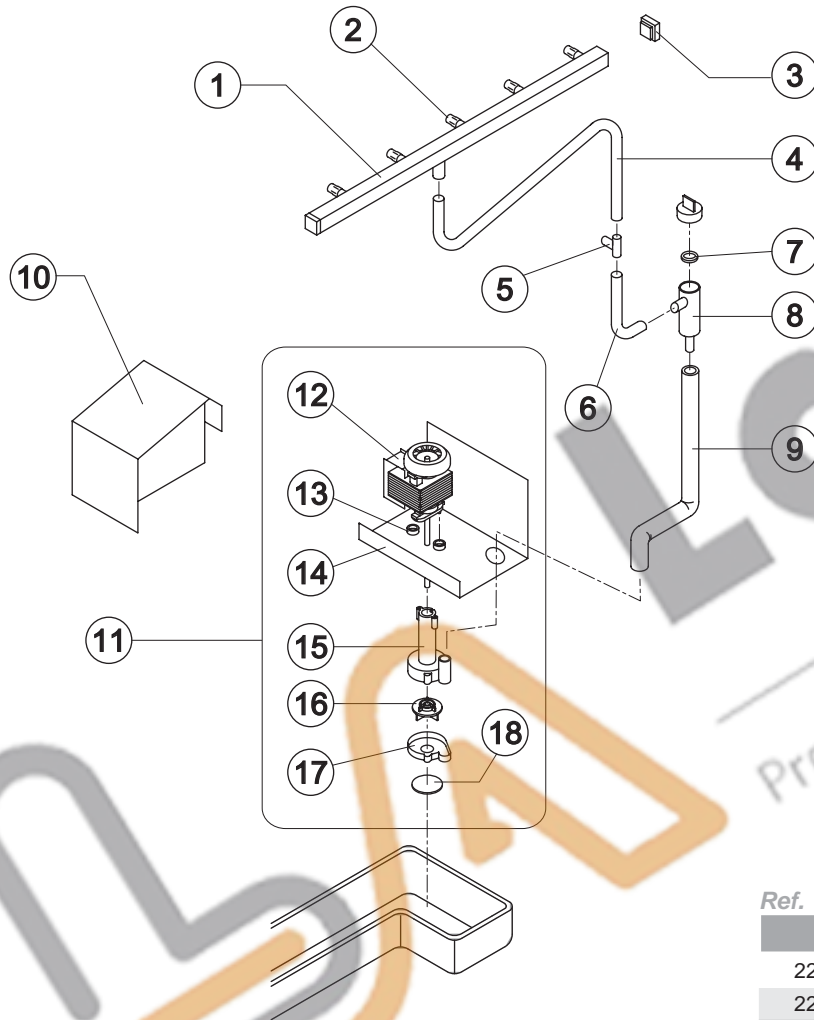
Rev. 9 - 30/07/2015



CV475

From s/n. 141196 till s/n. 297565

SPRAYER PUMP



Ref.	Spare Description	Code	
1	Sprayers Bar Assembly	NC20465	
2	Sprayer	ND20002	
3	Sprayers Bar Plug	N10012	
4	Sprinkler Bar Connecting Pipe ("T" Shaped)	N13134	
5	Plastic "T" \varnothing 20	N10082	
6	Sprayers Feeding Pipe	N13005	
7	Pump Filter Gasket	N13080	
8	Pump Filter	N10139	
9	"T" - Pump Connection Pipe	N13157	
10	Protection Pump Panel	N22804	
11	Pump Assembly	See Table	-
12	Pump	See Table	-
13	Thickness Pump Motor	N20510	
14	Pump Motor Support	N22799	
15	Pump Body	N10065	
16	Pump Impeller	See Table	-
17	Diffusor	N10067	
18	Pump Filter	N20518	

Ref. 11 - Pump Assy

Tension	Code
220/240V 50 Hz	NC23624
220/230V 60 Hz	NC23616

Ref. 12 - Pump

Tension	Code
220/240V 50 Hz	N23073
220/230V 60 Hz	N23187

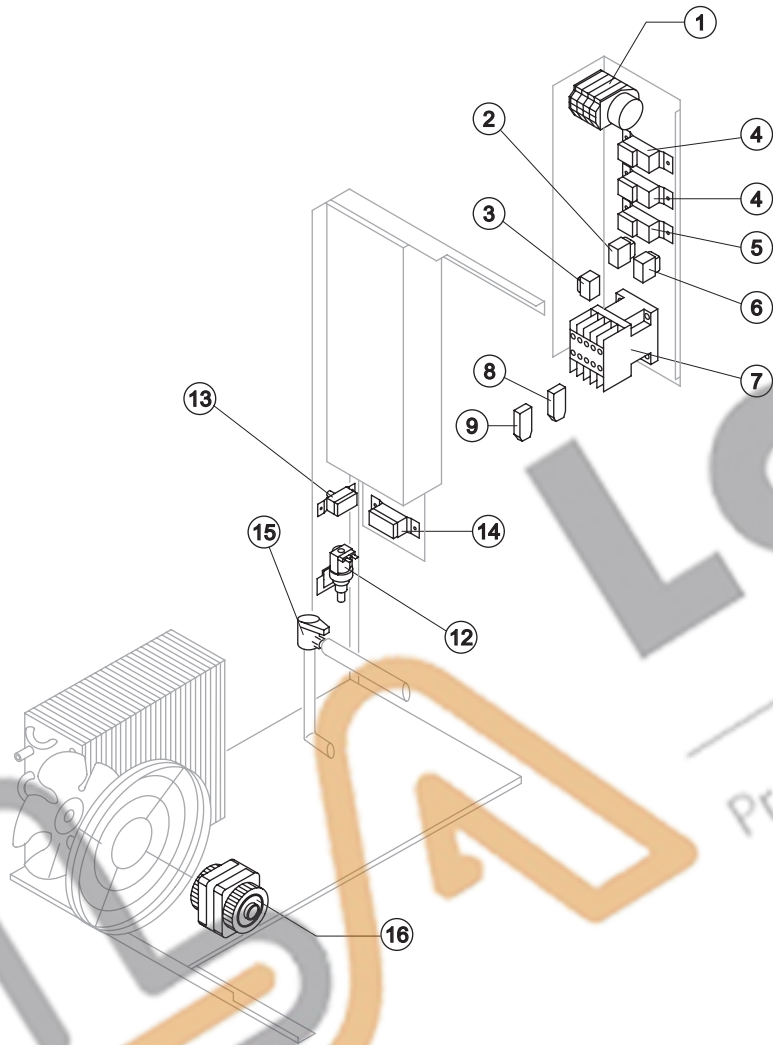
Ref. 16 - Pump Impeller

Tension	Code
220/240V 50 Hz	N10066
220/230V 60 Hz	N10138

Rev. 9 - 30/07/2015



Rev. 9 - 30/07/2015



Common parts

Ref.	Spare Description	Code
1	Timer	See Table
2	Light Switch "Economy-Full"	N23611
3	"Cleaning" Switch	N23619
4	Bin Thermostat	NR23005
5	Evaporator Thermostat	NR23597
6	Green Light Switch (On-Off)	N23327
7	Contactor	See Table
12	1 Way- Water Inlet Valve	N23787
13	Safety Pressure Switch	N23342
15	Water Outlet Valve	N23537

Parts for Air-Cooled Version Only

Ref.	Spare Description	Code
8	Anti Radio Interference Filter	Only 220V 50 Hz NC23459
9	Anti Radio Interference Filter	Only 220V 50 Hz NC23458
14	Condenser Pressure Switch	N23175
16	Fan Motor	N23121

Ref. 1 - Timer

Tension	Code
220/240V 50 Hz	N23635
220/230V 60 Hz	N23632

Ref. 7* - Contactor

Voltage	Code
T11	N23147
T12	N23963