

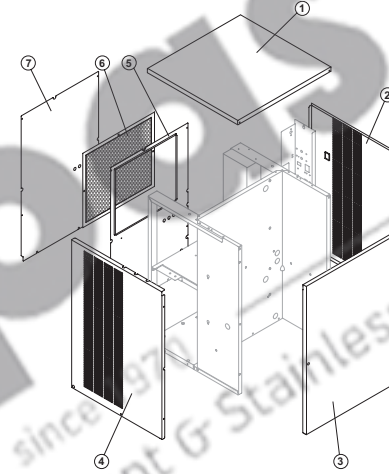


CV305

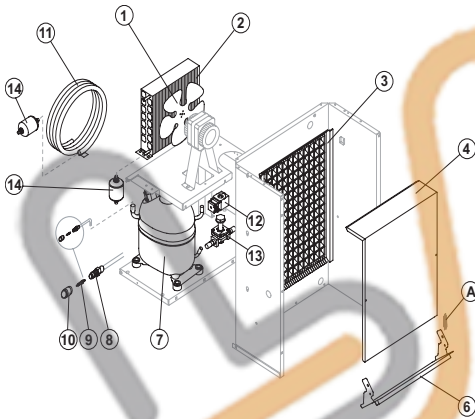
LIST OF THE EXPLODED VIEWS



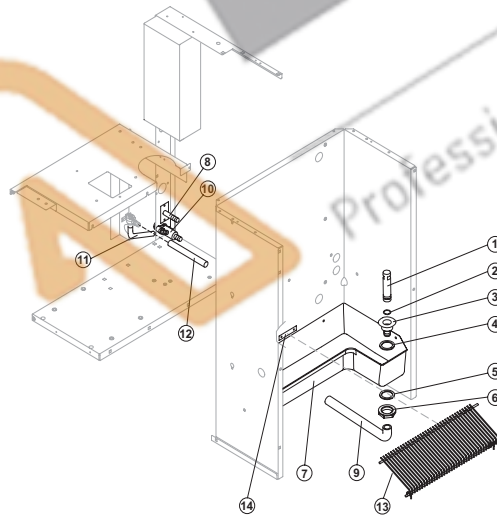
SHELL ASSY



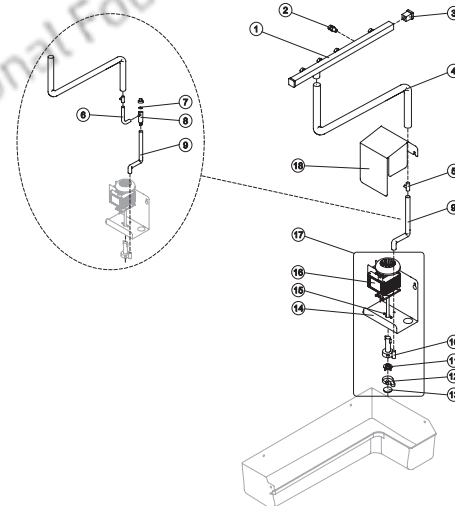
COOLING SYSTEM



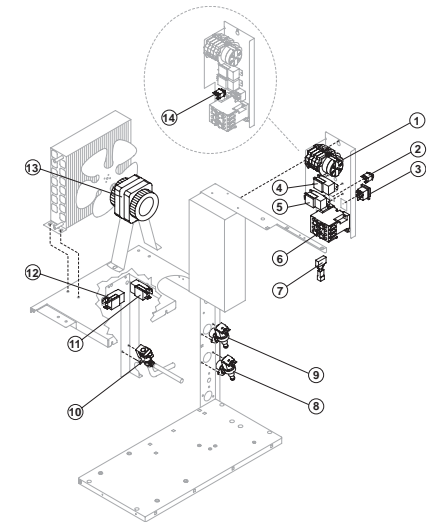
HYDRAULIC CIRCUIT



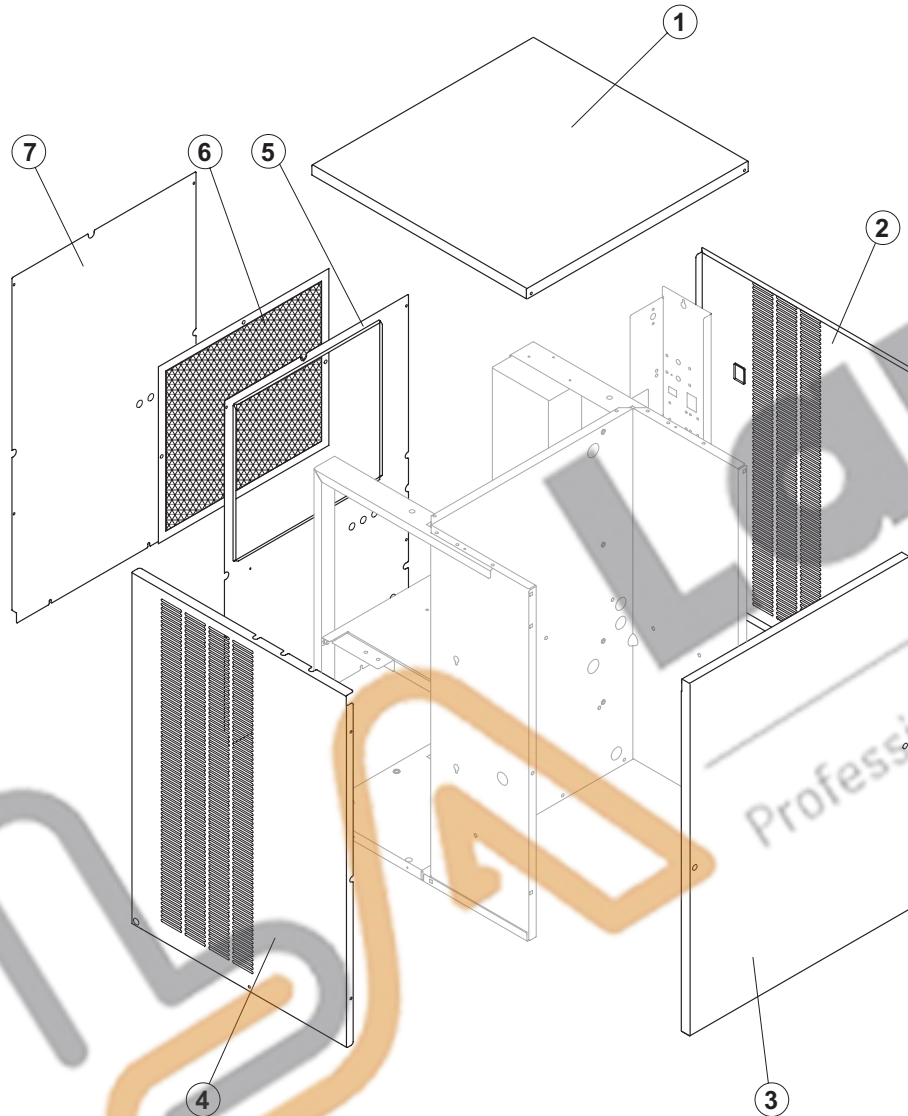
SPRAYER PUMP



ELECTRIC PARTS



Rev. 11 - 30/07/2015



Rev. 11 - 30/07/2015

Common Parts

Ref.	Spare Description	Code
1	Top Assembly	NC221084
2	Right Side Panel	Current Version N221075
2	Right Side Panel	Till s/n. 394022 N22410
2	Right Side Panel	Till s/n. 298777 N22794
3	Front Panel Assembly	Current Version NC221077
3	Front Panel Assembly	Till s/n. 394022 NC22792
4	Left Side Panel	Current Version N221076
4	Left Side Panel	Till s/n. 394022 N22795

Parts for Air-Cooled Version Only

Ref.	Spare Description	Code
5	Rear Panel	Current Version N21329
5	Rear Panel	Till s/n. 394022 N21269
12*	Filter	N18163

Componenti Solo Versione Acqua

Ref.	Spare Description	Code
7	Rear Panel	Current Version N21331
7	Rear Panel	Till s/n. 394022 N21275



Common Parts

Ref.	Spare Description	Code
3	Evaporator Current Version	ND10539
3	Evaporator Till s/n. 394022	ND10381
4	Evaporator Cover Panel	N22798
6	Horizontally Hinged Panel	N22801
7	Compressor Vedi Tabella	-
8	Vaccum-Charge Valve Body	N14007
9*	Vaccum-Charge Valve Device	N14005
10*	Vaccum-Charge Valve Plug	N14006
12*	Hot Gas Valve Coil Vedi Tabella	-
13*	Hot Gas Valve Body	N20409
14*	Liquid Line Filter	N14084

Parts for Air-Cooled Version Only

Ref.	Spare Description	Code
1	Sucking Fan	N20407
1	Sucking Fan Only 110/115V 60 Hz Current Version	N20671
1	Sucking Fan Only 110/115V 60 Hz Till s/n. 394022	N20031
2	Air Condenser Current Version	N20884
2	Air Condenser Till s/n. 394022	N20690

Parts for Water-Cooled Version Only

Ref.	Spare Description	Code
11	Water Condenser	N14081

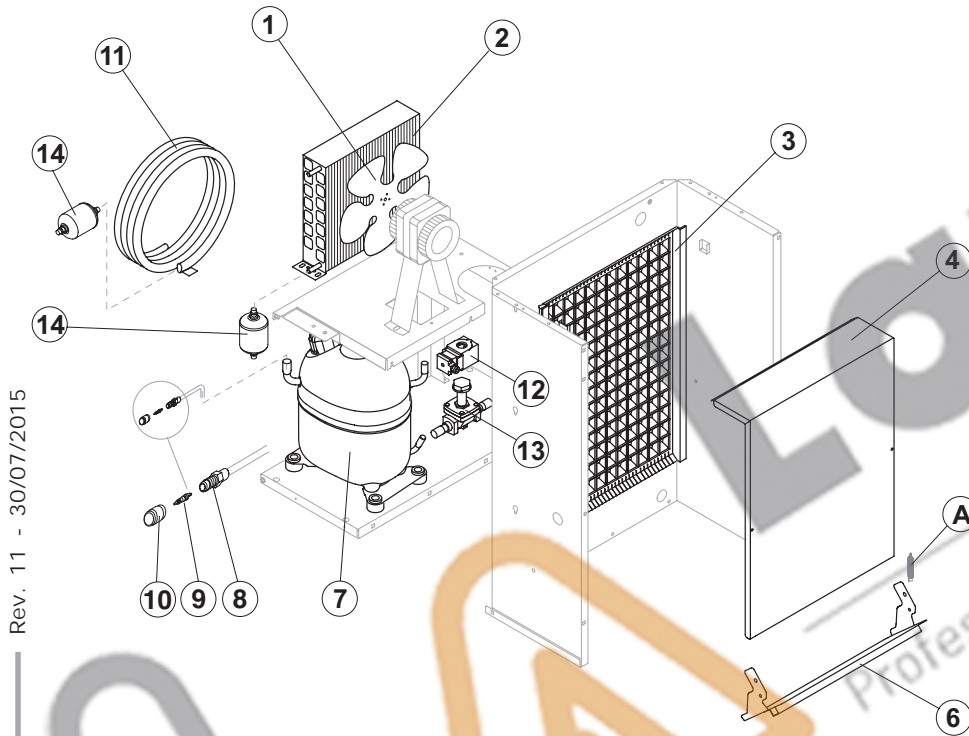
! Eliminated the Spring (horizontally hinged panel) ref. A, suggested removal even from the models where they are present.

Ref. 7 - Compressor

Voltage	Code
220/240V 50 Hz	N23878
220/230V 60 Hz	N23874
110/115V 60 Hz	N23586

Ref. 12* - Hot Gas Valve Coil

Voltage	Code
220/240V 50 Hz	N23091
220/230V 60 Hz	N23091
110/115V 60 Hz	N23256





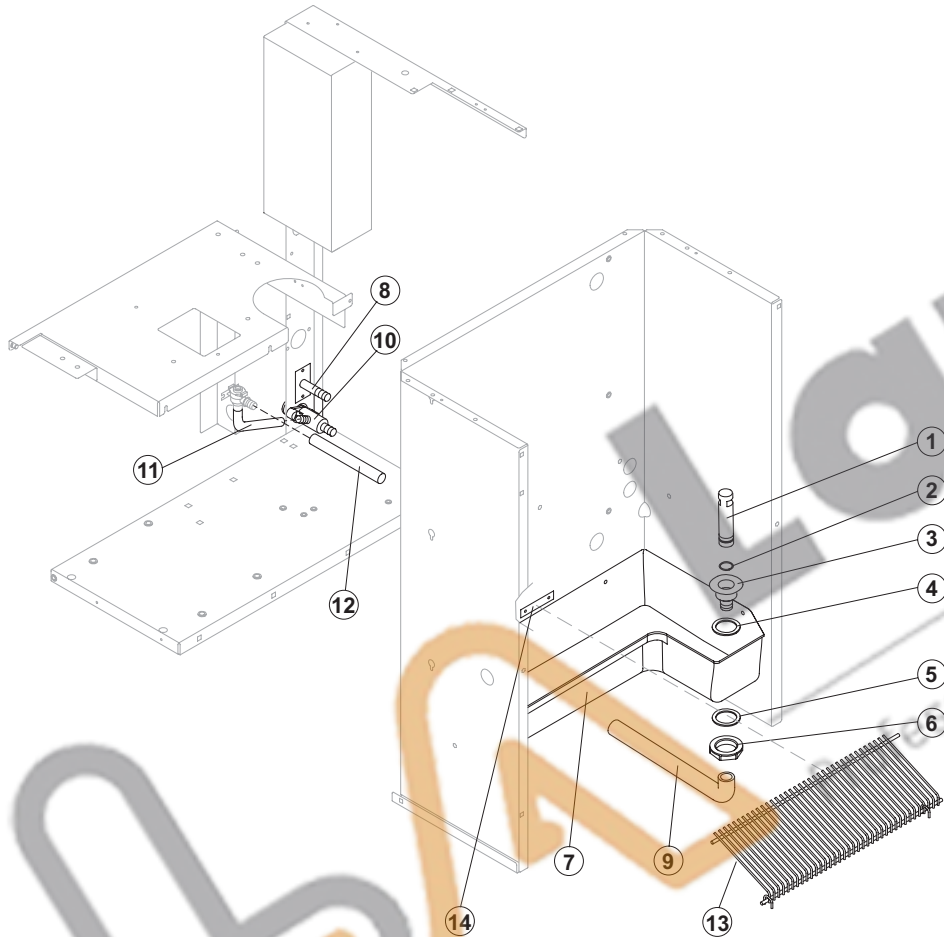
Common Parts

Ref.	Spare Description	Code
1*	Overflow Pipe	N10133
2*	OR Gasket for Overflow Pipe	N20233
3*	Overflow Pipe Nipple	N10471
4	Silicone Gasket	N13006
5	Semirigid Polyethylene Gasket	N13007
6	Bin Discharge Nut	N10096
7	Water Basin	N10355
9	Overflow Pipe Nipple	N13120
10	Drain Nipple	N10431
11	Discharge Valve Connection Pipe - Discharge	N13040
12	Discharge Valve Connection Pipe ("T" Shaped)	N13102
13	Ice Cubes Slide	ND12082
14	Slide Keep Plate	N10142

Parts for Water-Cooled Version Only

Ref.	Spare Description	Code
8	Connection with Plate	NC20462

Rev. 11 - 30/07/2015

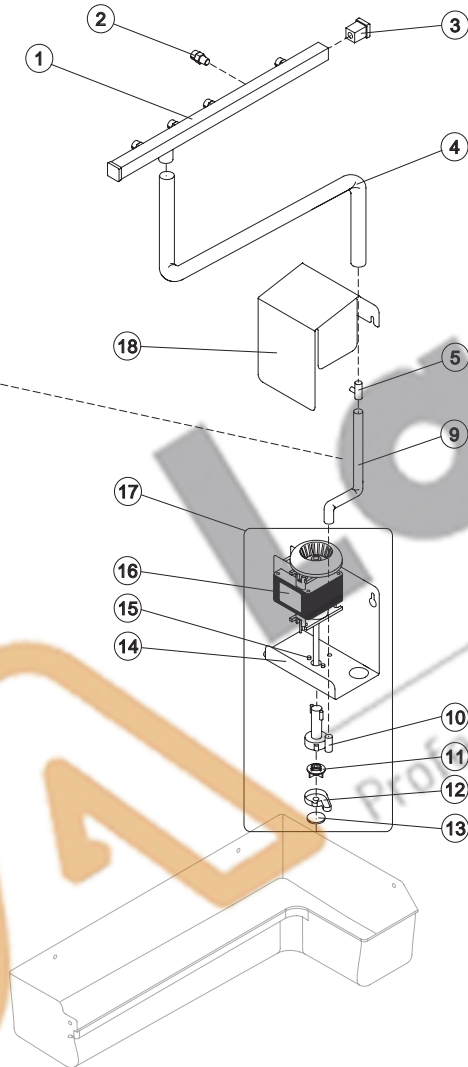
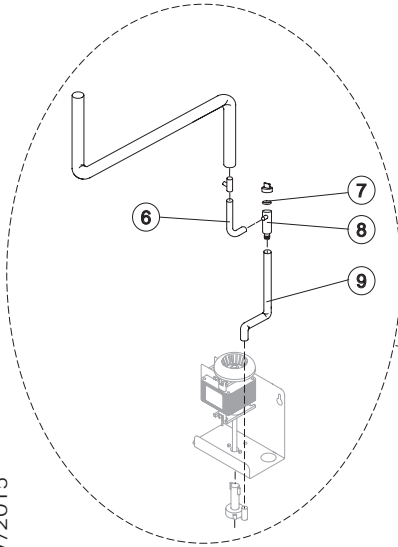




CV305

SPRAYER PUMP

OLD
till s/n. 394022



Ref.	Spare Description	Code
1*	Sprayers Bar assembly	NC20653
2	Sprayer	ND20002
3	Sprayers Bar Plug	N10012
4	Sprinkler Bar Connection Pipe ("T" Shaped)	N13134
5	Plastic "T" ø 20	N10082
6	Sprayers Feeding Pipe	OLD Version N13005
7	Pump Filter Gasket	OLD Version N13080
8	Pump Filter	OLD Version N10139
9	"T" - Pump Connection Pipe	Current Version N13113
9	"T" - Pump Connection Pipe	OLD Version N13157
10	Pump Body	N10065
11	Pump Impeller	N10138
12	Diffusor	N10067
13	Pump Filter	N20518
14	Pump Motor Support	N22799
15	Pump Motor Shim	N20510
16	Pump	See Table -
17*	Pump Assembly	See Table -
18	Protection Pump Panel	N22804

Ref. 16 - Pump

Voltage	Code
220/240V 50 Hz	N23073
220/230V 60 Hz	N23187
110/115V 60 Hz	N23188

Ref. 17* - Pump Assembly

Voltage	Code
220/240V 50 Hz	NC23607
220/230V 60 Hz	NC23616
110/115V 60 Hz	NC23617



Common Parts

Ref.	Spare Description	Code
1*	Timer	See Table
2	"Cleaning" Switch	N23619
3*	Green Light Switch (On-Off)	N23327
4*	Bin Thermostat	NR23005
5*	Evaporator Thermostat	NR23591
6*	Contactor	See Table
9*	1 Way- Water Inlet Valve	See Table
10*	Water Outlet Valve	See Table
11*	Condenser Pressure Switch	N23175
12	Safety Pressure Switch	N23342
14	Light Switch "Economy-Full"	Fino a Matr. 298777 N23611

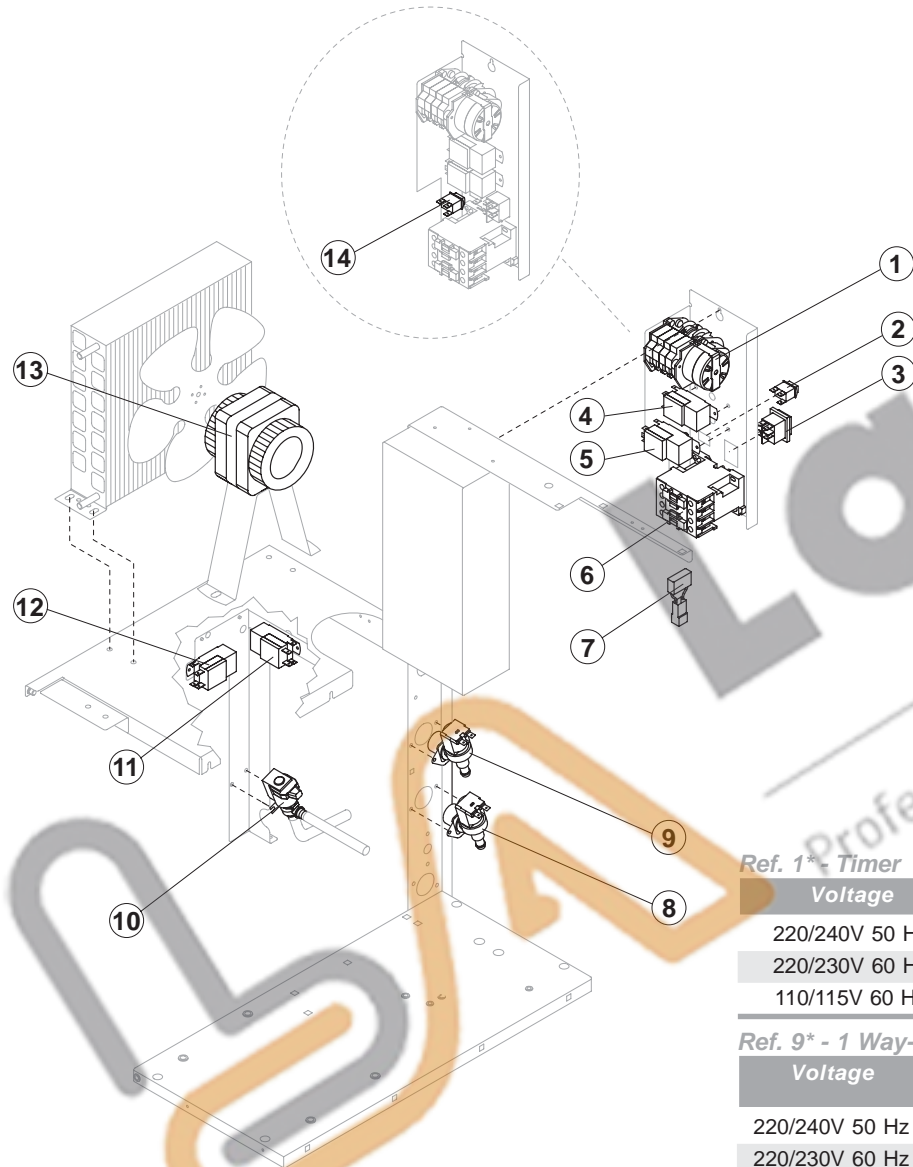
Parts for Air-Cooled Version Only

Ref.	Spare Description	Code
7	Anti Radio Interference Filter	Only 220V 50 Hz NC23459
13*	Fan Motor	See Table

Componenti Solo Versione Acqua

Ref.	Spare Description	Code
7	Anti Radio Interference Filter	Only 220V 50 Hz NC23457
8*	1 Way- Water Inlet Valve	See Table

Rev. 11 - 30/07/2015



Ref. 1* - Timer

Voltage	Code
220/240V 50 Hz	N23635
220/230V 60 Hz	N23632
110/115V 60 Hz	N23636

Ref. 6* - Contactor

Voltage	Code
220/240V 50 Hz	N23594
220/230V 60 Hz	N23594
110/115V 60 Hz	N23932

Ref. 8* - 1 Way- Water Inlet Valve

Voltage	Code	Code
	Current Version	Till s/n. 394022
220/240V 50 Hz	N23787	N23220
220/230V 60 Hz	N23787	N23787
110/115V 60 Hz	N23631	N23789

Ref. 9* - 1 Way- Water Inlet Valve

Voltage	Code	Code
	Current Version	Till s/n. 394022
220/240V 50 Hz	N23787	N23787
220/230V 60 Hz	N23787	N23787
110/115V 60 Hz	N23631	N23789

Ref. 10* - Outlet Water Valve

Voltage	Code
220/240V 50 Hz	N23537
220/230V 60 Hz	N23537
110/115V 60 Hz	N23637

Ref. 13* - Fan Motor

Voltage	Code
220/240V 50 Hz	N23121
220/230V 60 Hz	N23121
110/115V 60 Hz	N23621