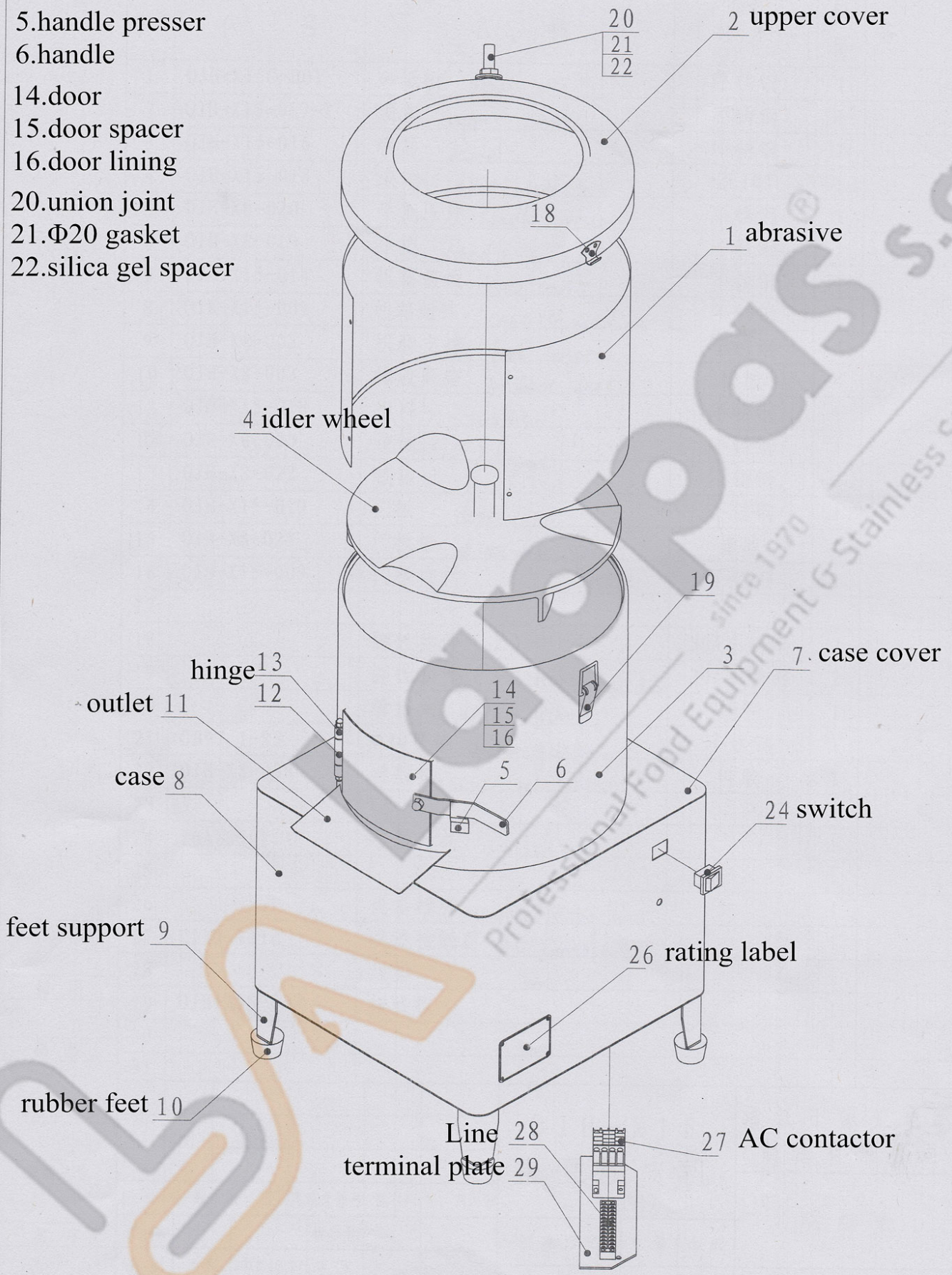
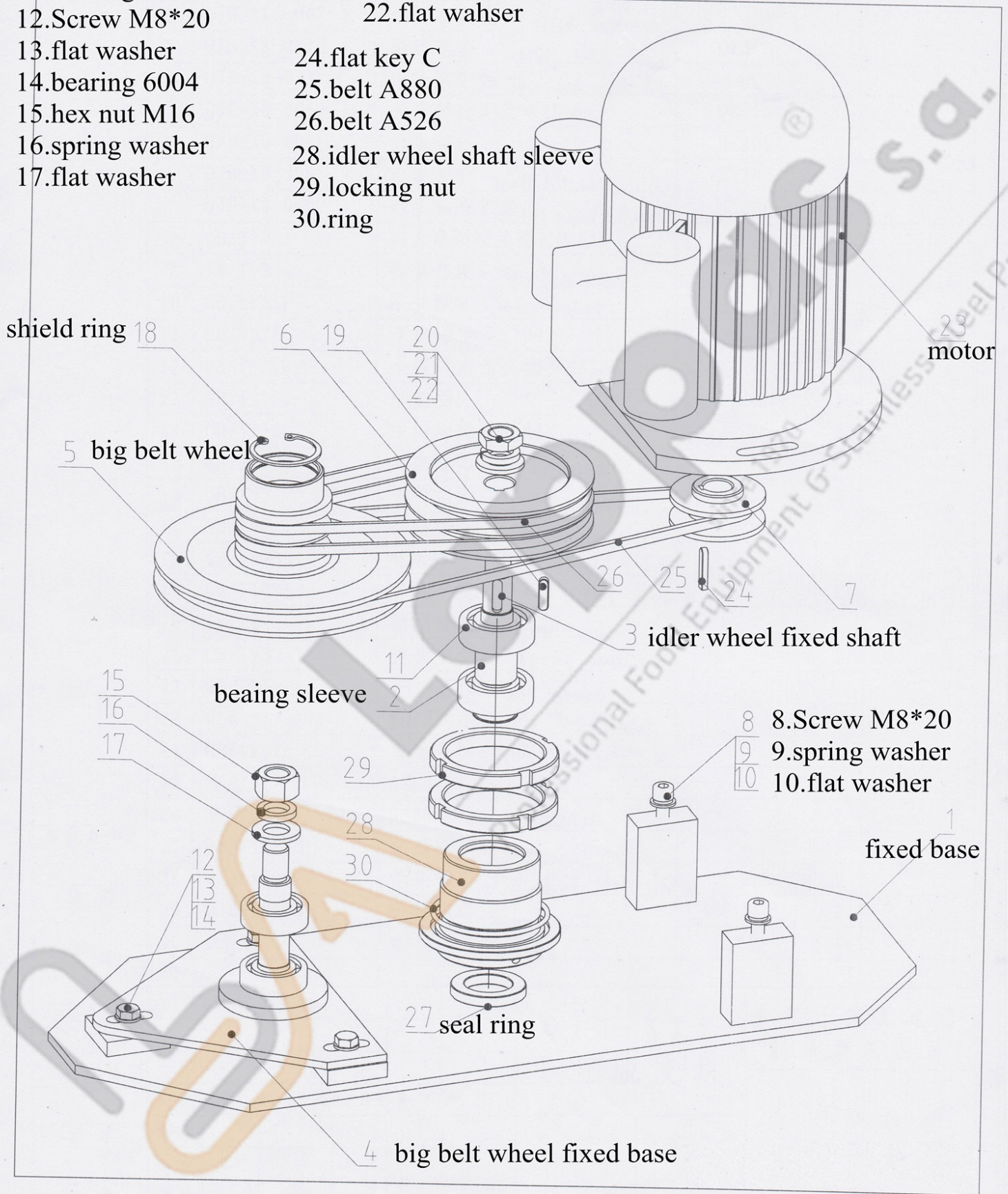


- 3.barrel
- 5.handle presser
- 6.handle
- 14.door
- 15.door spacer
- 16.door lining
- 20.union joint
- 21.Φ20 gasket
- 22.silica gel spacer



Professional Food Equipment & Stainless Steel Pro
 since 1970

- 6.small belt wheel
- 7.belt wheel of motor shaft
- 11.bearing 6204
- 12.Screw M8*20
- 13.flat washer
- 14.bearing 6004
- 15.hex nut M16
- 16.spring washer
- 17.flat washer
- 19.flat key A
- 20.round nut M16
- 21.spring washer
- 22.flat wahser
- 24.flat key C
- 25.belt A880
- 26.belt A526
- 28.idler wheel shaft sleeve
- 29.locking nut
- 30.ring



shield ring 18

5 big belt wheel

beaing sleeve 2

3 idler wheel fixed shaft

- 8.Screw M8*20
- 9.spring washer
- 10.flat washer

fixed base 1

27 seal ring

4 big belt wheel fixed base

23 motor