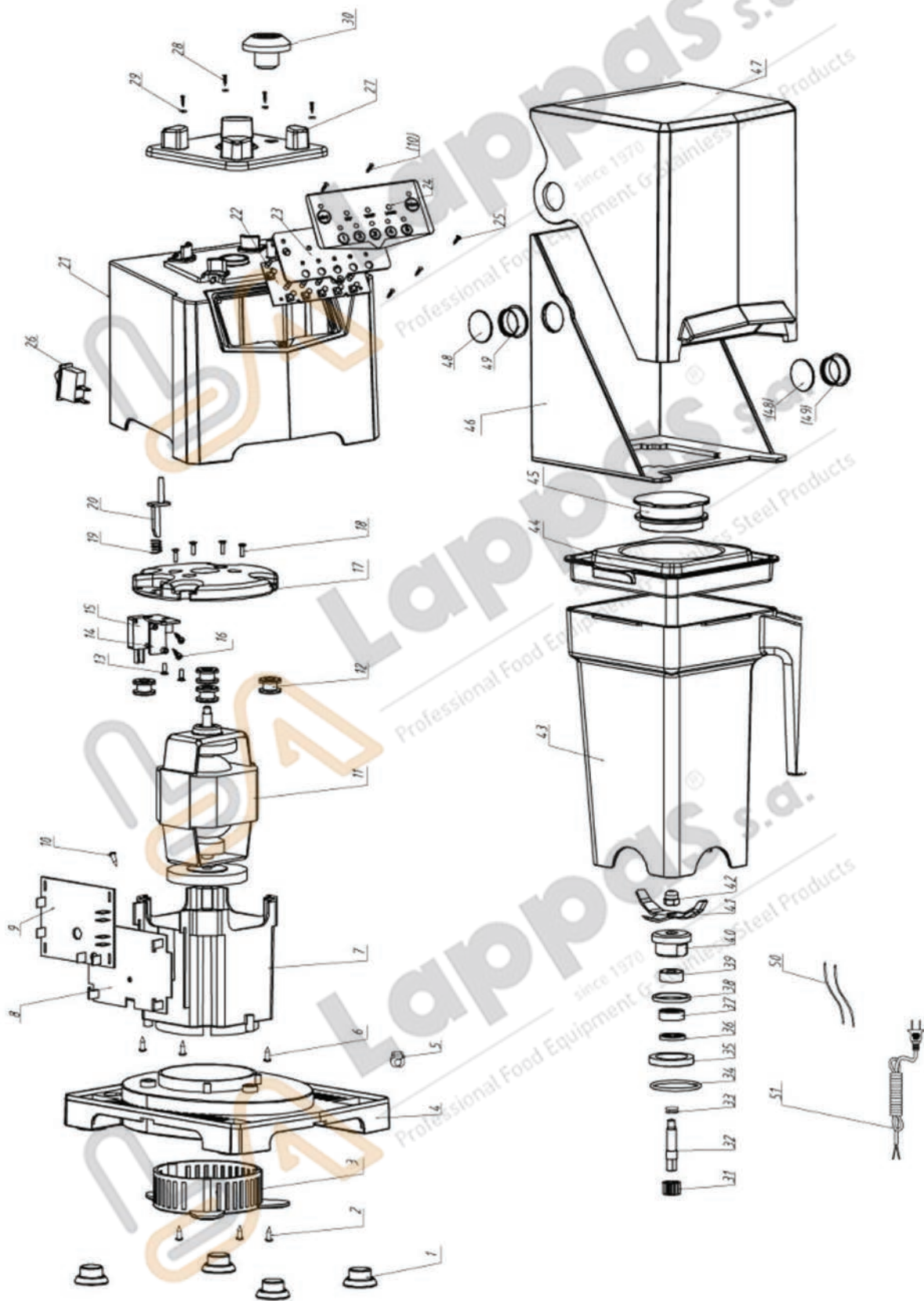


# EXPLODED VIEW

## LPX-6MC



| Drawing number | Part number | Description                |
|----------------|-------------|----------------------------|
| 1              | 09301001    | MKM SHOCK-PROOF FEET       |
| 3              | 09301081    | MKM MOTOR AIR FILTER       |
| 4              | 09301079    | MKM MOTOR BOTTOM COVER     |
| 5              | 09301004    | MKM LINE NIP               |
| 7              | 09301082    | MKM MOTOR COVER            |
| 8              | 09301006    | MKM PCB 1 HOLDER           |
| 9 + 22 + 23    | 09301075    | MKM PCB SET OF 2           |
| 11             | 09301008    | MKM MOTOR                  |
| 12             | 09301009    | MKM SHOCK-PROOF CIRCLE     |
| 14             | 09301010    | MKM INTERLOCK HOLDER       |
| 15             | 09301011    | MKM INTERLOCK SWITCH       |
| 17             | 09301012    | MKM MOTOR HOLDER           |
| 19             | 09301013    | MKM INTERLOCK SPRING       |
| 20             | 09301014    | MKM INTERLOCK MOVING PIN   |
| 21             | 09301080    | MKM BODY COVER             |
| 24             | 09301018    | MKM CONTROL PANEL          |
| 26             | 09301019    | MKM ON-OFF SWITCH          |
| 27             | 09301076    | MKM RUBBER SOCKET JAR      |
| 30             | 09301021    | MKM COUPLING MOTOR (OM)    |
| 30             | 09301083    | MKM COUPLING MOTOR         |
| 31             | 09301022    | MKM COUPLING JAR           |
| 31 t/m 42      | 09301050    | MKM BLADE SET (SKF)        |
| 43             | 09301029    | MKM JAR COMPLETE (SKF)     |
| 44             | 09301023    | MKM RUBBER LID JAR         |
| 45             | 09301024    | MKM LID CENTER             |
| 46             | 09301025    | MKM SOUND COVER LOW        |
| 47             | 09301084    | MKM SOUND COVER HIGH       |
| 48 + 49        | 09301077    | MKM SOUND COVER CAPS (SET) |

For position 30, check the picture below.  
Left is 09301021 & Right is 09301083

