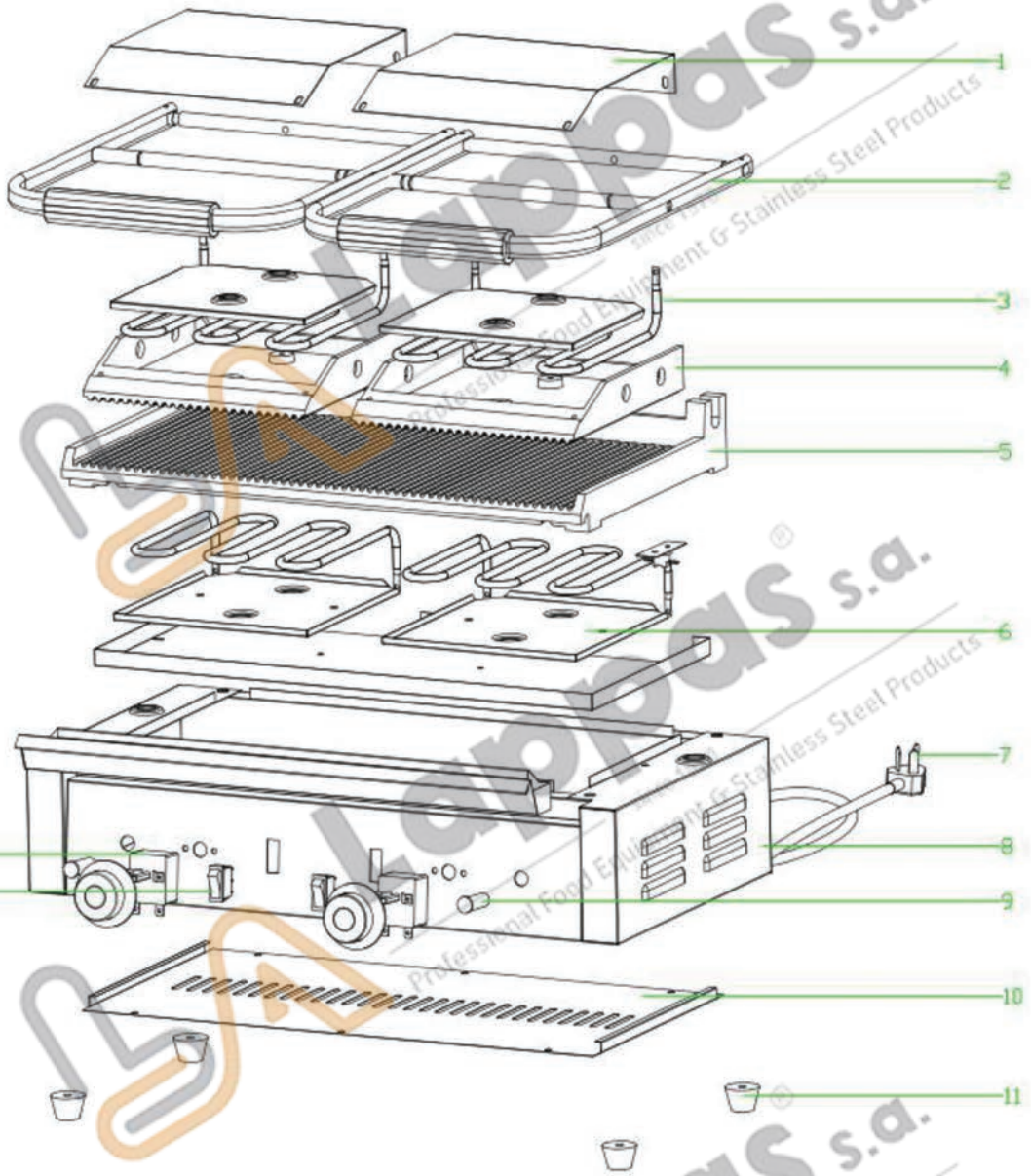


# Explosive drawing LP-813



## Part list:

1.Upper cover 2.Handle assembly 3.Heating element

4.Upper mold 5.Down Mold 6.Press plate

7.Cable 8.Body assembly 9.Indicator light

10.Bottom plate 11.Feet 12.Switch 13.Thermostat