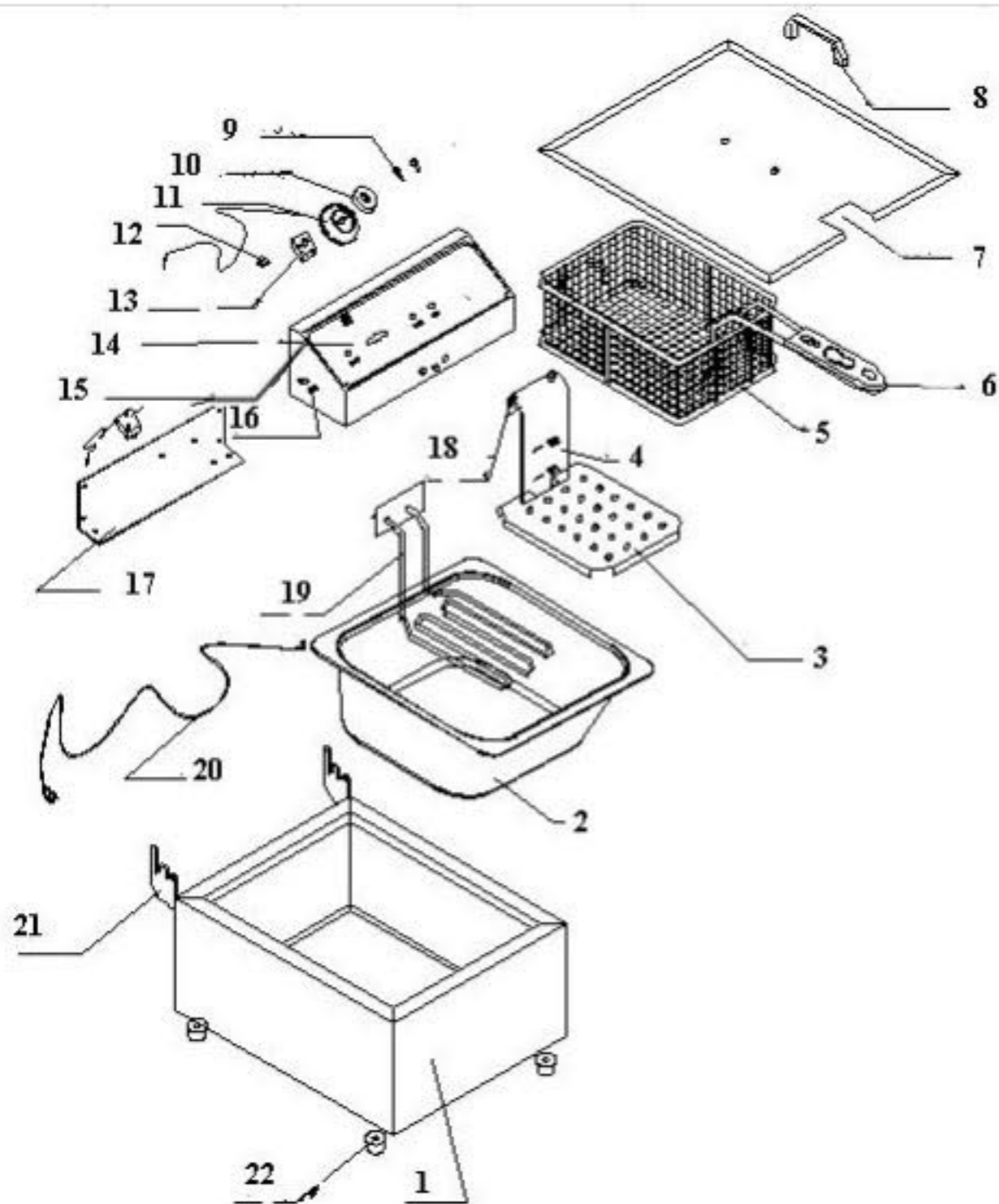


Διάγραμμα Φριτέζας LP-10B



No.	Item Name	Qty/pcs
1	Body	1
2	Oil Tank	1
3	Heater Element Cover	1
4	MIN/MAX Oil Level	1
5	Basket	1
6	Basket Handle	1
7	Night Cover	1
8	Night Cover Handle	1
9	Heat Indicator Light	1
10	Thermostat Knob	1
11	Thermostat Dial	1
12	Power Indicator Light	1
13	Thermostat	1
14	Electrical Box	1
15	Temperature Limiger-Reset Button	1
16	Head Hinge	4
17	Electric Box Back Cover	1
18	Basket Hinge	2
19	Heating Element	1
20	Power Cable	1
21	Electrical Box Hinge Ear	2