

Drawing



Tools for Chefs

Hendi B.V.
Steenoven 21
3911 TX Rhenen
The Netherlands

Batch #

000000 and up

Appliance part#

630402

Description

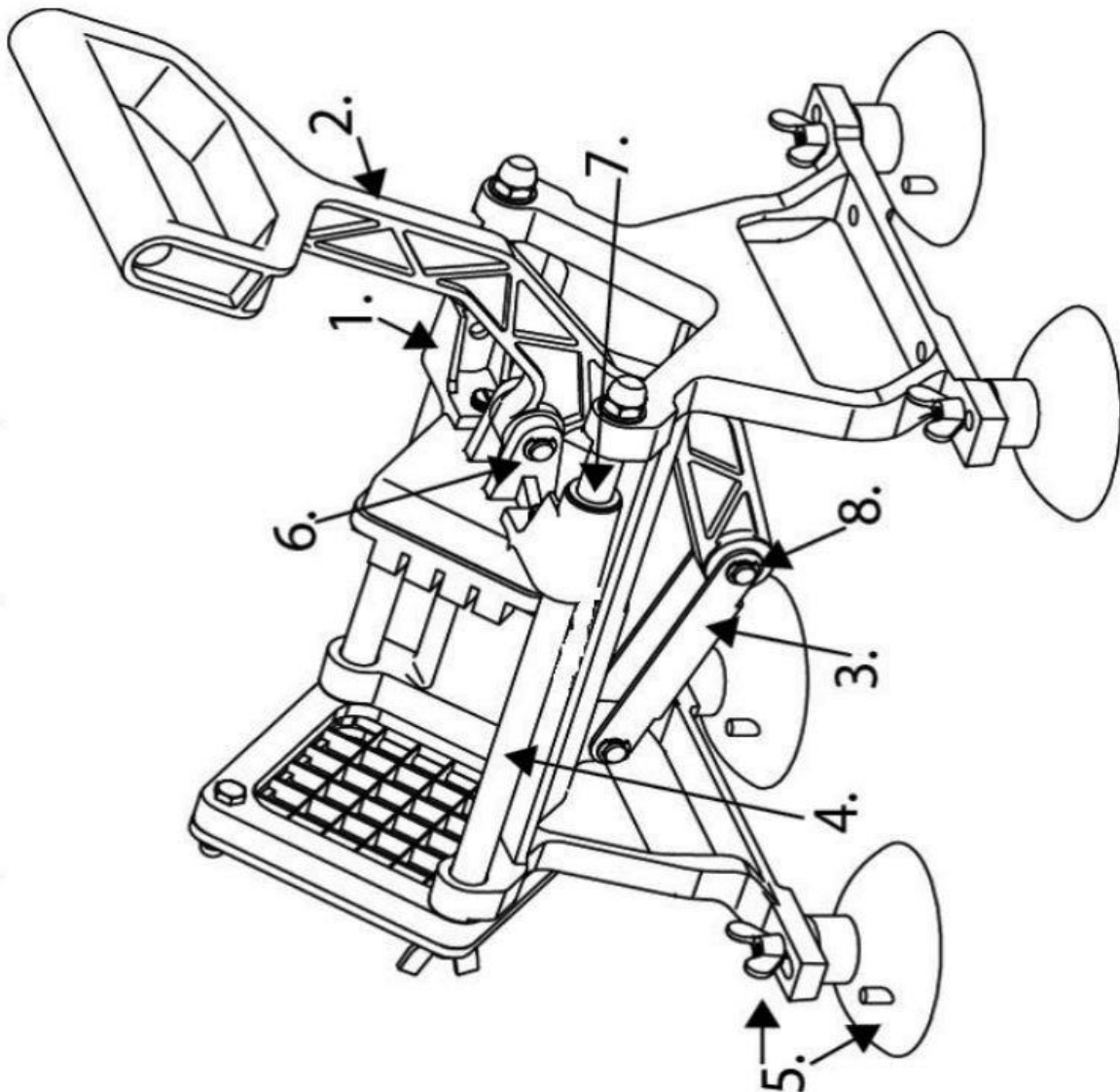
French Fries Cutter

Date 17-06-2019


Revision #

1.0

Revision First Bill of Materials (BOM)



Bill of materials (BOM)

 HENDI Tools for Chefs Hendi B.V. Steenoven 21 3911 TX Rhenen The Netherlands	Batch #	Appliance part#
	000000 and up	630402
	Description	
	French Fries Cutter	

Date	17-06-2019	Revision #	1.0
Revision	First Bill of Materials (BOM)		

Item	Description	Part#	Quantity	Remark	Picture
1	Feeder Frame Assembly	n/a	1		
2	Handle	943748	1		
3	Hinge Connector Bracket	n/a	1		
4	Slide Rod	n/a	2		
5	Feet (Suctioncup)	941898	4	Set of 4 pcs	
6	Pin (Long) with C-Clip	n/a	1		
7	Slide Rod Bushing	932247	2	Set of 4 pcs	
8	Pin (Short) with C-Clip	n/a	1		
9	Knife Set 6mm	932902	1	Not shown on drawing	
10	Knife Set 9mm	932919	1	Not shown on drawing	
11	Knife Set 11mm	630419	1	Not shown on drawing	
12	Knife Set 13mm	932926	1	Not shown on drawing	
13	Knife Set Wedge 8pcs	932933	1	Not shown on drawing	

n/a -> not available

nss -> not sold separately