
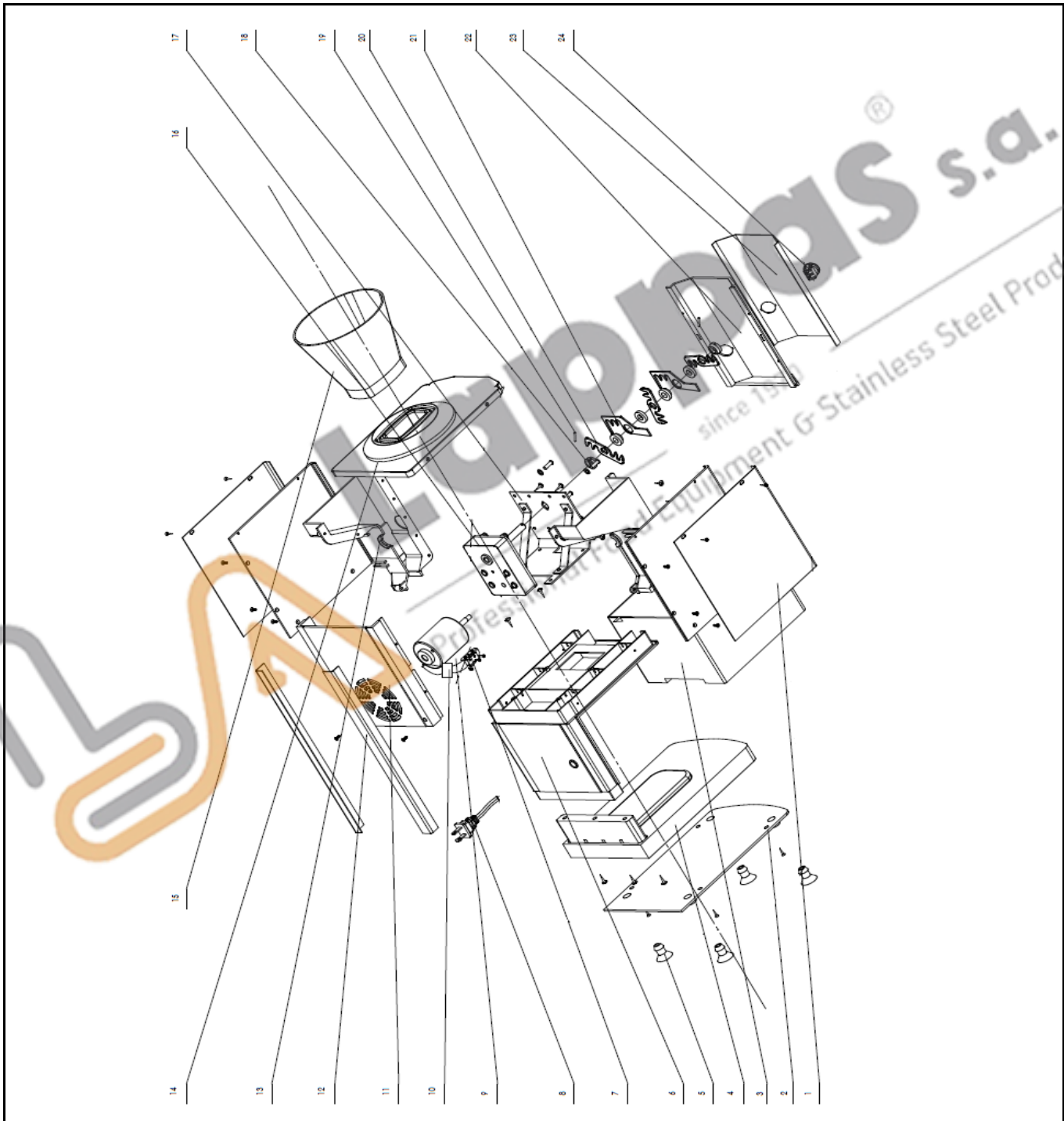



Drawing

 <p>Hendi B.V. Steenoven 21 3911 TX Rhenen The Netherlands</p>	Batch #	Appliance part#
	502184 and up	271520
	Description	
	Ice crusher	

Date	13-06-2016	Revision #	Revision version
Revision	First bill of materials (BOM)		



Bill of materials (BOM)

 Hendi B.V. Steenoven 21 3911 TX Rhenen The Netherlands	Batch #	Appliance part#
	502184 and up	271520
	Description	
	Ice crusher	


Date	13-06-2016	Revision #	Revision version
Revision	First bill of materials (BOM)		

Item	Description	Part#	Quantity	Remark	Picture
1	Side cover	n/a	2		
2	Bottom cover	n/a	1		
3	Container	940396	1		
4	Base	n/a	1		
5	Feet	n/a	4		
6	Support	n/a	1		
7	Switch	n/a	1		
8	Power cord	n/a	1		
9	Motor	n/a	1		
10	Noise filter	n/a	1		
11	Back cover	n/a	1		
12	Bracket	n/a	2		
13	Ice chute	n/a	1		
14	Top cover	n/a	1		
15	Funnel	940860	1		
16	Transmission	n/a	1		
17	Bracket gearbox	n/a	1		
18	Gasket	n/a	5		
19	Pin	n/a	1		
20	Blade	n/a	2		
21	Blade	n/a	2		
22	Front cover	n/a	1		
23	Display panel	n/a	1		
24	Switch	n/a	1		

n/a -> not available

nss -> not sold separately

Circuit diagram

 HENDI FOOD SERVICE EQUIPMENT Hendi B.V. Steenoven 21 3911 TX Rhenen The Netherlands	Batch #	Appliance part#
	502184 and up	271520
	Description	
	Ice crusher	

Date	13-06-2016	Revision #	Revision version
Revision	First bill of materials (BOM)		

