
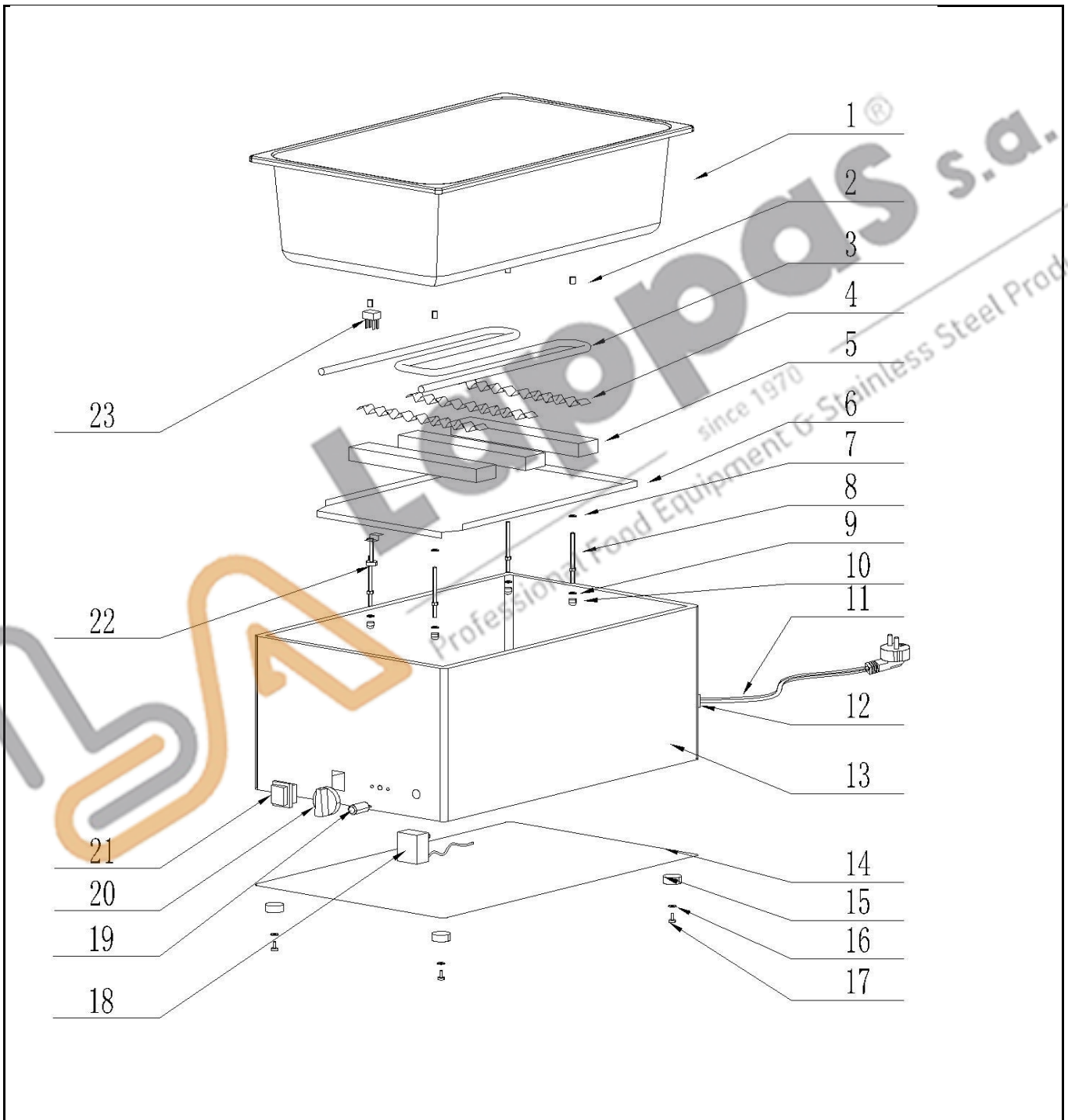



Drawing

 HENDI FOOD SERVICE EQUIPMENT Hendi B.V. Steenoven 21 3911 TX Rhenen The Netherlands	Batch #	Appliance part#
	00000 until 402941	238905
	Description	
	Bain-Marie Ecoline	

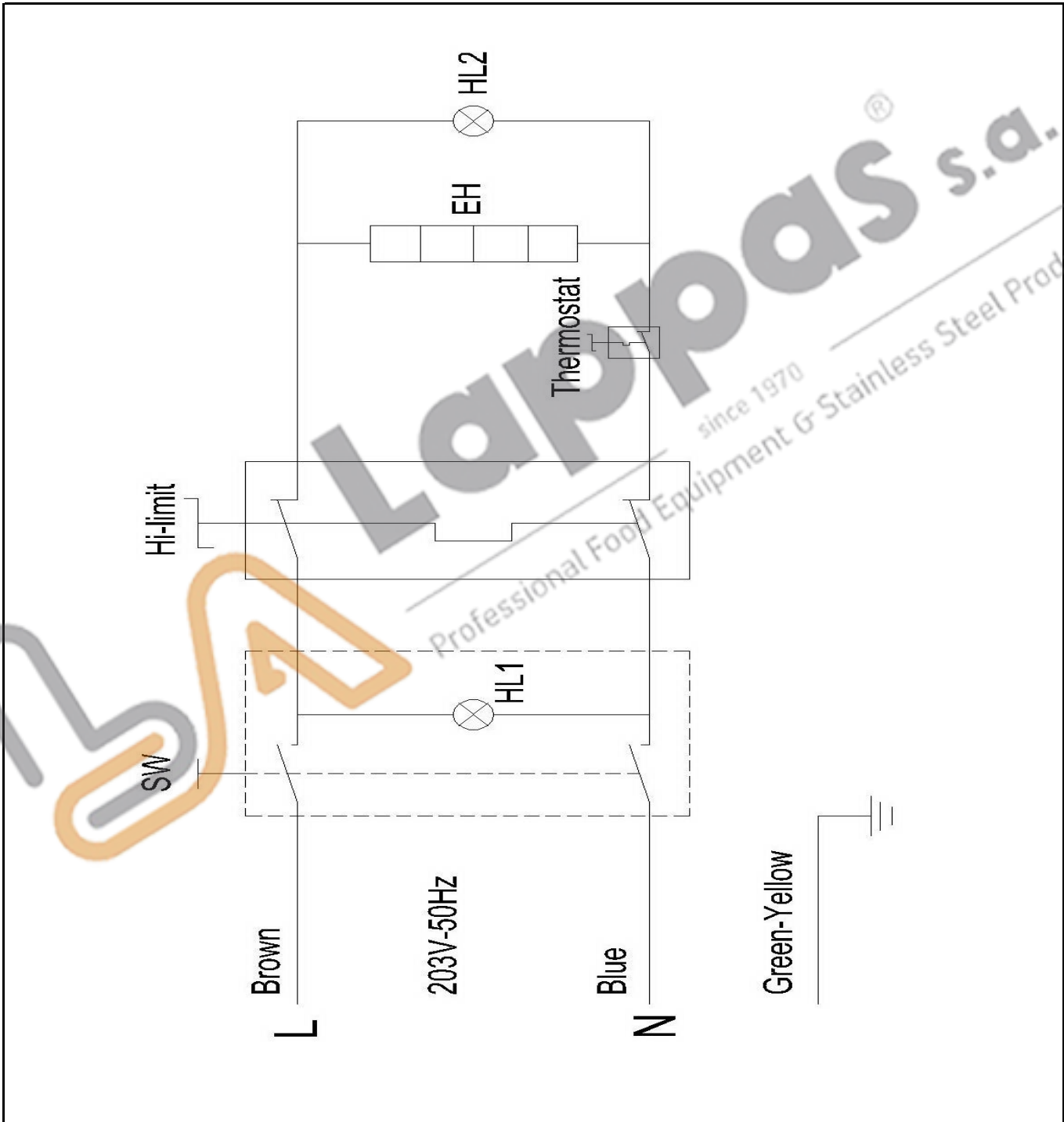
Date	22-02-2016	Revision #	2009-01
Revision	First bill of materials (BOM)		




Circuit diagram

 HENDI FOOD SERVICE EQUIPMENT Hendi B.V. Steenoven 21 3911 TX Rhenen The Netherlands	Batch #	Appliance part#
	00000 until 402941	238905
	Description	
	Bain-Marie Ecoline	

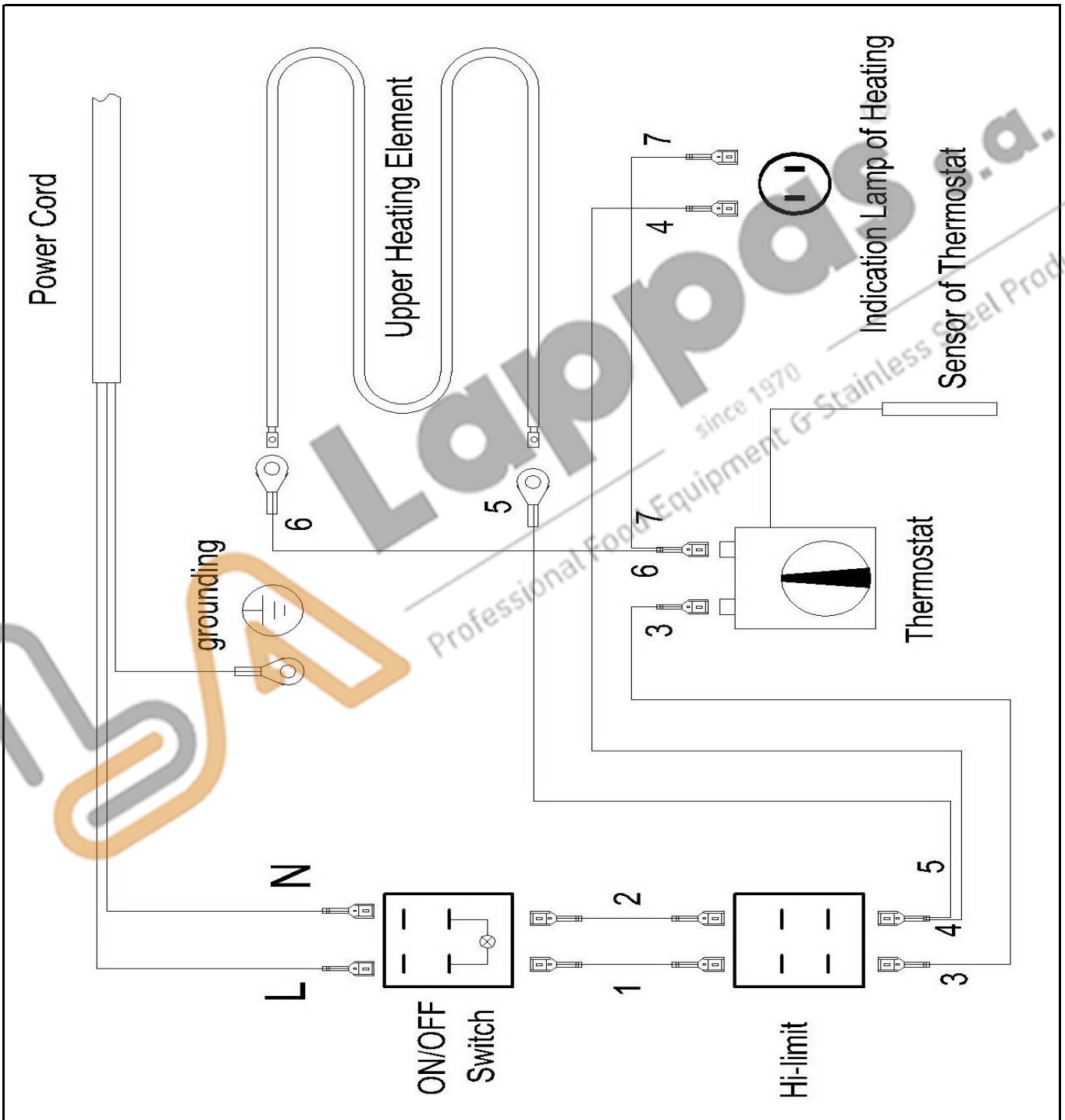
Date	22-02-2016	Revision #	2009-01
Revision	First bill of materials (BOM)		




Wiring diagram

 Hendi B.V. Steenoven 21 3911 TX Rhenen The Netherlands	Batch #	Appliance part#
	00000 until 402941	238905
	Description	
	Bain-Marie Ecoline	

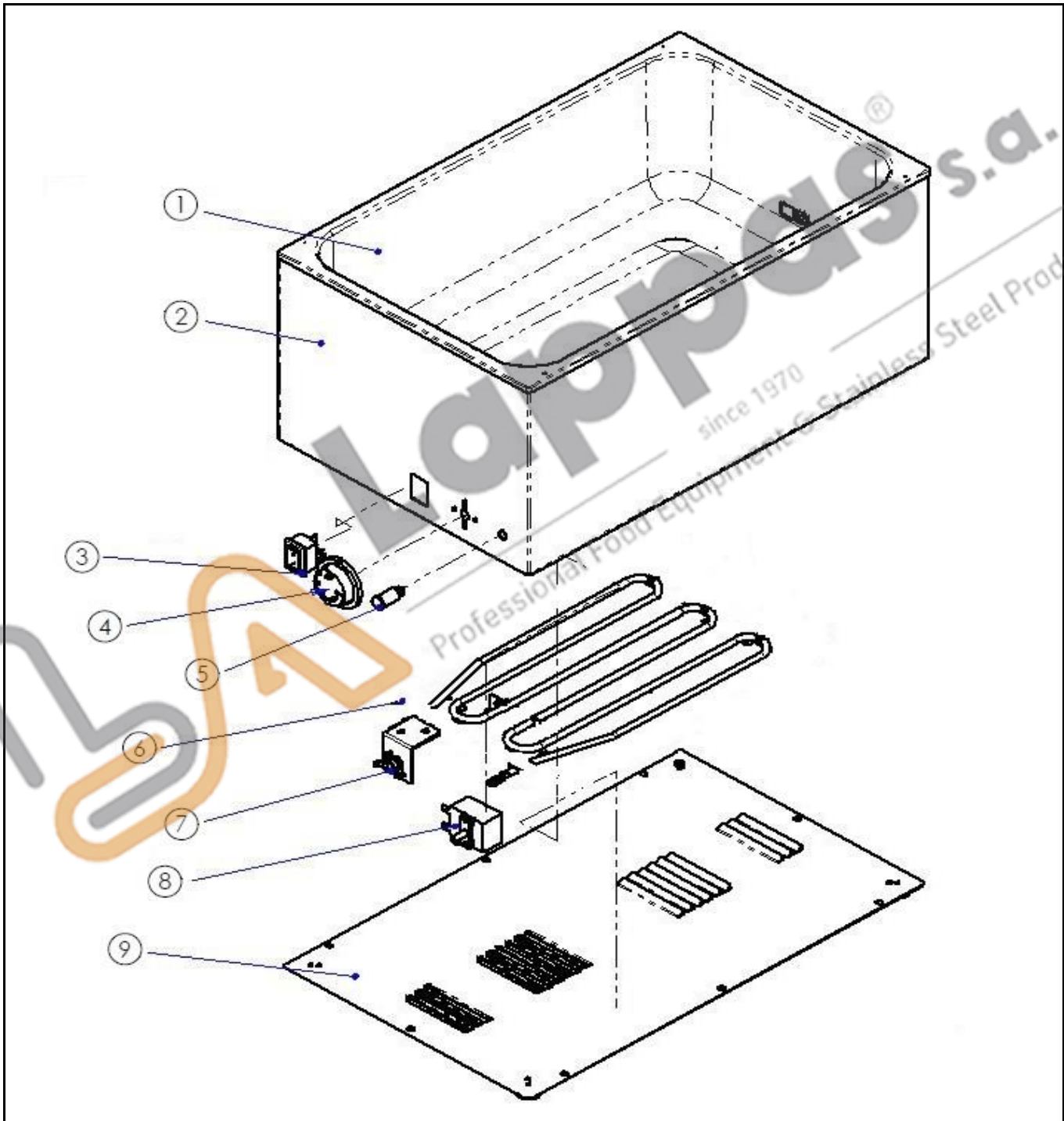
Date	22-02-2016	Revision #	2009-01
Revision	First bill of materials (BOM)		




Drawing

 HENDI FOOD SERVICE EQUIPMENT Hendi B.V. Steenoven 21 3911 TX Rhenen The Netherlands	Batch #	Appliance part#
	Batch nr 501363 and up	238905
	Description	
	Bain-marie kitchen line	

Date	22-02-2016	Revision #	Revision version 1.1
Revision	New model.		



Wiring diagram

 <p>Hendi B.V. Steenoven 21 3911 TX Rhenen The Netherlands</p>	Batch #	Appliance part#
	Batch nr 501363 and up	238905
	Description	
	Bain-marie kitchen line	

Date	22-02-2016	Revision #	Revision version 1.1
Revision	New model.		

