
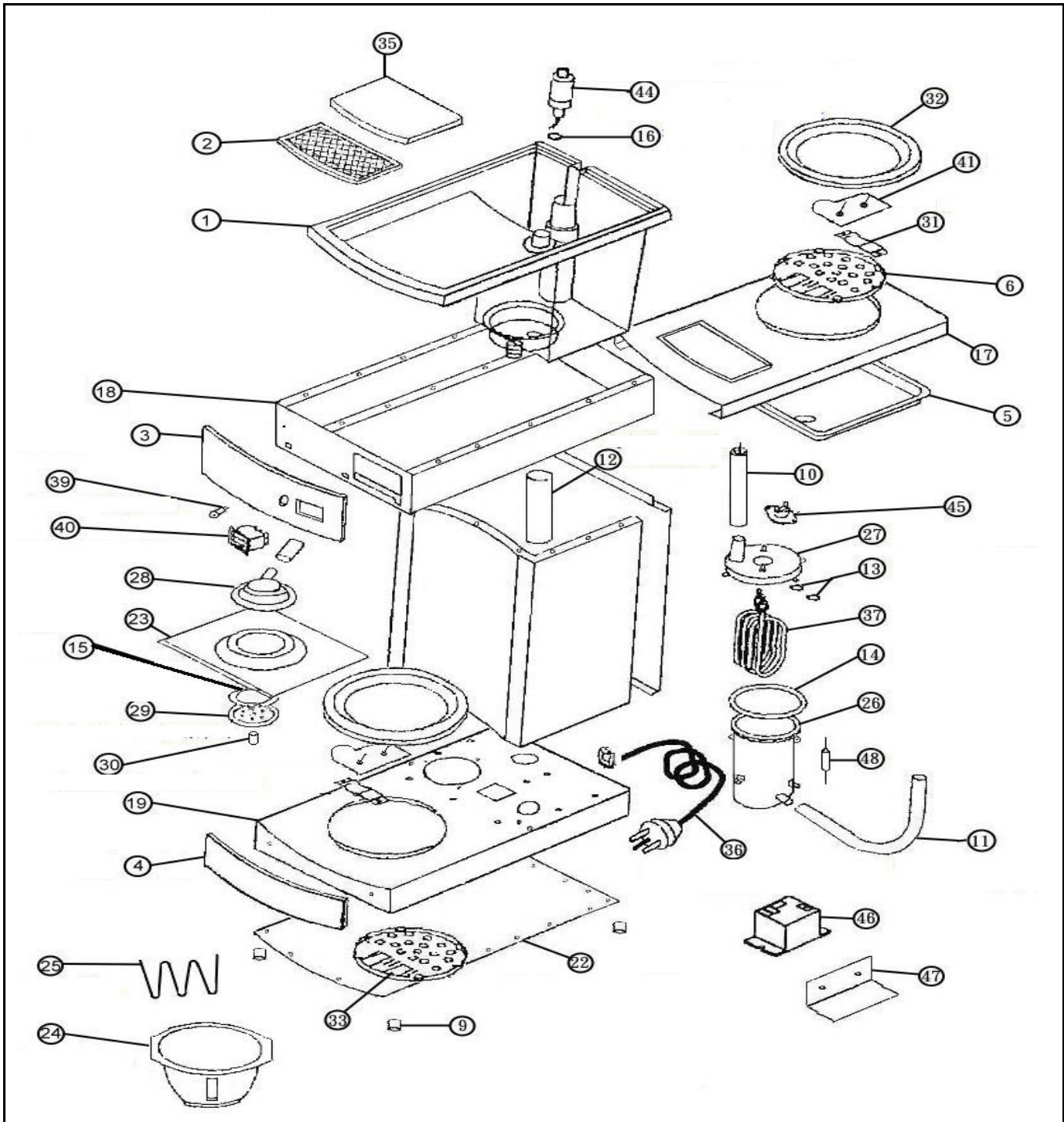



Drawing

 <p>Hendi B.V. Steenoven 21 3911 TX Rhenen The Netherlands</p>	Batch #	Appliance part#
	0000000	208304
	Description	
	Coffee machine 1,8L	

Date	20-06-2017	Revision #	Revision version
Revision	First bill of materials (BOM)		



Bill of materials (BOM)

 Hendi B.V. Steenoven 21 3911 TX Rhenen The Netherlands	Batch #	Appliance part#
	0000000	208304
	Description	
	Coffee machine 1,8L	


Date	20-06-2017	Revision #	Revision version
Revision	First bill of materials (BOM)		

Item	Description	Part#	Quantity	Remark	Picture
1	Reservoir	n/a	1		
2	Grid reservoir	904794	1		
3	Front upper panel	208465	1		
4	Front lower panel	904190	1		
5	Condens panel	n/a	1		
6	Panel	n/a	1		
9	Foot	926420	4		
10	Silicon pipe outlet	n/a	1		
11	Silicon pipe inlet	n/a	1		
12	Silicone pipe overflow	n/a	1		
13	Silicone gasket element	nss	2	Available in 904183	
14	Silicone gasket boiler	904275	1	Also in 904183	
15	Silicone gasket sprinkler	904275	1		
16	Silicone gasket float switch	nss	1	Available in 208427	
17	Upper cover	n/a	1		
18	Upper frame	n/a	1		
19	Base frame	n/a	1		
22	Bottom cover	n/a	1		
23	Nozzle plate	n/a	1		
24	Filter Holder	208366	1		
25	Spring filter holder	904206	1		
26	Boiler complete	904183	1	Incl Item 13;14;27;37	
27	Lid boiler	nss	1	Available 904183	
28	Housing nozzle	n/a	1		
29	Nozzle	n/a	1		
30	Nut nozzle	n/a	1		
31	Holder element hotplate	n/a	2		
32	Hotplate	904299	2		
33	Panel	n/a	1		
35	Lid reservoir	n/a	1		
36	Power cord (H05RN-F 3Gx1.5mm)	930045	1		
37	Element 1900W	208373	1	Also in 904183	
39	Indication light	935439	1		
40	Switch	904220	1		
41	Element (80W) hotplate	904268	2		
44	Float switch	208427	1		
45	Clixon (105 degrees celcius)	904749	1		
46	Relay	208434	1		
47	Relay holder	208427	1		
48	Thermal fuse (144°C)	208441	1		
*	Cord inlet	904374	1	Not shown on expl. View	
*	Decanter	445907	2	Not shown on expl. View	
*	Clixon (145°C) (in some models)	904237	1	Not shown on expl. View	

n/a -> not available

nss -> not sold separately

Circuit diagram

 HENDI <small>FOOD SERVICE EQUIPMENT</small> Hendi B.V. Steenoven 21 3911 TX Rhenen The Netherlands	Batch #	Appliance part#
	0000000	208304
	Description	
	Coffee machine 1,8L	

Date	20-06-2017	Revision #	Revision version
Revision	First bill of materials (BOM)		

