



ICE CREAM MAKER



Item: 274231

You should read this user manual carefully before using the appliance.

Bevor Sie das Gerät in Betrieb nehmen, sollten Sie diese Gebrauchsanweisung aufmerksam lesen.

Alvorens de apparatuur in gebruik te nemen dient u deze gebruiksaanwijzing aandachtig te lezen.

Przed uruchomieniem urządzenia należy koniecznie dokładnie przeczytać niniejszą instrukcję obsługi.

Lisez attentivement ce mode d'emploi avant d'utiliser l'appareil .

Prima di utilizzare l'apparecchio in funzione leggere attentamente le istruzioni per l'uso.

Citiți cu atenție prezentul manual de utilizare înainte de folosirea aparatului.

Внимательно прочитайте руководство пользователя перед использованием прибора.

Πρέπει να διαβάσετε αυτές τις οδηγίες χρήσης προσεκτικά πριν χρησιμοποιήσετε τη συσκευή.



Keep this manual with the appliance.
Diese Gebrauchsanweisung bitte beim Gerät aufbewahren.
Bewaar deze handleiding bij het apparaat.
Zachowaj instrukcję urządzenia.
Gardez ces instructions avec cet appareil.
Conservate le istruzioni insieme all'apparecchio.
Păstrați manualul de utilizare alături de aparat.
Хранить руководство вместе с устройством.




For indoor use only.
Nur zur Verwendung im Innenbereich.
Alleen voor gebruik binnenshuis.
Do użytku wewnątrz pomieszczeń.
Pour l'usage à l'intérieur seulement.
Destinato solo all'uso domestico.
Doar pentru uz la interior.
Использовать только в помещениях.



Dear Customer,

Thank you for purchasing this HENDI appliance. Before using the appliance for the first time, please read this manual carefully, paying particular attention to the safety regulations outlined below.

Safety regulations

- This appliance is intended for buffet and household use.
- The appliance must only be used for the purpose for which it was intended and designed. The manufacturer is not liable for any damage caused by incorrect operation and improper use.
- Keep the appliance and electrical plug away from water and any other liquids. In the event that the appliance should fall into water, immediately remove plug from the socket and do not use until the appliance has been checked by a certified technician. Failure to follow these instructions could cause a risk to lives.
- Never attempt to open the casing of the appliance yourself.
- Do not insert any objects in the casing of the appliance.
- Do not touch the plug with wet or damp hands.
-  **Danger of electric shock!** Do not attempt to repair the appliance yourself. In case of malfunctions, repairs are to be conducted by qualified personnel only.
- **Never use a damaged appliance!** Disconnect the appliance from the electrical outlet and contact the retailer if it is damaged.
- **Warning!** Do not immerse the electrical parts of the appliance in water or other liquids. Never hold the appliance under running water.
- Regularly check the power plug and cord for any damage. If the power plug or power cord is damaged, it must be replaced by a service agent or similarly qualified persons in order to avoid danger or injury.
- Make sure the cord does not come in contact with sharp or hot objects and keep it away from open fire. To pull the plug out of the socket, always pull on the plug and not on the cord.
- Ensure that the cord (or extension cord) is positioned so that it will not cause a trip hazard.
- Always keep an eye on the appliance when in use.
- **Warning!** As long as the plug is in the socket the appliance is connected to the power source.
- Turn off the appliance before pulling the plug out of the socket.
- Never carry the appliance by the cord.
- Do not use any extra devices that are not supplied along with the appliance.
- Only connect the appliance to an electrical outlet with the voltage and frequency mentioned on the appliance label.
- Connect the power plug to an easily accessible electrical outlet so that in case of emergency the appliance can be unplugged immediately. To completely switch off the appliance pull the power plug out of the electrical outlet.
- Always turn the appliance off before disconnecting the plug.

EN

- Never use accessories other than those recommended by the manufacturer. Failure to do so could pose a safety risk to the user and could damage the appliance. Only use original parts and accessories.
- This appliance is not intended for use by persons (including children) with reduced physical, sensory or mental capabilities, or lack of experience and knowledge.
- This appliance must not be used by children under any circumstances.
- Keep the appliance and its cord out of reach of children.
- Always disconnect the appliance from the mains if it is left unattended or is not in use, and before assembly, disassembly or cleaning.
- Never leave the appliance unattended during use.

Special Safety Regulations

- This appliance is designed only for making ice-cream, sorbet and frozen yoghurt. Any other use may lead to damage of the appliance or personal injury.
- Use the appliance only as described in this manual.
- This appliance should be operated by trained personnel in kitchen of the restaurant, canteens or bar staff, etc.



Caution! Hot surface! The surface is hot when in use.
Touch the control panel only.



Caution! Risk of fire! The refrigerant used is R600a. It is a flammable refrigerant which is environmentally friendly. Care must be taken during the transportation and setting up of the appliance that no parts of the cooling system are damaged. Leaking coolant can damage the eyes.

- The foam blowing agent used is C₅H₁₀ in this appliance. It is highly flammable.
- Do not place the appliance on a heating object (gasoline, electric, charcoal cooker, etc.) Keep the appliance away from any hot surfaces and open flames. Always operate the appliance on a level, stable, clean, heat-resistant and dry surface.
- This appliance is not intended to be operated by means of an external timer or separate remote-control system.
- During the operation, never place your hands or kitchen utensils inside the ice-cream container. Touching of stirrer may cause hand and finger injuries or damage the appliance.
- Never remove the stirrer during the operation of the appliance.
- **WARNING:** Keep all ventilation openings in the appliance enclosure clear of obstruction.
- **WARNING:** Do not use mechanical devices or other means to accelerate the defrosting process, other than those recommended by the manufacturer.
- **WARNING:** Do not damage the refrigerant circuit.
- Do not store explosive substances such as aerosol cans with a flammable propellant in this appliance.

- Do not wear loose fitting clothing such as scarf, etc and long hair should be tied up during operation.
- Allow at least 10 cm spacing around the appliance for ventilation purpose during use.
- Do not use hard utensils to hit the outer surface. Do not use water jet, flush directly with water or steam cleaner as the parts will get wet and electric shock might be resulted.
- Do not expose it to direct sunlight. Avoid mechanical shocks and vibrations.
- **Caution!** Securely route the power cord if necessary in order to prevent unintentional pulling or contact with the heating surface.
- Do not clean or store the appliance unless it is completely cooled down.
- No any parts are dishwasher safe.
- This appliance is intended to be used in household and similar applications such as
 - 1) Staff kitchen areas in shops, offices and other working environments;
 - 2) Farm houses and by clients in hotels, motels and other residential type environment;
 - 3) Bed and breakfast type environments;
 - 4) Catering and similar non-retail applications.
- No any parts are dishwasher safe.

Intended use

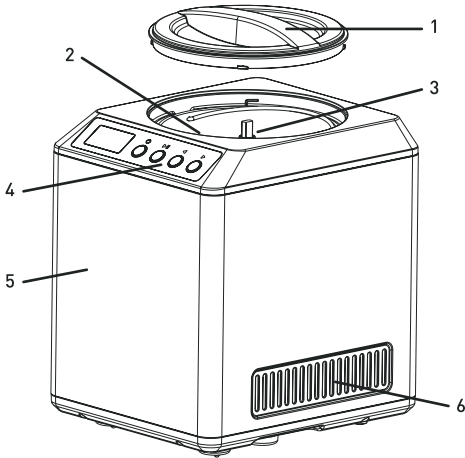
- This appliance is intended for buffet and household use.
- This appliance is designed only for making ice-cream, sorbet and frozen yoghurt. Any other use may lead to damage of the appliance or personal injury.
- Operating the appliance for any other purpose shall be deemed a misuse of the device. The user shall be solely liable for improper use of the device.

Grounding installation

This appliance is classified as protection class I appliance and must be connected to a protective ground. Grounding reduces the risk of electric shock by providing an escape wire for the electric

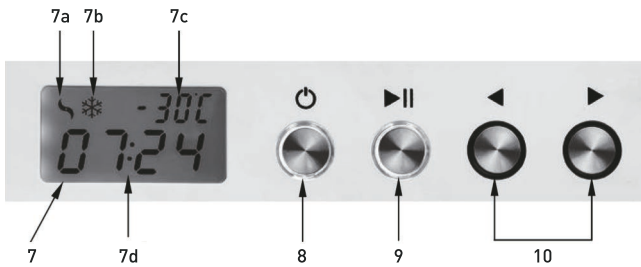
current. This appliance is equipped with a cord having a grounding wire with a grounding plug. The plug must be plugged into an outlet that is properly installed and grounded.

Overview of the main parts of the appliance



1. Transparent lid
2. Removable ice-cream container
3. Stirrer
4. Control panel
5. Housing
6. Ventilation holes

Control panel for the main functions



7. Digital display: it will show the following messages during operation:

7a.- Motor running for the rotation of stirrer

7b.- Cooling operation

7c.- Temperature at the bottom of the removable container (Range: -10°C ~ -35°C)

7d.- Timer (Default: 90 minutes). Remaining time during ice-cream making operation

8. STANDBY/OFF button: Press to switch to STANDBY or OFF mode of the appliance

9. START/PAUSE button: Press to start ice cream making operation. Press again to pause.

10. Time setting buttons

◀ : decrease the time of operation

▶ : increase the time of operation

Preparations before using for the first time

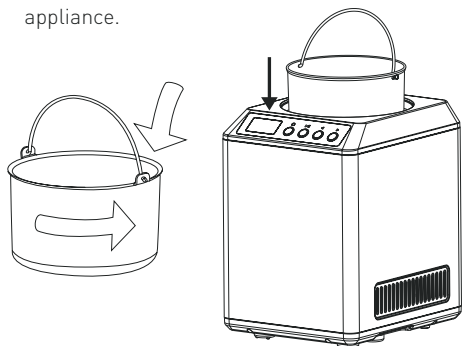
- Remove all protective packaging and wrapping.
- Check to make sure the appliance is undamaged and with all accessories (e.g. plastic scoop, stirrer, ice-cream container, measuring cup). In case of incomplete delivery and damages. Please contact supplier (See ==> Warranty).
- Clean the appliance before use (See ==> Cleaning and Maintenance).
- Make sure the appliance is completely dry.
- Place the appliance on a horizontal, stable and heat resist surface that is safe against water splashes.
- Ensure that there is sufficient ventilation. Keep a minimum distance of 10 cm around the appliance.

Operation

Warning: Make sure the appliance is unplugged from the electrical power supply.

Preparation for the ingredients of making ice-cream

- First, prepare all the ingredients for making the ice-cream according to recommended recipe.
- Then, place the removable container inside the appliance.
- Now, mount and lock the transparent lid (1) by turning it anti-clockwise. Observe the marking on the outside of the lid (1).

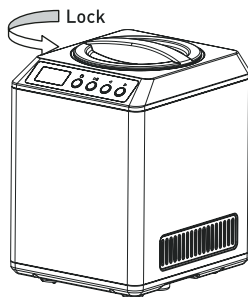


- Next, place the stirrer in the center of the removable container.
- After that, fill the ice-cream container (2) with the prepared ingredients. The ingredients should be well cooled before (about 10°C). Never being warm or hot.

Note: To avoid spilling of the excessive cream from the ice-cream container during operation, fill the ice-cream container with up to 60% of its total capacity. Ice-cream will expand during operation and fill the whole container.

Ice-cream making operation

- Set the desired time by pressing button (10). (Timer range: 5 ~ 90 minutes).
Note: The appliance will start from default time of 90 minutes if no any buttons are pressed.
- Then, press START/PAUSE button (9) to start ice cream making operation. Press again to pause.
- The stirrer start rotation and cooling operation is started for making ice-cream.
- Indicator (7a) and (7b) will be blinked. Temperature at the bottom of container (7c) and remaining time (7d) will be shown on the display (7).
- When the set time is reached, indicator (7a) and (7b) will go out. The stirrer will stop rotation & the motor will stop running.
- Press STANDBY/OFF (8) to switch OFF the appliance and unplug it, take the ice-cream container out and enjoy it.
- If the consistency of the ice-cream is not good after the set time is reached, you can extend processing time by pressing the increase / decrease time button (10) or add some ingredients.



Addition of extra ingredient

- During ice-cream making process, you can add additional ingredients according to your special taste such as fruit, chocolate chips, raisins, nuts, almonds, etc.
- To do this, just open the transparent lid (1) and be careful during the addition of ingredients.
- Close the lid (2) after addition.

Keep cool functional

This function allows the user to serve the ice-cream at a later time.

- When the set time is reached, the stirrer will stop rotation and the motor will stop running.
- The display will blink with 00:00 / COOL for about 10 minutes each alternately and the temperature indicator (7d) will show continuously.
- This indicates that it enters the "Keep cool" mode. This "Keep cool" function will last for about 2 hrs.
- After 2 hrs, the appliance will be switched OFF automatically with the display without background light.

Motor protection

- If the ice-cream is too hard, the motor will be blocked to rotate and ice-cream making process will be interrupted.
- The appliance will shut down automatically in order to prevent motor overheated.
- Unplug the appliance and cool down completely before start up again.
- Check again the recipe and discard the food as the ingredients not correct and goes bad.

Removing and serving the ice-cream

- Open the lid (1) of the appliance and remove the ice-cream container (2) from the appliance. Transfer the ice-cream to an appropriate container or ice-cream goblets.
Note: Use only plastic or wooden scoops (included) to avoid damaging ice-cream container.
- Store ice-cream in an appropriately sealed container at a max. temperature of about -12°C for maximum of 1 week period. Mark the container with date of production and flavour.
- **Caution!** Ice-cream is good environment for bacteria growth. Keep the ice-cream, appliance and containers for ice-cream storage perfectly clean and dry. Never re-freeze melted or partially thawed ice-cream.

Suggested recipes

1. Vanilla ice-cream
 - Milk: 250ml
 - Cream: 500ml
 - Sugar 110g
 - 1 ~ 2 teaspoons vanilla extract
2. Chocolate ice-cream
 - Milk: 250ml
 - Cream: 500ml
 - Sugar 50g
 - 100g bittersweet or semi-sweet chocolate (your favourite)
 - 1 teaspoon vanilla extract

Remark: Please note that these recipes are just for reference only.

Cleaning and Maintenance

Attention: Always unplug the appliance from the electrical power outlet and let it cool down completely before cleaning & storage.

Cleaning

- Never immerse the appliance in water or other liquids.
- Clean the cooled exterior surface with a slightly damp cloth or sponge with some mild soap solution.
- Never use abrasive sponges or detergents, steel wool or metallic utensils to clean the interior or exterior parts of the appliance.
Note: No any parts are dishwasher safe.

Storage

- Before storage, always make sure the appliance has already been disconnected from the electrical outlet and cooled down completely.
- Store the appliance in a cool, clean and dry place.

Troubleshooting

If the appliance does not function properly, please check the below table for the solution. If you are still unable to solve the problem, please contact the supplier/service provider.

Problems	Possible cause	Possible solution
The appliance does not switch on.	- Power plug is not connected properly with the electrical outlet. - Press the Standby/OFF (1) button.	- Check the power plug to make sure it is connected properly. - Press the Standby/OFF (1) button.
The stirrer stops rotation	- The ice-cream is too hard and so stop to prevent overheating.	- Unplug the appliance and cool down completely to start up again. - Throw away the ingredients and check again the recipe.

EN

Technical specification

Item no.: 274231

Operating voltage and frequency: 220- 240V~ 50Hz

Rated input power: 180W

Container capacity: approx. 2,0L

Ice-cream production capacity: approx. 1,3L

Temperature range: - 10°C ~ - 35°C

Timer setting: 5 ~ 90 mins

(The stirrer rotates until the timer ends. When the stirrer gets blocked by ice cream the motor will stop automatically to prevent damage.)

Protection class: class I

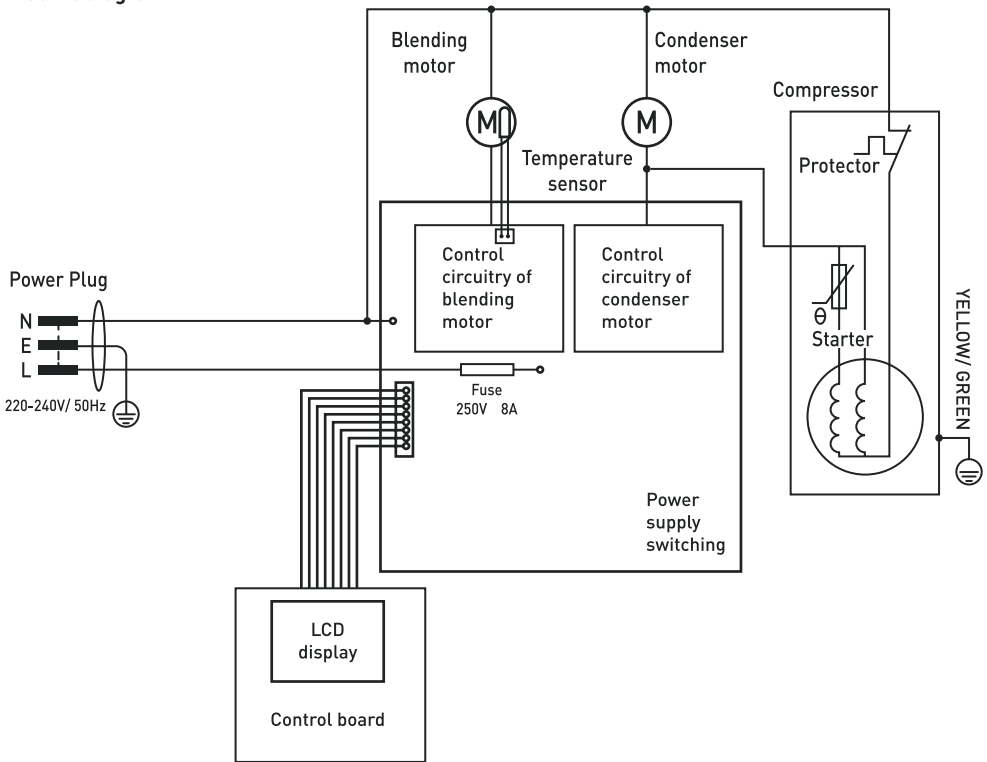
Refrigerant used and quantity: R600a / 32g

Dimension: 272x315x(H)362mm

Net weight: 12kg

Remark: Technical specification is subjected to change without prior notification

Electric diagram



Warranty

Any defect affecting the functionality of the appliance which becomes apparent within one year after purchase will be repaired by free repair or replacement provided the appliance has been used and maintained in accordance with the instructions and has not been abused or misused in any way. Your statutory rights are not affected. If the appliance is claimed under warranty, state where and

when it was purchased and include proof of purchase (e.g. receipt).

In line with our policy of continuous product development we reserve the right to change the product, packaging and documentation specifications without notice.

Discarding & Environment

When decommissioning the appliance, the product must not be disposed of with other household waste. Instead, it is your responsibility to dispose of your waste equipment by handing it over to a designated collection point. Failure to follow this rule may be penalized in accordance with applicable regulations on waste disposal. The separate collection and recycling of your waste equipment at the time of disposal will help conserve natural re-

sources and ensure that it is recycled in a manner that protects human health and the environment. For more information about where you can drop off your waste for recycling, please contact your local waste collection company. The manufacturers and importers do not take responsibility for recycling, treatment and ecological disposal, either directly or through a public system.

Sehr geehrte Kundin, sehr geehrter Kunde,

wir danken Ihnen für den Kauf des Gerätes Hendi. Machen Sie sich bitte mit dieser Anleitung noch vor der Inbetriebnahme des Gerätes vertraut, um Schäden durch die unsachgemäße Bedienung zu vermeiden. Den Sicherheitsregeln ist besondere Aufmerksamkeit zu widmen.

Sicherheitsregeln

- Die unsachgemäße Bedienung des Geräts kann zur schweren Beschädigung des Geräts sowie zu Verletzungen führen.
- Dieses Gerät ist für den Buffet- und Haushaltsgebrauch bestimmt.
- Das Gerät ist ausschließlich zu dem Zweck zu benutzen, zu dem es hergestellt wurde. Der Hersteller haftet nicht für Schäden, die auf unsachgemäße Bedienung des Geräts zurückzuführen sind.
- Den Kontakt des Gerätes und des Steckers mit Wasser oder einer anderen Flüssigkeit vermeiden. Den Stecker unverzüglich aus dem Stecker ziehen und das Gerät von einem anerkannten Fachmann prüfen lassen, wenn das Gerät unbeabsichtigterweise ins Wasser fällt. Bei Nichteinhaltung dieser Sicherheitsvorschriften besteht Lebensgefahr.
- Nie eigenständig das Gehäuse des Gerätes zu öffnen versuchen.
- In das Gehäuse des Gerätes keine Gegenstände einführen.
- Den Stecker nicht mit nassen oder feuchten Händen berühren.
-  **Gefahr eines Stromschlags!** Das Gerät darf nicht selbstständig repariert werden. Sämtliche Mängel und Unzulänglichkeiten sind ausschließlich durch qualifiziertes Personal zu beseitigen.
- **Niemals ein beschädigtes Gerät benutzen!** Das beschädigte Gerät vom Netz trennen und sich mit dem Verkäufer in Verbindung setzen.
- **Warnung:** Die Elektroteile des Gerätes dürfen weder in Wasser noch in andere Flüssigkeiten getaucht werden. Ebenso ist das Gerät nicht unter fließendes Wasser zu halten.
- Der Stecker und die Stromversorgungsleitung sind regelmäßig auf Beschädigungen zu prüfen. Der beschädigte Stecker oder Leitung sind an eine Servicestelle oder einer anderen qualifizierten Person zur Reparatur zu übergeben, um eventuellen Gefahren und Verletzungen des Körpers vorzubeugen.
- Man muss sich davon überzeugen, ob die Stromversorgungsleitung weder mit scharfkantigen noch mit heißen Gegenständen in Berührung kommt; halten Sie die Leitung weit entfernt von einer offenen Flamme. Um den Stecker aus der Netzsteckdose zu nehmen, muss man immer am Stecker und nicht an der Leitung ziehen.
- Die Stromversorgungsleitung (oder Verlängerungsleitung) ist vor dem zufälligen Herausziehen aus der Steckdose zu schützen. Die Stromversorgungsleitung muss so geführt werden, dass niemand zufällig darüber stolpern kann.
- Das Gerät muss während seiner Anwendung ständig kontrolliert werden.
- **Warnung!** Wenn der Stecker in der Netzsteckdose ist, muss man das Gerät als an die Stromversorgung angeschlossen betrachten.
- Bevor der Stecker aus der Netzsteckdose genommen wird, ist das Gerät auszuschalten.

- Das Gerät darf beim Tragen nicht an der Leitung gehalten werden.
- Benutzen Sie kein Zubehör, das nicht mit diesem Gerät mitgeliefert wurde.
- Das Gerät muss man ausschließlich an die Steckdose mit solch einer Spannung und Frequenz anschließen, wie auf dem Typenschild angegeben wird.
- Stecken Sie den Stecker in die Steckdose, die an einem leicht und bequem zugänglichen Ort angeordnet ist, und zwar so, dass das Gerät bei einer Störung sofort abgeschaltet werden kann. Um das Gerät vollständig auszuschalten, muss man es von der Stromquelle trennen. Zu diesem Zweck muss man den Stecker, der sich am Ende der vom Gerät getrennten Leitung befindet, aus der Netzsteckdose ziehen.
- Vor dem Abtrennen des Steckers ist das Gerät auszuschalten!
- Benutzen Sie kein Zubehör, das nicht vom Hersteller empfohlen wird. Die Anwendung vom nicht empfohlenen Zubehör stellt eine Gefahr für den Nutzer dar und kann zur Beschädigung des Gerätes führen. Benutzen Sie ausschließlich Ersatzteile und Zubehör im Original.
- Dieses Gerät eignet sich nicht für den Gebrauch durch Personen (gilt auch für Kinder) mit geringerer Motorik, Sensorik oder geistiger Fähigkeit oder mangelhafter Erfahrung und Wissen.
- Auf keinen Fall darf das Bedienen des Gerätes durch Kinder zugelassen werden.
- Das Gerät mit Stromversorgungsleitung ist außerhalb der Reichweite von Kindern zu lagern.
- Ebenso muss dafür gesorgt werden, dass die Kinder das Gerät nicht zum Spielen benutzen.
- Das Gerät ist immer dann von der Stromversorgung zu trennen, wenn es ohne Aufsicht bleiben soll bzw. auch vor der Montage, Demontage und Reinigung.
- Während der Nutzung darf das Gerät nicht ohne Aufsicht gelassen werden.

DE

Besondere Sicherheitsbestimmungen

- Dieses Gerät ist nur für die Herstellung von Eis, Sorbet und gefrorenem Joghurt vorgesehen. Jede andere Verwendung kann zu Schäden am Gerät oder zu Verletzungen führen.
- Verwenden Sie das Gerät nur für die in diesem Handbuch beschriebenen Zwecke.
- Dieses Gerät darf nur von geschultem Personal in der Küche eines Restaurants, in Kantinen oder von Mitarbeitern einer Bar usw. betrieben werden.



Achtung! Heiße Oberfläche! Die Oberfläche wird bei Benutzung heiß. Es darf nur das Bedienfeld berührt werden.



Achtung! Es besteht Feuergefahr! Im Gerät wird R600a als Kältemittel verwendet. Es ist ein umweltfreundliches, leicht brennbares Kältemittel. Bei Transport und Aufstellung des Gerätes ist besonders darauf zu achten, dass keine Teile des Kältesystems beschädigt werden. Auslaufendes Kältemittel kann zu Augenschäden führen.

- Als Treibmittel wird in diesem Gerät C_5H_{10} verwendet. Es ist leicht entflammbar.

- Platzieren Sie das Gerät nicht auf einen Heizkörper (Benzin, Kohlenofen, usw.). Halten Sie das Gerät von heißen Oberflächen und offenen Flammen entfernt. Betreiben Sie das Gerät ausschließlich auf einer ebenen, stabilen, sauberen, hitzebeständigen und trockenen Oberfläche
- Dieses Gerät darf nicht über einen externen Zeitgeber oder über eine separate Fernbedienung betrieben werden.
- Platzieren Sie während des Betriebs niemals Ihre Hände oder Küchenutensilien in den Eisbehälter. Das Berühren des Rührwerks kann Hand- und Fingerverletzungen verursachen oder das Gerät beschädigen.
- Entfernen Sie während des Betriebs des Gerätes niemals das Rührwerk.
- **WARNUNG:** Halten Sie alle Belüftungsöffnungen am Gerätegehäuse frei von Hindernissen.
- **WARNUNG:** Verwenden Sie keine mechanischen Vorrichtungen oder andere Mittel, außer den vom Hersteller empfohlenen, um den Abtauvorgang zu beschleunigen.
- **WARNUNG:** Beschädigen Sie nicht den Kältemittelkreislauf.
- Lagern Sie keine explosiven Stoffe, wie z.B. Aerosoldosen im Gerät, die ein brennbares Treibmittel besitzen.
- Tragen Sie keine lose Kleidung wie z.B. einen Schal, usw., und lange Haare müssen während des Betriebs hochgebunden werden.
- Sehen Sie einen Abstand von mindestens 10 cm vor, um dem Gerät während des Gebrauchs eine ausreichende Belüftung zu verschaffen.
- Verwenden Sie keine harten Gegenstände, um auf die äußere Oberfläche zu schlagen. Verwenden Sie keinen Wasserstrahl, direktes Sprühen mit Wasser oder Dampfreiniger, da ansonsten die Teile nass werden und ein elektrischer Schlag entstehen kann.
- Setzen Sie es keiner direkten Sonneneinstrahlung aus. Vermeiden Sie mechanische Stöße und Vibrationen.
- **Achtung!** Verlegen Sie das Netzkabel bei Bedarf auf sichere Weise, um ein unbeabsichtigtes Ziehen oder einen Kontakt mit der erhitzten Oberfläche zu vermeiden.
- Reinigen oder lagern Sie das Gerät nur dann, wenn es vollständig abgekühlt ist.
- Sämtliche Teile sind nicht spülmaschinenfest.
- Dieses Gerät ist für den Einsatz in Haushalts- und ähnlichen Anwendungen vorgesehen, wie z.B.
 - 1) Küchenbereiche für Mitarbeiter in Geschäften, Büros und anderen Arbeitsumgebungen;
 - 2) Bauernhäuser und für Kunden in Hotels, Motels und anderen Wohngebieten;
 - 3) Bed and Breakfast-Umgebungen;
 - 4) Catering und ähnliche einzelhandelsfremden Anwendungen.
- Sämtliche Teile sind nicht spülmaschinenfest.

Verwendungszweck des Gerätes

- Dieses Gerät ist für den Buffet- und Haushaltsgebrauch bestimmt.
- Dieses Gerät ist nur für die Herstellung von Eis, Sorbet und gefrorenem Joghurt vorgesehen. Die Verwendung des Gerätes für andere Zwecke kann zu seiner Beschädigung sowie zu Körperverletzungen führen. Die Verwendung des Gerä-

tes für andere Zwecke kann zu seiner Beschädigung sowie zu Körperverletzungen führen.

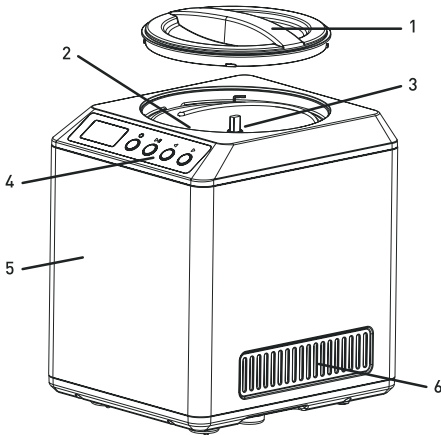
- Jede andere Verwendung des Gerätes gilt als nicht bestimmungsgemäß. Der Benutzer ist allein verantwortlich für die unsachgemäße Nutzung des Gerätes.

Montage der Erdung

Die Aufsatzkühlvitrine ist ein Gerät der I. Schutzklasse und erfordert eine Erdung. Die Erdung verringert aufgrund der Anwendung eines Kabels, das den elektrischen Strom ableitet, das Risiko eines elektrischen Stromschlags. Das Gerät ist

mit einem Schutzleiter mit Schutzkontaktstecker ausgerüstet. Bevor das Gerät nicht entsprechend installiert und geerdet wurde, darf man den Schutzkontaktstecker nicht in die Netzsteckdose stecken.

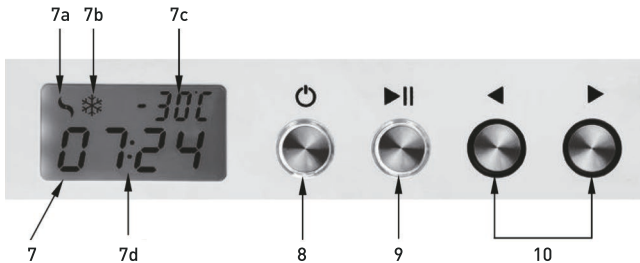
Übersicht der wichtigsten Teile des Gerätes



1. Transparenter Deckel
2. Abnehmbarer Eisbehälter
3. Rührwerk
4. Bedienfeld
5. Gehäuse
6. Belüftungslöcher

DE

Bedienfeld für die wichtigsten Funktionen



7. Digitalanzeige: es werden nachfolgende Meldungen während des Betriebs angezeigt:
- 7a.- Motorbetrieb für die Rotation des Rührwerks läuft
 - 7b.- Kühlbetrieb

- 7c.- Temperatur am Boden des abnehmbaren Behälters (Bereich: -10°C --35°C)
- 7d.- Zeitgeber (Voreinstellung: 90 Minuten). Verbleibende Zeit während der Eiszubereitung

8. BEREITSCHAFTS-/AUS-Taste: Drücken Sie, um zwischen BEREITSCHAFTS- oder AUS-Modus des Gerätes zu wechseln
9. START/PAUSE-Taste: Drücken Sie, um die Herstellung von Speiseeis zu starten. Drücken Sie erneut, um zu pausieren.

10. Zeiteinstellungstasten

- ◀ : verringern Sie die Betriebszeit
- ▶ : verlängern Sie die Betriebszeit

Vorbereitungen vor dem erstmaligen Gebrauch

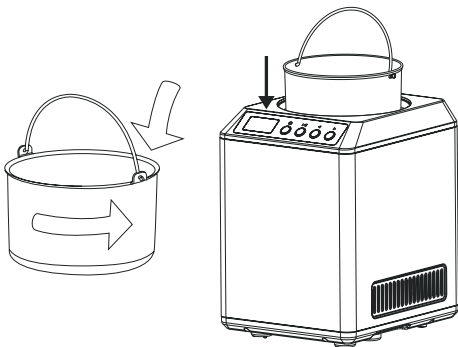
- Entfernen Sie alle Schutz- und sonstigen Verpackungen.
- Überprüfen Sie, ob das Gerät unbeschädigt ist und mit allen Zubehörteilen (z.B. Plastikschaufel, Rührwerk, Eisbehälter, Messbecher). Bei unvollständiger Lieferung und Schäden. Bitte wenden Sie sich an den Lieferanten (siehe ==> Garantie).
- Reinigen Sie das Gerät vor dem Gebrauch (siehe ==> Reinigung und Wartung).
- Vergewissern Sie sich, dass das Gerät vollständig trocken ist.
- Platzieren Sie das Gerät auf einer waagerechten, stabilen und hitzebeständigen Oberfläche, die gegen Spritzwasser geschützt ist.
- Achten Sie auf eine ausreichende Belüftung. Halten Sie einen Mindestabstand von 10 cm um das Gerät herum ein.

Betrieb

Warnung: Stellen Sie sicher, dass das Gerät von der elektrischen Stromversorgung getrennt wird.

Vorbereitung der Zutaten für die Zubereitung von Speiseeis

- Bereiten Sie als erstes alle Zutaten für die Herstellung des Speiseeises nach empfohlenem Rezept zu.
- Platzieren Sie anschließend den herausnehmbaren Behälter in das Gerät.

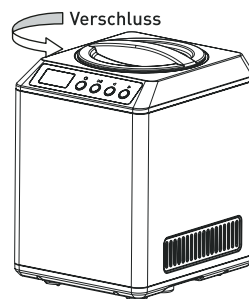


- Platzieren Sie das Rührwerk anschließend in die Mitte des abnehmbaren Behälters.
- Danach füllen Sie den Eisbehälter (2) mit den vorbereiteten Zutaten. Die Zutaten müssen zuvor gut gekühlt werden (auf ca. 10°C). Niemals warm oder heiß verwenden.

Hinweis: Um zu vermeiden, dass überschüssige Creme während des Betriebes aus dem Eisbehälter verschüttet wird, dürfen Sie den Eisbehälter

ter nur bis zu 60% seiner Gesamtkapazität füllen. Speiseeis dehnt sich während des Betriebes aus und füllt den gesamten Behälter.

- Montieren Sie jetzt den transparenten Deckel (1), indem Sie ihn gegen den Uhrzeigersinn drehen. Achten Sie auf die Markierung auf der Außenseite des Deckels (1).



- Verbinden Sie den Stecker mit einer geeigneten elektrischen Stromversorgung. Ein kurzer Signalton wird ertönen.
- Wechseln Sie in den BEREITSCHAFT-Modus, indem Sie die BEREITSCHAFT-/AUS-Taste (8) drücken.

Eiszubereitung

- Stellen Sie mittels der Taste [10] die gewünschte Zeit ein. (Zeitgeberbereich: 5 ~ 90 Minuten). Hinweis: Das Gerät wird mit der Standardzeit von 90 Minuten starten, falls keine anderen Tasten gedrückt werden.
- Drücken Sie anschließend die START/PAUSE-Taste [9], um mit der Herstellung von Speiseeis zu beginnen. Drücken Sie erneut, um zu pausieren.
- Das Rührwerk beginnt zu rotieren und der Kühlbetrieb für die Herstellung von Speiseeis beginnt.
- Anzeigen (7a) und (7b) werden blinken. Die Temperatur am Boden des Behälters (7c) und die Restzeit (7d) wird auf dem Display (7) angezeigt.
- Sobald die eingestellte Zeit erreicht ist, erlischt die Anzeige (7a) und (7b). Das Rührwerk stoppt die Rotation und der Motor läuft nicht weiter.
- Drücken Sie BEREITSCHAFT/AUS (8), um das Gerät auszuschalten, ziehen Sie danach den Netzstecker, entnehmen den Speiseeisbehälter und genießen Ihr Speiseeis.
- Sollte die Konsistenz des Speiseeises nach Ablauf der eingestellten Zeit nicht geeignet sein, können Sie die Bearbeitungszeit verlängern, indem Sie die Zunahme-/ Verringerungszeitaste (10) drücken oder einige Zutaten hinzufügen.

Hinzufügen weiterer Zutaten

- Während des Herstellungsprozesses von Speiseeis können Sie zusätzliche Zutaten nach Ihrem besonderen Geschmack, wie z.B. Obst, Schokoladen-Chips, Rosinen, Nüsse, Mandeln, usw. hinzufügen.
- Um dies zu tun, öffnen Sie einfach den transparenten Deckel (1) und geben Sie die Zutaten vorsichtig hinzu.
- Schließen Sie den Deckel (2) anschließend wieder.

Kalthaltfunktion

Diese Funktion ermöglicht es dem Benutzer, das Eis zu einem späteren Zeitpunkt zu verspeisen.

- Sobald die eingestellte Zeit erreicht ist, stoppt das Rührwerk die Rotation und der Motor läuft nicht weiter.
- Die Anzeige blinkt mit 00:00 / KÜHLUNG für etwa 10 Minuten abwechselnd und die Temperaturanzeige (7d) wird kontinuierlich angezeigt.
- Dies zeigt an, dass es in den „Kalthalte“-Modus eintritt. Diese „Kalthalte“-Funktion dauert ca. 2 Stunden an.
- Nach 2 Std. wird das Gerät automatisch mit Anzeige ohne Hintergrundlicht AUS geschaltet.

Motorschutz

- Sollte das Eis zu hart sein, wird ein weiteres Rotieren des Motors blockiert, und der Herstellungsprozess von Speiseeis wird unterbrochen.
- Das Gerät schaltet sich automatisch ab, um einen überhitzten Motor zu vermeiden.
- Ziehen Sie den Netzstecker aus der Steckdose und lassen Sie das Gerät vollständig abkühlen.
- Überprüfen Sie noch einmal das Rezept und entsorgen Sie das Essen, falls die inkorrekten Zutaten zu einem schlechten Resultat führen.

Speiseeis entfernen und servieren

- Öffnen Sie den Deckel (1) des Gerätes und entfernen Sie den Eisbehälter (2) aus dem Gerät. Füllen Sie das Eis in einen geeigneten Behälter oder Eisbecher.
Hinweis: Verwenden Sie ausschließlich Plastik- oder Holzschaufeln (im Lieferumfang enthalten), um eine Beschädigung des Eisbehälters zu vermeiden.
- Sie können das Eis in einem gut verschließbaren Behälter bei einer max. Temperatur von ca. -12°C

für maximal 1 Woche aufbewahren. Vermerken Sie Herstellungsdatum sowie Geschmack auf dem Behälter.

- **Achtung!** Speiseeis bietet ein gutes Umfeld für Bakterienwachstum. Bewahren Sie Speiseeis, Geräte sowie Behälter für die Aufbewahrung von Speiseeis einwandfrei sauber und trocken auf. Frieren Sie geschmolzenes oder teilweise aufgetautes Eis nicht erneut ein.

Rezeptvorschläge

1. Vanillespeiseeis

- Milch: 250ml
- Sahne: 500ml
- 110gr Zucker
- 1 ~ 2 Teelöffel Vanilleextrakt

2. Schokoladenspeiseeis

- Milch: 250ml
- Sahne: 500ml
- 50gr Zucker
- 100g bittersüße oder halb-süße Schokolade (Ihren Favoriten)
- 1 Teelöffel Vanilleextrakt

Anmerkung: Bitte beachten Sie, dass diese Rezepte nur als Referenz dienen sollen.

Reinigung und Instandhaltung

Zu beachten: Ziehen Sie den Netzstecker aus der Steckdose und lassen Sie das Gerät vor einer Reinigung oder Lagerung vollständig abkühlen.

Reinigung

- Tauchen Sie das Gerät niemals in Wasser oder andere Flüssigkeiten ein.
- Reinigen Sie die abgekühlte Außenfläche mit einem leicht feuchten Tuch oder einem Schwamm mit etwas milder Seifenlösung.
- Verwenden Sie niemals scheuernde Schwämme oder Reinigungsmittel, Stahlwolle oder metallische Utensilien, um die Innen- oder Außenteile des Gerätes zu reinigen.
Hinweis: Sämtliche Teile sind nicht spülmaschinenfest.

Lagerung

- Vor einer Lagerung müssen Sie sicherstellen, dass das Gerät bereits von der Steckdose getrennt und vollständig abgekühlt ist.
- Bewahren Sie das Gerät an einem kühlen, sauberen und trockenen Platz auf.

Fehlerbehebung

Sollte das Gerät nicht ordnungsgemäß funktionieren, überprüfen Sie bitte die nachfolgende Tabelle für eine Lösung. Sollten Sie das Problem noch immer nicht lösen können, wenden Sie sich bitte an den Lieferanten/Dienstanbieter.

Probleme	Mögliche Ursache	Mögliche Lösung
Das Gerät lässt sich nicht einschalten.	<ul style="list-style-type: none">- Der Netzstecker ist nicht richtig mit der Steckdose verbunden.- Drücken Sie die Bereitschaft-/AUS-Taste (1).	<ul style="list-style-type: none">- Überprüfen Sie den Netzstecker, um sicherzustellen, dass er ordnungsgemäß angeschlossen ist.- Drücken Sie die Bereitschaft-/AUS-Taste (1).
Das Rührwerk stoppt die Rotation	<ul style="list-style-type: none">- Das Eis ist zu hart und das Rührwerk hört auf zu rotieren, um eine Überhitzung zu vermeiden.	<ul style="list-style-type: none">- Ziehen Sie den Netzstecker aus der Steckdose und lassen Sie das Gerät vollständig abkühlen, um es erneut zu starten.- Entsorgen Sie die Zutaten und überprüfen Sie das Rezept erneut.

Technische Spezifikation

Artikel-Nr.: 274231

Betriebsspannung und Frequenz: 220- 240V~ 50Hz

Nennleistung: 180W

Behälterkapazität: ca. 2,0L

Kapazität der Speiseeisherstellung: ca. 1,3L

Temperaturbereich: - 10°C ~ - 35°C

Zeitgebereinstellung: 5 ~ 90 Min.

[Der Rührer dreht sich, bis die Zeitschaltuhr endet. Wenn der Rührer durch Eiscreme blockiert wird, stoppt der Motor automatisch, um Schäden zu vermeiden.]

Schutzklasse: Klasse I

Kältemittelsorte und verwendete Menge: R600a / 32g

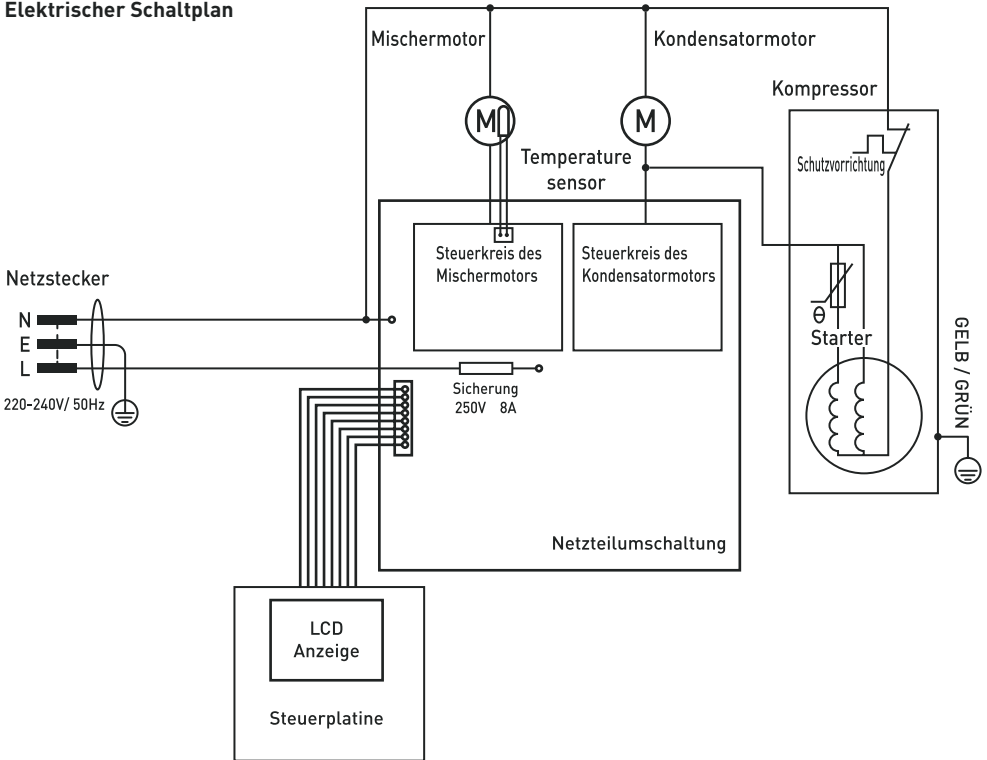
Abmessungen: 272x315x(H)362mm

Nettogewicht: 12kg

DE

Anmerkung: Die technische Spezifikation kann ohne vorherige Ankündigung geändert werden

Elektrischer Schaltplan



Garantie

Alle innerhalb von einem Jahr nach dem Kaufdatum festgestellten Defekte oder Mängel, die die Funktionalität des Gerätes beeinträchtigen, werden auf dem Wege der unentgeltlichen Reparatur bzw. des Austausches unter der Voraussetzung beseitigt, dass das Gerät in einer der Bedienungsanleitung gemäßen Art und Weise betrieben und gewartet wird und weder vorsätzlich vernichtet noch nicht bestimmungsgemäß genutzt wurde. Ihre Rechte aus den entsprechenden Gesetzen

bleiben davon unberührt. Eine in der Garantiefrist einzureichende Beanstandung hat die Angabe des Kaufortes und Kaufdatums und in der Anlage einen Kaufbeleg (z.B. Kassenzettel) zu enthalten.

Entsorgung und Umweltschutz

Wird das Gerät außer Betrieb genommen, darf es nicht über den Hausmüll entsorgt werden. Der Benutzer ist für die Übergabe des Gerätes an eine geeignete Sammelstelle für Altgeräte verantwortlich. Die Nichteinhaltung dieser Regel kann gemäß den geltenden Vorschriften über die Abfallentsorgung bestraft werden. Die getrennte Sammlung und das Recycling der Altgeräte trägt zur Schonung der natürlichen Ressourcen bei und sorgt

für eine umwelt- und gesundheitsschonende Verwertungsweise. Weitere Informationen darüber, wo Sie Ihre Altgeräte entsorgen können, erhalten Sie bei Ihrem örtlichen Entsorgungsunternehmen. Der Hersteller und der Importeur übernehmen keine Verantwortung für das Recycling sowie die umweltfreundliche Verwertung von Abfällen, weder direkt noch über ein öffentliches System.

Geachte klant,

Hartelijk dank voor de aankoop van dit Hendi apparaat. Leest u deze gebruiksaanwijzing zorgvuldig voordat u het apparaat gebruikt, dit om schade door verkeerd gebruik te voorkomen. Lees vooral de veiligheidsinstructies aandachtig door.

Veiligheidsinstructies

- Onjuiste bediening en verkeerd gebruik van het apparaat kan ernstige schade aan het apparaat en verwonding van personen tot gevolg hebben.
- Dit apparaat is bedoeld voor buffet en huishoudelijk gebruik.
- Het apparaat mag alleen worden gebruikt voor het doel waarvoor het werd ontworpen. De fabrikant aanvaardt geen enkele aansprakelijkheid voor schade als gevolg van onjuiste bediening en verkeerd gebruik.
- Zorg dat het apparaat en de stekker niet met water of een andere vloeistof in aanraking komen. Mocht het apparaat onverhoopt in het water vallen, trek dan onmiddellijk de stekker uit het stopcontact en laat het apparaat controleren door een erkend vakman. Niet-naleving hiervan kan levensgevaar opleveren.
- Probeer nooit zelf de behuizing van het apparaat te openen.
- Steek geen voorwerpen in de behuizing van het apparaat.
- Raak de stekker niet met natte of vochtige handen aan.
- ⚡ **Gevaar van elektrische schokken!** Probeer het apparaat niet zelf te repareren. In het geval van storingen, laat reparaties alleen uitvoeren door gekwalificeerd personeel.
- **Gebruik nooit een beschadigd apparaat!** Als het apparaat is beschadigd, haal de stekker dan uit het stopcontact en neem contact op met de winkel.
- **Waarschuwing!** Dompel de elektrische onderdelen van het apparaat niet onder in water of andere vloeistoffen. Houd het apparaat nooit onder stromend water.
- Controleer de stekker en het netsnoer regelmatig op schade. Als de stekker of het netsnoer is beschadigd, moet het worden vervangen door de technische dienst of een soortgelijk gekwalificeerd persoon om gevaar of letsel te voorkomen.
- Zorg ervoor dat het netsnoer niet in contact komt met scherpe of hete voorwerpen en houd het uit de buurt van open vuur. Als u de stekker uit het stopcontact wilt halen, trek dan altijd aan de stekker en niet aan het netsnoer.
- Zorg ervoor dat niemand per ongeluk aan het netsnoer (of verlengsnoer) kan trekken of kan struikelen over het netsnoer.
- Houd het apparaat in de gaten tijdens gebruik.
- **Waarschuwing!** Zolang de stekker in het stopcontact zit, is het apparaat aangesloten op de voedingsbron.
- Schakel het apparaat uit voordat u de stekker uit het stopcontact trekt.
- Draag het apparaat nooit aan het netsnoer.
- Gebruik geen extra hulpmiddelen die niet worden meegeleverd met het apparaat.
- Sluit het apparaat alleen aan op een stopcontact met de spanning en frequentie die is vermeld op het typeplaatje.

- Sluit de stekker aan op een stopcontact dat eenvoudig bereikt kan worden, zodat de stekker in geval van nood onmiddellijk uit het stopcontact kan worden getrokken. Trek de stekker volledig uit het stopcontact om het apparaat volledig uit te schakelen. Gebruik de stekker om het apparaat los te koppelen van het lichtnet.
- Schakel het apparaat altijd uit voordat u de stekker uit het stopcontact trekt.
- Gebruik nooit accessoires die niet worden aanbevolen door de fabrikant. Zij kunnen mogelijk een veiligheidsrisico vormen voor de gebruiker en kunnen het apparaat mogelijk beschadigen. Gebruik alleen originele onderdelen en accessoires.
- Dit apparaat is niet geschikt voor gebruik door personen (inclusief kinderen) met een verminderd fysiek, sensorisch of geestelijk vermogen, of gebrek aan ervaring en kennis.
- Dit apparaat mag onder geen enkele omstandigheid worden gebruikt door kinderen.
- Houd het apparaat en het netsnoer buiten bereik van kinderen.
- Kinderen mogen niet met het apparaat spelen.
- Koppel het apparaat altijd los van het lichtnet als het onbeheerd wordt achtergelaten en voordat het apparaat wordt gemonteerd, gedemonteerd of gereinigd.
- Laat het apparaat nooit onbeheerd achter tijdens gebruik.

Speciale veiligheidsvoorschriften

- Dit apparaat is uitsluitend ontworpen voor het maken van ijs, sorbets en yoghurtijs. Enig ander gebruik kan schade aan het apparaat of persoonlijk letsel veroorzaken.
- Gebruik het apparaat uitsluitend zoals in deze handleiding is beschreven.
- Dit apparaat moet in de keuken van restaurants, kantines, bars enz. worden bediend door opgeleid personeel.



Let op! Heet oppervlak! Het oppervlak is heet wanneer het apparaat wordt ikt. Raak alleen het bedieningspaneel aan.



Let op! Gevaar voor brand! Het gebruikte koelmiddel is R600a. Dit is een ontvlambaar koelmiddel dat milieuvriendelijk is. Tijdens het transport en de installatie van het apparaat moet erop worden gelet dat er geen onderdelen van het koelsysteem worden beschadigd. Lekkend koelmiddel kan uw ogen schaden.

- Het schuimblaasmiddel dat in dit apparaat wordt gebruikt is C_5H_{10} . Het is licht ontvlambaar.
- Plaats het apparaat niet op verwarmingstoestellen (kookplaten op benzine, elektriciteit, houtskool, enz.). Houd het apparaat uit de buurt van enige hete oppervlakken en open vuur. Gebruik het apparaat altijd op een vlak, stabiel, schoon, hittebestendig en droog oppervlak.
- Dit apparaat is er niet voor bestemd om het te laten werken door middel van een externe timer of een apart afstandsbediend systeem.
- Steek tijdens het gebruik nooit uw handen of keukengerei in de ijsbak. Het aanraken van roerder kan letsel aan handen of vingers veroorzaken of het apparaat beschadigen.
- Verwijder de roerder nooit als het apparaat in werking is.

- **WAARSCHUWING:** Houd alle ventilatieopeningen in de behuizing van het apparaat vrij van belemmeringen.
- **WAARSCHUWING:** Gebruik geen mechanische apparaten of andere middelen om het ontdooien te versnellen, anders dan door de fabrikant worden aanbevolen.
- **WAARSCHUWING:** Beschadig het koelcircuit niet.
- Bewaar geen explosieve stoffen, zoals spuitbussen met brandbare drijfgassen, in dit apparaat.
- Draag tijdens het gebruik geen loszittende kleding, zoals sjaals enz. en zorg ervoor dat lang haar is opgebonden.
- Laat tijdens het gebruik ten minste 10 cm ruimte om het apparaat vrij voor ventilatiedoeleinden.
- Gebruik geen hard keukengerei om tegen het buitenste oppervlak te slaan. Gebruik geen waterstralen, spoel niet direct met water of een stoomreiniger, omdat hierdoor de onderdelen nat worden, wat kan leiden tot elektrische schokken.
- Stel het apparaat niet bloot aan direct zonlicht. Vermijd mechanische schokken en trillingen.
- **Let op!** Voer het netsnoer indien nodig op veilige wijze ter vermindering van onbedoeld trekken of contact met het verwarmingsoppervlak.
- Laat het apparaat volledig afkoelen voordat u het reinigt of opbergt.
- Er zijn geen onderdelen vaatwasserbestendig.
- Het apparaat is uitsluitend bestemd voor huishoudelijke en vergelijkbare toepassingen, zoals:
 - 1) Ruimtes voor personeelskeukens in winkels, kantoren en andere werkomgevingen;
 - 2) Op boerderijen en door gasten in hotels, motels en andere woonachtige omgevingen;
 - 3) Omgevingen zoals logies met ontbijt;
 - 4) Catering en vergelijkbare niet-detailhandelstoepassingen.
- Er zijn geen onderdelen vaatwasserbestendig.

Beoogd gebruik

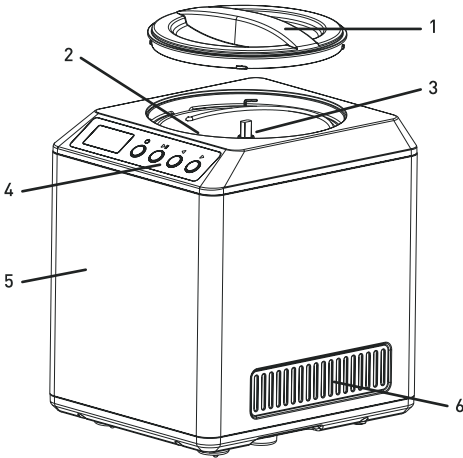
- Dit apparaat is bedoeld voor buffet en huishoudelijk gebruik.
- Dit apparaat is uitsluitend ontworpen voor het maken van ijs, sorbets en yoghurtijs. Elk ander gebruik kan leiden tot schade aan het apparaat of lichamelijk letsel.
- Gebruik van het apparaat voor andere doeleinden wordt beschouwd als verkeerd gebruik van het apparaat. De gebruiker is volledig aansprakelijk voor alle risico's die voortvloeien uit verkeerd gebruik van het apparaat.

Installatie met aarding

Dit apparaat is geclassificeerd als beschermingsklasse I en moet worden aangesloten op een aansluiting met aarde. Aarding verlaagt de kans op elektrische schokken doordat elektrische stroom via een ontsnappingsdraad kan weglopen. Dit ap-

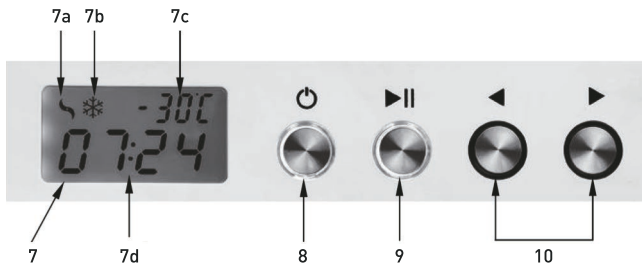
paraat is uitgerust met een snoer met een aardedraad en een geaarde stekker. De stekker moet in een stopcontact worden gestoken dat juist is geïnstalleerd en geaard.

Overzicht van de belangrijkste onderdelen van het apparaat



1. Transparant deksel
2. Verwijderbare ijsbak
3. Roerder
4. Bedieningspaneel
5. Behuizing
6. Ventilatieopeningen

Bedieningspaneel voor de belangrijkste functies



7. Digitaal scherm: dit toont tijdens de werking de volgende berichten:
- 7a.- Motor draait voor het draaien van de roerder
 - 7b.- Werking van de koeling
 - 7c.- Temperatuur op de boden van de verwijderbare bak (bereik: -10°C ~ -35°C)
 - 7d.- Timer (standaard: 90 minuten). Resterende tijd voor het bereiden van het ijs

8. STAND-BY-/UIT-toets: Druk hier op om het apparaat in de STAND-BYmodus of UIT te schakelen
9. START/PAUZE-toets: Druk hierop om het ijsmaken te starten. Druk er nogmaals op om te pauzeren.
10. Toetsen voor tijdinstelling
- ◀ : verkort de werkingsduur
 - ▶ : verleng de werkingsduur

Vorbereidingen voor het eerste gebruik

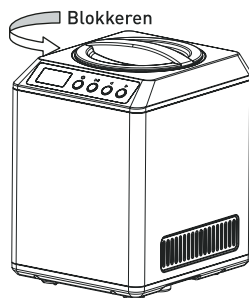
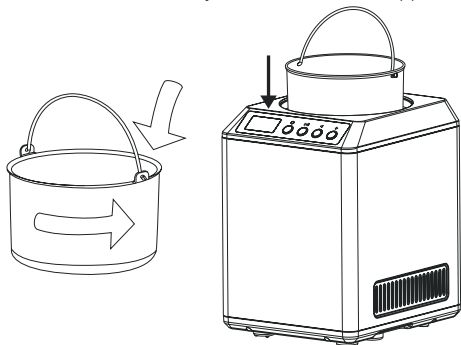
- Verwijder alle beschermende verpakkingsmaterialen.
- Controleer dat het apparaat niet is beschadigd en dat alle accessoires aanwezig zijn (bijv. kunststof lepel, roerder, ijsbak, maatbeker). In het geval van onvolledige levering en schade: Neem contact op met de leverancier (zie == > Garantie).
- Reinig het apparaat voor het gebruik (zie ==> Reiniging en onderhoud).
- Zorg ervoor dat het apparaat volledig droog is.
- Plaats het apparaat op een horizontaal, stabiel en hittebestendig oppervlak dat bestand is tegen waterspetters.
- Zorg ervoor dat er voldoende ventilatie is. Houd tenminste 10 cm ruimte om het apparaat vrij.

Bediening

Waarschuwing: Zorg ervoor dat de stekker van het apparaat uit het stopcontact is gehaald.

Vorbereiding voor de ingrediënten voor het maken van ijs

- Bereid eerst alle ingrediënten voor het maken van het ijs voor, in overeenstemming met het recept.
- Plaats dan de verwijderbare bak in het apparaat.
- Bevestig en vergrendel nu het transparante deksel (1) door dit tegen de klok in te draaien. Neem de markering op de buitenkant van het deksel lid (1) in acht.



- Plaats vervolgens de roerder in het midden van de verwijderbare bak.
 - Vul daarna de ijsbak (2) met de voorbereide ingrediënten. De ingrediënten moeten vooraf goed zijn gekoeld (ongeveer 10°C). Ze mogen nooit warm of heet zijn.
 - Steek de stekker in een geschikt, enkel stopcontact. Er klinkt een korte pieptoon.
- Opmerking: Vul de ijsbak tot 60% van de totale capaciteit, om tijdens het werken het knoeien van overvloedige room uit de ijsbak te vermijden. Het ijs zet tijdens het werken uit en vult de hele bak.

Het maken van ijs

- Stel de gewenste tijd in door op toets (10) te drukken. (Tijdsbereik: 5 ~ 90 minuten).
- Druk dan op de START-/PAUZE-toets (9) om het ijsmaken te starten. Druk er nogmaals op om te pauzeren.
- Als de ingestelde tijd wordt bereikt, dan gaan de indicatielampjes (7a) en (7b) uit. De roerder en de motor stoppen met draaien.
- De roerder begint te draaien en het koelen wordt gestart om ijs te maken.
- Druk op STAND-BY/UIT (8) om het apparaat uit te schakelen, haal de stekker uit het stopcontact, neem de ijsbak uit en geniet ervan.
- Als aan het eind van de ingesteld tijd de consistentie van het ijs niet goed is, dan kunt u de verwerkingstijd verlengen door op de toets verlengen/verkorten tijd (10) drukken of enkele ingrediënten toevoegen.

Extra ingrediënten toevoegen

- U kunt tijdens het ijsmaken naar smaak extra ingrediënten toevoegen, zoals fruit, chocoladeschilders, rozijnen, noten, amandelen enz.
- Open hiervoor het transparante deksel (1) en wees voorzichtig tijdens het toevoegen van ingrediënten.
- Sluit na het toevoegen het deksel (2).

Functie koel houden

Met deze functie kan de gebruiker het ijs later serveren.

- Als de ingestelde tijd wordt bereikt, dan stopt het draaien van de roerder en motor.
- Het scherm knippert gedurende ongeveer 10 minuten afwisselend met 00:00 / COOL en de temperatuurindicator (7d) wordt constant getoond.
- Dit geeft aan dat de ijsmaker naar de modus "Koel houden" gaat. Deze functie "Koel houden" duurt ongeveer 2 uur.
- Het apparaat wordt na 2 uur automatisch uitgeschakeld, waarbij de achterverlichting van het scherm uit gaat.

Beveiliging van de motor

- Als het ijs is te hard is, dan wordt het draaien van de motor geblokkeerd en wordt het ijsmaken onderbroken.
- Het apparaat wordt automatisch uitgeschakeld om oververhitting van de motor te voorkomen.
- Haal de stekker van het apparaat uit het stopcontact en laat het apparaat volledig afkoelen voordat u het opnieuw gebruikt.
- Controleer het recept opnieuw en gooi de voedingsmiddelen weg omdat de ingrediënten niet goed zijn en bederven.

Verwijderen en serveren van het ijs

- Open het deksel (1) van het apparaat en haal de ijsbak (2) uit het apparaat. Doe het ijs in een geschikte bak of ijscoupes.
Opmerking: Gebruik uitsluitend kunststof of houten ijslepels (inbegrepen) om beschadiging van de ijsbak te vermijden.
- Bewaar het ijs gedurende een periode van maximaal 1 week in een geschikte afgesloten bak bij een maximale temperatuur van ongeveer -12°C. Markeer de bak met de productiedatum en de smaak.
- **Let op!** Bacteriën groeien goed in ijs. Houd het ijs, het apparaat en de bakken voor het bewaren van ijs perfect schoon en droog. Bevries gesmolten of gedeeltelijk ontdooid ijs nooit.

Voorgesteld recepten

1. Vanille-ijs
 - Melk: 250 ml
 - Room: 500 ml
 - Suiker 110 g
 - 1 ~ 2 theelepels vanille-essance
2. Chocolade-ijs
 - Melk: 250 ml
 - Room: 500 ml
 - Suiker 50 g
 - 100 g pure of half pure chocolade (uw favoriet)
 - 1 theelepel vanille-essance

Opmerking: Merk op dat deze recepten alleen maar ter referentie zijn.

Reiniging en onderhoud

Let op: Haal de stekker van het apparaat altijd uit het stopcontact en laat het volledig afkoelen voordat u het reinigt en opbergt.

Reiniging

- Dompel het apparaat nooit onder in water of andere vloeistoffen.
- Reinig het afgekoelde buitenoppervlak met een licht vochtige doek of spons met wat zacht sop.
- Gebruik nooit schuursponsjes of schurende reinigingsmiddelen, staalwol of metalen keukengerai om de binnen- of buitenkant van het apparaat te reinigen.
Opmerking: Er zijn geen onderdelen vaatwasserbestendig.

Opslag

- Zorg er voor het opbergen altijd voor dat de stekker van het apparaat uit het stopcontact is gehaald en dat het volledig is afgekoeld.
- Berg het apparaat op een koele, schone en droge plaats op.

Probleemoplossing

Als het apparaat niet goed werkt, controleer dan onderstaande tabel voor de oplossing. Als u het probleem nog steeds niet kunt oplossen, neem dan contact op met de leverancier/dienstverlener.

Problemen	Mogelijke oorzaak	Mogelijke oplossing
Het apparaat schakelt niet in.	- De stekker zit niet goed in het stopcontact. - Druk op de toets Stand-by/UIT (1).	- Controleer de stekker om er zeker van te zijn dat deze goed is aangesloten. - Druk op de toets Stand-by/UIT (1).
De roerder stopt met draaien	- Het ijs is te hard en daarom stopt het apparaat om oververhitting te voorkomen.	- Haal de stekker van het apparaat uit het stopcontact en laat het apparaat volledig afkoelen voordat u het weer opstart. - Gooi de ingrediënten weg en controleer het recept opnieuw.

Technische specificaties

Artikelnr.: 274231

Bedrijfsspanning en frequentie: 220- 240V~ 50Hz

Nominaal ingangsvermogen: 180W

Capaciteit van de bak: ong. 2,0L

Capaciteit ijsproductie: ong. 1,3L

Temperatuursbereik: - 10°C ~ - 35°C

Timerinstelling: 5 ~ 90 min.

(De mixer draait totdat de timer eindigt. Om schade te voorkomen stopt de motor automatisch wanneer de roerder door ijs wordt geblokkeerd.)

Beschermingsklasse: klasse I

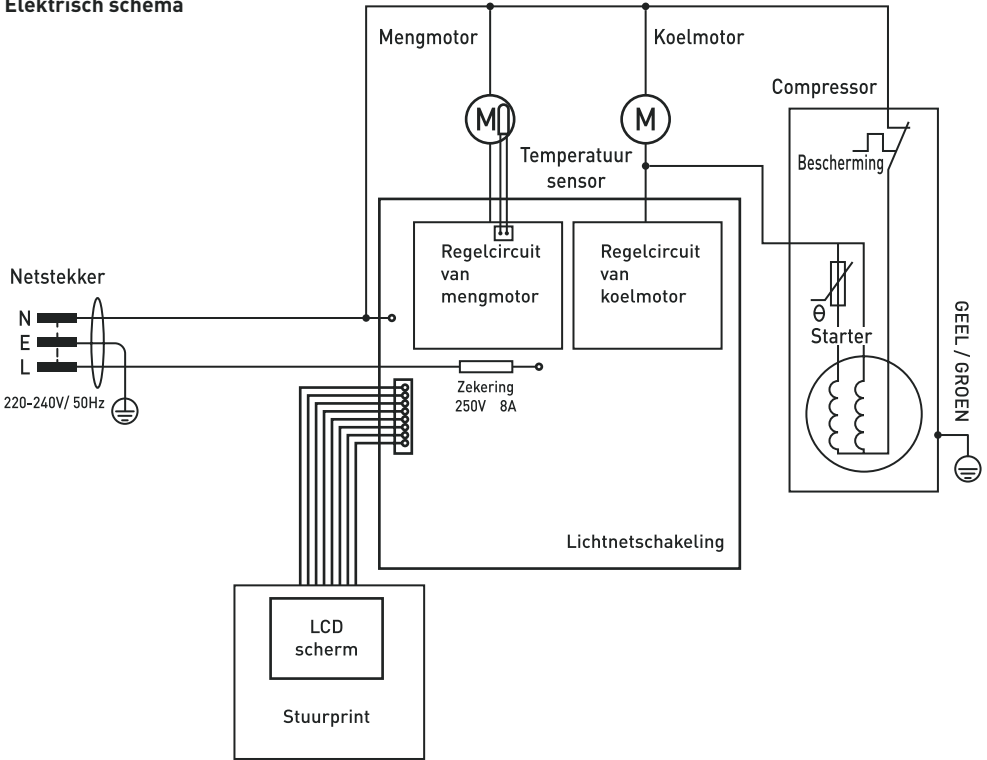
Gebruikt koelmiddel en hoeveelheid: R600a / 32g

Afmetingen: 272x315x(H)362mm

Netto gewicht: 12kg

Opmerking: De technische specificatie zijn onderworpen aan wijzigingen zonder voorafgaande kennisgeving.

Elektrisch schema



Garantie

Elk defect waardoor de werking van het apparaat nadelig wordt beïnvloed dat zich binnen één jaar na aankoop van het apparaat voordoet, wordt gratis hersteld door reparatie of vervanging, mits het apparaat conform de instructies is gebruikt en onderhouden en niet op enigerlei wijze verkeerd is behandeld of misbruikt. Dit laat onverlet uw bij wet bepaalde rechten. Als de garantie van kracht is, vermeld dan waar en wanneer u het apparaat

hebt gekocht en sluit een aankoopbewijs bij (bijv. kassabon of factuur).

Gezien ons streven naar voortdurende verdere productontwikkeling behouden wij ons het recht voor, zonder voorafgaande kennisgeving wijzigingen aan te brengen aan product, verpakking en documentatie.


Verwijdering & milieu

Bij de buitengebruikstelling van het apparaat, mag het niet met het overige huisafval worden verwijderd. In plaats daarvan is het uw verantwoordelijkheid om uw afgedankte apparatuur in te leveren bij een daartoe aangewezen inzamelpunt. Het niet opvolgen van deze regel kan worden bestraft in overeenstemming met de geldende voorschriften voor afvalverwerking. De gescheiden inzameling en recycling van uw afgedankte apparatuur ten tijde van buitengebruikstelling helpt bij de instand-

houding van natuurlijke hulpbronnen en waarborgt dat de apparatuur wordt gerecycled op een manier die de volksgezondheid en het milieu beschermt. Voor meer informatie over waar u uw afval kunt inleveren voor recycling kunt u contact opnemen met uw lokale afvalverwerkingsbedrijf. De fabrikant en importeurs nemen geen verantwoordelijkheid voor de recycling, behandeling en ecologische verwijdering, hetzij rechtstreeks of via een openbaar systeem.

Dziękujemy za zakup urządzenia firmy Hendi. Prosimy o uważne zapoznanie się z niniejszą instrukcją przed podłączeniem urządzenia, aby uniknąć uszkodzeń spowodowanych niewłaściwą obsługą. Należy zwrócić szczególną uwagę na zasady bezpieczeństwa.

Zasady bezpieczeństwa

- Nieprawidłowa obsługa i niewłaściwe użytkowanie mogą spowodować poważne uszkodzenie urządzenia lub zranienie osób.
- Urządzenie przeznaczone do bufetu oraz do użytku domowego.
- Urządzenie należy stosować wyłącznie zgodnie z przeznaczeniem. Producent nie ponosi żadnej odpowiedzialności za szkody spowodowane nieprawidłową obsługą i niewłaściwym użytkowaniem urządzenia.
- W czasie użytkowania zabezpiecz urządzenie i wtyczkę kabla zasilającego przed kontaktem z wodą lub innymi płynami. W mało prawdopodobnym przypadku zanurzenia urządzenia w wodzie, należy natychmiast wyciągnąć wtyczkę z kontaktu, a następnie zlecić kontrolę urządzenia specjalście. Nieprzestrzeganie tej instrukcji może spowodować zagrożenie życia.
- Nigdy nie otwieraj samodzielnie obudowy urządzenia.
- Nie wtykaj żadnych przedmiotów w obudowę urządzenia.
- Nie dotykaj wtyczki kabla zasilającego wilgotnymi rękami.
-  **Niebezpieczeństwo porażenia prądem!** Nie należy samodzielnie naprawiać urządzenia. Wszelkie usterki i niesprawności winny być usuwane wyłącznie przez wykwalifikowanego personel.
- **Nigdy nie używać uszkodzonego urządzenia!** Uszkodzone urządzenie należy odłączyć od sieci i skontaktować się ze sprzedawcą.
- **Ostrzeżenie:** Nie zanurzać części elektrycznych urządzenia w wodzie ani w innych płynach. Nie wkładać urządzenia pod bieżącą wodę.
- Regularnie sprawdzać wtyczkę i sznur zasilający pod kątem uszkodzeń. Uszkodzoną wtyczkę lub sznur przekazać w celu naprawy do punktu serwisowego lub innej wykwalifikowanej osoby, aby zapobiec ewentualnym zagrożeniom i obrażeniom ciała.
- Upewnić się, czy sznur zasilający nie styka się z ostrymi ani gorącymi przedmiotami; trzymać sznur z dala od otwartego płomienia. Aby wyjąć wtyczkę z gniazdka, zawsze ciągnąć za wtyczkę, a nie za sznur.
- Zabezpieczyć sznur zasilający (lub przedłużający) przez przypadkowym wyciągnięciem z kontaktu. Sznur prowadzić w sposób uniemożliwiający przypadkowe potknięcie.
- Stałe nadzorować urządzenie podczas użytkowania.
- **Ostrzeżenie!** Jeżeli wtyczka jest włożona do gniazdka, urządzenie należy uważać za podłączone do zasilania.
- Przed wyjęciem wtyczki z gniazdka wyłączyć urządzenie!
- Nigdy nie przenosić urządzenia, trzymając za sznur.
- Nie używać żadnych akcesoriów, które nie zostały dostarczone wraz z urządzeniem.

- Urządzenie należy podłączać wyłącznie do gniazdka o napięciu i częstotliwości podanych na tabliczce znamionowej.
- Włożyć wtyczkę do gniazdka zlokalizowanego w dogodnym łatwo dostępnym miejscu, tak by w przypadku awarii istniała możliwość natychmiastowego odłączenia urządzenia. W celu całkowitego wyłączenia urządzenia odłączyć je od źródła zasilania. W tym celu wyjąć z gniazdka wtyczkę znajdującą się na końcu sznura odłączanego urządzenia.
- Przed odłączeniem wtyczki zawsze pamiętać o wyłączeniu urządzenia!
- Nie korzystać z akcesoriów niezalecanych przez producenta. Zastosowanie niezalecanych akcesoriów może stwarzać zagrożenie dla użytkownika oraz prowadzić do uszkodzenia urządzenia. Korzystać wyłącznie z oryginalnych części i akcesoriów.
- Z urządzenia nie mogą korzystać osoby (także dzieci), u których stwierdzono osłabione zdolności fizyczne, sensoryczne lub umysłowe, albo którym brakuje odpowiedniej wiedzy i doświadczenia.
- W żadnym wypadku nie zezwalać na obsługę urządzenia przez dzieci.
- Urządzenie wraz ze sznurem przechowywać poza zasięgiem dzieci.
- Nie dopuścić, by dzieci wykorzystywały urządzenie do zabawy.
- Zawsze odłączyć urządzenie od zasilania, jeżeli ma być ono pozostawione bez nadzoru, a także przed montażem, demontażem i czyszczeniem.
- Nie zostawiać urządzenia bez nadzoru podczas użytkowania.

Specjalne przepisy bezpieczeństwa

- Urządzenie służy wyłącznie do wyrobu lodów, sorbetów i mrożonych jogurtów. Jakiegolwiek inne użycie może skutkować uszkodzeniem urządzenia lub obrażeniami ciała.
- Urządzenia należy używać zgodnie z instrukcją.
- Urządzenie powinno być obsługiwane przez przeszkolony personel w kuchni restauracji, stołówki, baru itd.



Ostrzeżenie! Gorąca powierzchnia! Podczas używania powierzchnia urządzenia jest gorąca. Należy dotykać wyłącznie panelu sterowania.



Uwaga! Niebezpieczeństwo powstania ognia! W urządzeniu wykorzystany jest czynnik chłodniczy R600a. Jest to przyjazny dla środowiska łatwopalny czynnik chłodniczy. Podczas transportu i ustawiania urządzenia należy zachować szczególną ostrożność, by nie uszkodzić żadnych części systemu chłodniczego. Wyciekający czynnik chłodniczy może prowadzić do uszkodzenia oczu.

- W tym urządzeniu zastosowano porofor piankowy C₅H₁₀. Jest wysoce łatwopalny.
- Nie umieszczać urządzenia na urządzeniu grzewczym (kuchence gazowej, elektrycznej, węglowej itd.). Trzymać urządzenie z dala od gorących powierzchni i otwartego ognia. Zawsze używać urządzenia na równej, stabilnej, czystej, odpornej na wysoką temperaturę i suchej powierzchni.

- Nie należy obsługiwać urządzenia za pomocą zewnętrznego czasomierza ani oddzielnego systemu zdalnego sterowania.
- Podczas działania urządzenia nie wkładać rąk ani przyborów kuchennych do pojemnika na lody. Dotknięcie miesządkła może skutkować obrażeniami rąk i palców lub uszkodzeniem urządzenia.
- Nigdy nie wyjmować miesządkła podczas działania urządzenia.
- **OSTRZEŻENIE:** Wszystkie otwory wentylacyjne na obudowie urządzenia muszą być odstonięte.
- **OSTRZEŻENIE:** Nie używać urządzeń mechanicznych ani innych sposobów przyspieszania procesu rozmrażania, które nie są zalecane przez producenta.
- **OSTRZEŻENIE:** Nie uszkadzać obiegu czynnika chłodniczego.
- Nie przechowywać substancji wybuchowych, takich jak puszki z aerozolem, w pobliżu łatwopalnego materiału napędowego znajdującego się w urządzeniu.
- Podczas działania urządzenia nie nosić luźnych części garderoby, takich jak szale itd., oraz upinać długie włosy.
- Wokół urządzenia powinno znajdować się przynajmniej 10 cm wolnej przestrzeni w celu wentylacji.
- Nie uderzać twardymi narzędziami w zewnętrzną powierzchnię urządzenia. Nie używać strumienia wody i nie słuکیwać bezpośrednio wodą ani myjką parową, ponieważ może dojść do zamoczenia części i porażenia prądem.
- Nie wystawiać urządzenia na bezpośrednie działanie promieni słonecznych. Unikać wstrząsów mechanicznych i wibracji.
- **Ostrzeżenie!** W razie potrzeby bezpiecznie utożyć przewód zasilający, aby uniknąć przypadkowego pociągnięcia lub kontaktu z powierzchnią grzewczą.
- Przed czyszczeniem lub umieszczeniem w miejscu przechowywania należy odczekać, aż urządzenie ostygnie.
- Części urządzenia nie nadają się do mycia w zmywarce.
- Urządzenie jest przeznaczone do użytku domowego i podobnych zastosowań, takich jak:
 - 1) kuchnia dla personelu sklepu, biuro oraz inne środowiska robocze;
 - 2) gospodarstwa agroturystyczne, obszary samoobsługowe w hotelach, motelach i innych obszarach mieszkalnych;
 - 3) miejsca oferujące zakwaterowanie ze śniadaniem;
 - 4) catering i inne zastosowania niezwiązane z handlem detalicznym.
- Części urządzenia nie nadają się do mycia w zmywarce.

PRZEZNACZENIE

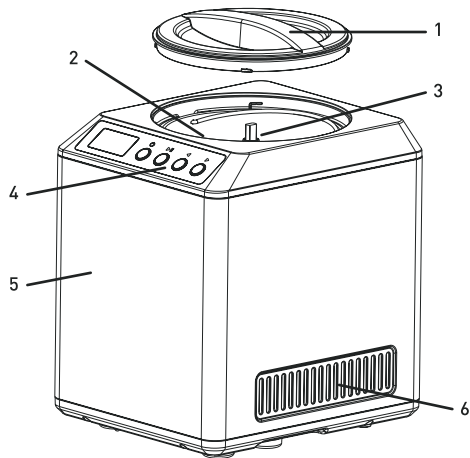
- Urządzenie przeznaczone do bufetu oraz do użytku domowego.
- Urządzenie służy wyłącznie do wyrobu lodów, sorbetów i mrożonych jogurtów. Użycie urządzenia w jakimkolwiek innym celu może prowadzić do jego uszkodzenia lub do obrażeń ciała.
- Wykorzystanie urządzenia w jakimkolwiek innym celu uznane będzie za wykorzystanie niezgodne z przeznaczeniem. Użytkownik będzie wyłącznie odpowiedzialny za nieprawidłowe wykorzystanie urządzenia.

Montaż uziemienia

Mikser jest urządzeniem I klasy ochronności i wymaga uziemienia. Uziemienie zmniejsza ryzyko porażenia prądem, dzięki zastosowaniu przewodu odprowadzającego prąd elektryczny. Urządzenie

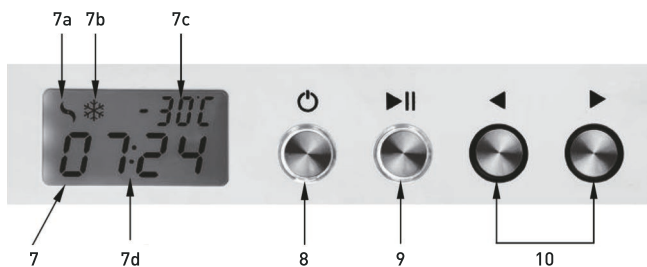
wyposażone jest w przewód z uziemieniem w wtykiem uziemiającym. Wtyczka musi zostać podłączona do gniazdka sieciowego, które zostało odpowiednio zamontowane i uziemione.

Główne części urządzenia



1. Przezroczysta pokrywa
2. Wyjmowany pojemnik na lody
3. Mieszadło
4. Panel sterowania
5. Obudowa
6. Otwory wentylacyjne

Panel sterowania z podstawowymi funkcjami



7. Cyfrowy wyświetlacz: podczas działania zawiera następujące komunikaty:

7a.- Działa silnik do obracania mieszadła

7b.- Chłodzenie

7c.- Temperatura na spodzie wyjmowanego pojemnika (Zakres: -10°C $--35^{\circ}\text{C}$)

7d.- Czasomierz (Domyślnie: 90 minut). Pozostały czas wyrobu lodów

8. Przycisk stanu czuwania/wyłączenia: Naciśnij, aby włączyć stan czuwania lub wyłączyć urządzenie

9. Przycisk uruchamiania/wstrzymywania: Naciśnij, aby uruchomić wyrób lodów. Naciśnij ponownie, aby wstrzymać proces.

10. Przycisk ustawiania czasu

◀ : skracanie czasu działania

▶ : wydłużanie czasu działania

Przygotowanie przed pierwszym użyciem

- Zdejmij opakowanie zabezpieczające.
- Sprawdź, czy urządzenie nie jest uszkodzone i nie brakuje żadnych akcesoriów (np. plastikowej łyżki, mieszadła, pojemnika na lody, miarki). W przypadku niekompletnego lub uszkodzonego urządzenia skontaktuj się z dostawcą (Patrz ==> Gwarancja).
- Wyczyść urządzenie przed użyciem (Patrz ==> Czyszczenie i konserwacja).

- Upewnij się, że urządzenie jest całkowicie suche.
- Umieść urządzenie na płaskiej, stabilnej i odpornej na wysoką temperaturę powierzchni z dala od przyskającej wody.
- Upewnij się, że urządzenie ma zapewniony odpowiedni dopływ powietrza. Wokół urządzenia powinno znajdować się przynajmniej 10 cm wolnej przestrzeni.

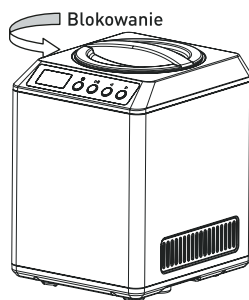
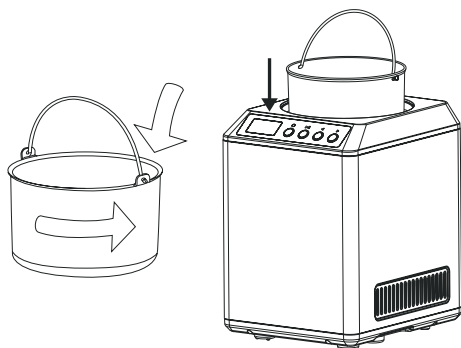
Działanie

Ostrzeżenie: Upewnij się, że urządzenie jest odłączone od źródła energii elektrycznej.

Przygotowanie składników do lodów

- Najpierw przygotuj wszystkie składniki do lodów zgodnie z przepisem.
- Włóż wymiowany pojemnik do urządzenia.

- Załóż i zablokuj przezroczystą pokrywę (1), obracając ją w lewo. Zwróć uwagę na oznaczenie na zewnątrz pokrywy (1).



- Zamontuj mieszadło na środku wymiowanego pojemnika.
- Umieść przygotowane składniki w pojemniku na lody (2). Składniki powinny być dobrze schłodzone (około 10°C). Nie wkładaj ciepłych ani gorących składników.

Uwaga: Aby podczas działania urządzenia nadmiar śmietany nie wydostawał się z pojemnika na lody, pojemnik należy wypełniać maksymalnie w 60%. W procesie wyrobu lodów ich objętość będzie się powiększać i wypełnią cały pojemnik.

- Podłącz wtyczkę do dostosowanego gniazdka elektrycznego. Usłyszysz krótki sygnał dźwiękowy.
- Naciśnij przycisk STANU CZUWANIA/WYŁĄCZANIA, aby przejść do TRYBU CZUWANIA (8).

Wyrób lodów

- Naciśnij przycisk [10], aby ustawić czas. (Zakres czasu: 5–90 minut).

Uwaga: Jeśli nie naciśniesz przycisku, ustawiony zostanie domyślny czas wynoszący 90 minut.

- Naciśnij przycisk URUCHAMIANIA/WSTRZYMANIA [9], aby rozpocząć wyrób lodów. Naciśnij ponownie, aby wstrzymać proces.
- Mieszadło zacznie się obracać i rozpocznie się chłodzenie.
- Wskaźniki [7a) i (7b) zaczną migać. Na wyświetlaczu [7) pojawia się temperatura na spodzie pojemnika [7c) oraz pozostały czas [7d).

Dodanie składników

- Podczas wyrobu lodów możesz dodać składniki zgodnie z upodobaniami, np. owoce, kawałki czekolady, rodzynki, orzechy, migdały itd.

Utrzymywanie niskiej temperatury

Funkcja ta umożliwia późniejsze serwowanie lodów.

- Po upływie ustawionego czasu mieszadło zatrzyma się, a silnik przestanie pracować.
- Na wyświetlaczu będzie przez 10 minut migać na przemian 00:00 / COOL (chłodzenie), a wskaźnik temperatury [7d) będzie widoczny przez cały czas.

Zabezpieczenie silnika

- Jeśli lody będą za twarde, silnik zostanie zablokowany i wyrób lodów zostanie przerwany.
- Urządzenie wyłączy się automatycznie, aby zapobiec przegrzaniu silnika.

Wymywanie i serwowanie lodów

- Otwórz pokrywę [1) urządzenia i wyjmij pojemnik na lody [2). Przetóń lody do innego pojemnika lub do pucharków na lody.
Uwaga: Należy używać wyłącznie plastikowej lub drewnianej łyżki (w zestawie), aby nie uszkodzić pojemnika.
- Lody należy przechowywać w odpowiednio zabezpieczonym pojemniku w maksymalnej temperaturze ok. -12°C nie dłużej niż tydzień. Na pojemniku warto odnotować datę produkcji i smak.

- Po upływie ustawionego czasu wskaźniki [7a) i (7b) wyłączą się. Mieszadło zatrzyma się, a silnik przestanie pracować.
- Naciśnij przycisk STANU CZUWANIA/WYŁĄCZANIA [8), aby wyłączyć urządzenie, a następnie wyjmij pojemnik z lodami i delektuj się ich smakiem.
- Jeśli po upływie ustawionego czasu konsystencja lodów nie jest odpowiednia, możesz dodać składniki lub wydłużyć czas, naciskając przycisk WYDŁUŻANIA/SKRACANIA CZASU [10).

- W tym celu otwórz przezroczystą pokrywę [1) i ostrożnie dodaj składniki.
- Po dodaniu składników zamknij pokrywę [2).

- Oznacza to, przejście urządzenia do trybu utrzymywania niskiej temperatury. Funkcja utrzymywania niskiej temperatury działa przez około 2 godziny.
- Po tym czasie urządzenie się automatycznie wyłączy i wyświetlacz zgaśnie.

- Przed ponownym uruchomieniem należy odłączyć urządzenie od prądu i poczekać, aż całkowicie ostygnie.
- Należy wyrzucić lody i ponownie skorzystać z przepisu.

- **Ostrzeżenie!** Lody stanowią dobre środowisko do rozwoju bakterii. Miejsce przechowywania lodów, urządzenia i pojemników powinno być całkowicie czyste i suche. Nigdy nie należy ponownie zamrażać roztopionych lub częściowo rozmrożonych lodów.

Przepisy

1. Lody waniliowe

- Mleko: 250 ml
- Śmietana: 500 ml
- Cukier 110 g
- 1–2 łyżki stołowe ekstraktu z wanilii

2. Lody czekoladowe

- Mleko: 250 ml
- Śmietana: 500 ml
- Cukier 50 g
- 100 g gorzkiej lub półslodkiej czekolady
- 1 łyżka stołowa ekstraktu z wanilii

Uwaga: Są to jedynie przykładowe przepisy.

Czyszczenie i konserwacja

Uwaga: Przed czyszczeniem i umieszczeniem w miejscu przechowywania zawsze należy odłączyć urządzenie od prądu i poczekać, aż całkowicie ostygnie.

Czyszczenie

- Nigdy nie zanurzać urządzenia w wodzie ani innych płynach.
 - Zewnętrzną powierzchnię należy czyścić po ostygnięciu delikatnie zwilżoną ściereczką lub gąbką z roztworem łagodnego mydła.
 - Nigdy nie używać szorstkiej gąbki ani detergentów, druciaka ani metalowych przyrządów do czyszczenia wewnętrznych lub zewnętrznych części urządzenia.
- Uwaga: Części urządzenia nie nadają się do mycia w zmywarce.

Przechowywanie

- Przed umieszczeniem w miejscu przechowywania zawsze należy odłączyć urządzenie od gniazdka i poczekać, aż całkowicie ostygnie.
- Urządzenie należy przechowywać w chłodnym, czystym i suchym miejscu.

Rozwiązywanie problemów

Jeżeli urządzenie nie działa prawidłowo, należy spróbować znaleźć rozwiązanie w poniższej tabeli.

Jeżeli nadal nie można rozwiązać problemu, należy skontaktować się z dostawcą/dostawcą usługi.

Problemy	Możliwa przyczyna	Możliwe rozwiązanie
Urządzenie nie włącza się.	- Wtyczka nie jest prawidłowo podłączona do gniazdka. - Naciśnij przycisk STANU CZUWANIA/WYŁĄCZANIA (1).	- Sprawdź, czy wtyczka jest prawidłowo podłączona. - Naciśnij przycisk STANU CZUWANIA/WYŁĄCZANIA (1).
Mieszadło przestaje się obracać.	- Lody są za twarde i urządzenie zostaje zatrzymane, aby zapobiec przegrzaniu.	- Przed ponownym uruchomieniem należy odłączyć urządzenie od prądu i poczekać, aż całkowicie ostygnie. - Należy wyrzucić składniki i ponownie skorzystać z przepisu.

Specyfikacja techniczna

Nr artykułu: 274231

Napięcie robocze i częstotliwość: 220- 240V~ 50Hz

Moc znamionowa: 180W

Pojemność pojemnika: ok. 2,0L

Pojemność na wyrób lodów: ok. 1,3L

Zakres temperatury: - 10°C ~ - 35°C

Ustawienie czasomierza: 5 ~ 90 min

(Mieszadło obraca się aż do końca wyznaczonego czasu pracy. Gdy mieszadło zostanie zablokowane przez lód, silnik zatrzyma się automatycznie, aby zapobiec uszkodzeniu.)

Klasa ochronności: klasa I

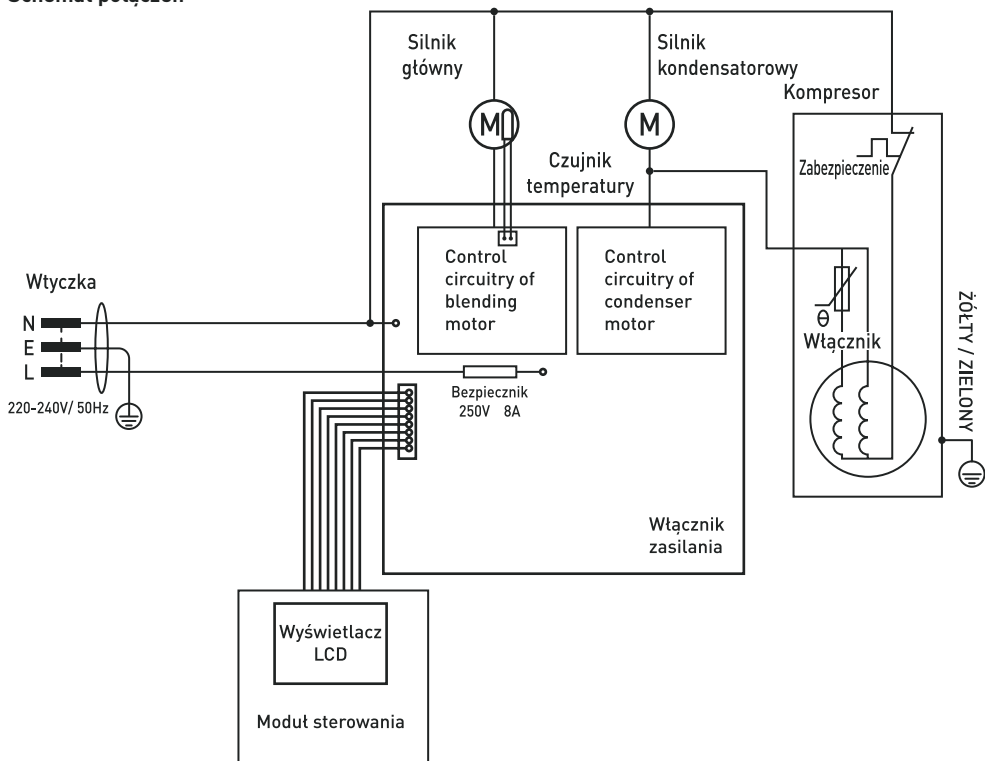
Używany czynnik chłodniczy i jego ilość: R600a / 32g

Wymiary: 272x315x(wys.)362mm

Masa netto: 12kg

Uwaga: Specyfikacja techniczna może zostać zmieniona bez powiadomienia

Schemat połączeń



Gwarancja

Każda usterka powodująca złe funkcjonowanie urządzenia, która ujawni się w ciągu jednego roku od zakupu, zostanie bezpłatnie usunięta lub urządzenie zostanie wymienione na inne, pod warunkiem, że było użytkowane i konserwowane zgodnie z instrukcją obsługi i nie było wykorzystywane do innych celów lub w jakikolwiek inny niewłaściwy sposób. Nie narusza to innych praw użytkownika, wynikających z przepisów prawa. W przypadku ko-

rzystania z gwarancji, należy podać miejsce i czas zakupu urządzenia, dotychczas do niego dowód zakupu [np. paragon].

Zgodnie z naszą polityką ciągłego udoskonalania produktów zastrzegamy sobie prawo do wprowadzania zmian w produkcie, opakowaniu oraz specyfikacjach zawartych w dokumentacji bez uprzedniego powiadomienia.

Wycofanie z użytkowania i ochrona środowiska

Pamiętaj!

Nie wyrzucaj zużytego sprzętu łącznie z innymi odpadami

Nie demontuj zużytych urządzeń zawierających niebezpieczne składniki na własną rękę!

Grożą Ci za to kary grzywny!

Po zakończeniu eksploatacji produktu nie wolno gromadzić razem z odpadami komunalnymi, tylko należy odstawić do punktu odbioru odpadów elektrycznych i elektronicznych. Użytkownik ponosi odpowiedzialność za przekazanie wycofanego z użytkowania urządzenia do punktu gospodarowania odpadami. Nieprzestrzeganie tej zasady może być karane zgodnie z lokalnie obowiązującymi przepisami dotyczącymi gospodarowania odpadami. Jeśli urządzenie wycofane z użytkowania jest poprawnie odebrane jako osobny odpad, może zostać przetworzone i zutyliczowane w sposób przyjazny dla środowiska, co zmniejsza negatywny wpływ na środowisko i zdrowie ludzi. Aby uzyskać więcej informacji dotyczących dostępnych usług w zakresie odbioru odpadów, należy skontaktować się z lokalną firmą odbierającą odpady.



Symbol przekreślonego kosza na śmieci oznacza, że tego produktu nie wolno wyrzucać do zwykłych pojemników na odpady.

Zużyte urządzenia elektryczne i elektroniczne mogą zawierać niebezpieczne składniki np. rtęć, ołów, kadm lub freon. Jeśli tego typu substancje przedostaną się w sposób niekontrolowany do środowiska, spowodują skażenie wody i gleby, a także wptyną niekorzystnie na zdrowie ludzi i zwierząt.


Właściwe postępowanie ze zużytym sprzętem zapobiega potencjalnym negatywnym konsekwencjom dla środowiska naturalnego i ludzkiego zdrowia.

Jednocześnie oszczędzamy naturalne zasoby naszej Ziemi wykorzystując powtórnie surowce uzyskane z przetwarzania sprzętu.

Cher client,

Merci d'avoir acheté cet appareil de Hendi. Veuillez lire attentivement ce mode d'emploi avant de brancher l'appareil afin d'éviter tout endommagement pour cause d'usage abusif. Veuillez notamment lire les consignes de sécurité avec la plus grande attention.

Règles de sécurité

- L'utilisation abusive et le maniement incorrect de l'appareil peuvent entraîner une grave détérioration de l'appareil ou provoquer des blessures.
- Cet appareil est destiné pour des buffets et à un usage domestique.
- L'appareil doit être utilisé uniquement pour le but il a été conçu. Le fabricant décline toute responsabilité en cas de dommage consécutif à un usage abusif ou un maniement incorrect.
- Veillez à tenir l'appareil et la prise électrique hors de portée de l'eau ou de tout autre liquide. Si malencontreusement l'appareil tombe dans l'eau, débranchez immédiatement la prise électrique et faites contrôler l'appareil par un réparateur agréé. La non-observation de cette consigne entraîne un risque d'accident mortel.
- Ne tentez jamais de démonter vous-même le bâti de l'appareil.
- N'enfoncez aucun objet dans la carcasse de l'appareil.
- Ne touchez pas la prise avec les mains mouillées ou humides.
-  **Risque d'électrocution!** Ne tentez jamais de réparer l'appareil. Tous défauts et dysfonctionnement doivent être supprimés par le personnel qualifié.
- **N'utilisez jamais l'appareil endommagé!** Débranchez l'appareil endommagé de l'alimentation électrique et contactez votre revendeur.
- **Avertissement:** N'immergez pas les pièces électriques de l'appareil dans l'eau ou dans d'autres liquides. Ne mettez pas l'appareil sous l'eau courante.
- Vérifiez régulièrement la fiche et le câble d'alimentation pour les dommages. La fiche ou le câble d'alimentation endommagé(e) transmettre pour la réparation au service ou à une personne qualifiée, pour prévenir tous les menaces ou les blessures possibles.
- Assurez-vous que le câble d'alimentation n'est pas en contact avec les objets pointus ou chauds ; gardez le câble loin des flammes nues. Pour retirer la fiche de la prise murale, tirez toujours en tenant la fiche et non le câble d'alimentation.
- Protégez le câble d'alimentation (ou la rallonge) contre le débranchement accidentel de la prise murale. Le câble doit être posé de manière ne provoquant pas les chutes accidentelles.
- Surveillez en permanence l'appareil pendant l'utilisation.
- **Avertissement!** Si la fiche est insérée dans la prise murale, l'appareil doit être considéré comme branché à l'alimentation.
- Avant de retirer la fiche de la prise, éteignez l'appareil !
- Ne transportez jamais l'appareil en tenant le câble.
- N'utilisez aucuns accessoires qui n'ont pas été fournis avec l'appareil.
- L'appareil doit être branché à la prise murale avec une tension et la fréquence indiquées sur la plaque signalétique.

FR

- Insérez la fiche à la prise murale située dans un endroit facilement accessible de sorte qu'en cas de panne l'appareil puisse être immédiatement déconnecté. Pour éteindre complètement l'appareil, débranchez-le de la source d'alimentation. Pour cela, retirez la fiche à l'extrémité du câble d'alimentation de la prise murale.
- Éteignez l'appareil avant de débrancher l'appareil de la prise!
- N'utilisez jamais les accessoires non recommandés par le fabricant. L'utilisation des accessoires non recommandés peut présenter des risques pour l'utilisateur et provoquer les dommages à l'appareil. Utilisez uniquement des pièces et accessoires originaux.
- Cet appareil n'est pas apte à être utilisé par des personnes (enfants compris) avec capacités physiques, sensorielles ou intellectuelles diminuées ou ne possédant pas l'expérience et les connaissances suffisantes.
- Ne laissez jamais les enfants utiliser l'appareil.
- L'appareil et le câble d'alimentation doivent être stockés hors de la portée des enfants.
- Ne permettez pas aux enfants d'utiliser l'appareil pour jouer
- Débranchez toujours l'appareil de l'alimentation s'il doit être laissé sans surveillance et également avant le montage, le démontage et le nettoyage.
- Ne laissez jamais l'appareil sans surveillance lorsqu'il est utilisé.

Règlementations spéciales de sécurité

- Cet appareil ne sert qu'à faire de la glace, des sorbets et des yaourts glacés. Toute autre utilisation endommagera l'appareil ou pourra blesser l'utilisateur.
- Utiliser l'appareil uniquement selon les instructions dans le présent manuel.
- Cet appareil ne doit être mis en marche que par un personnel formé dans la cuisine d'un restaurant, d'une cantine ou d'un bar, etc.



Attention! Surface chaude! La surface est chaude lorsque l'appareil fonctionne. Touchez uniquement le panneau de contrôle.



Attention ! Risque d'incendie ! Dans l'appareil est utilisé le réfrigérant R600a. C'est un réfrigérant inflammable respectueux de l'environnement. Pendant le transport et l'installation de l'appareil, il faut garder des précautions particulières pour ne pas endommager les pièces du système de réfrigération. La fuite du réfrigérant peut causer les lésions oculaires.

- L'agent d'expansion de mousse utilisé dans cet appareil est le C₅H₁₀. Il est hautement inflammable.
- Ne pas placer cet appareil sur un objet chauffant (cuisinière au pétrole, électrique ou charbon de bois, etc.). Tenir cet appareil éloigné de toutes surfaces chaudes et flammes nues. Toujours se servir de cet appareil sur une surface plane, stable, propre, résistante à la chaleur et sèche.
- Cet appareil n'est pas destiné à fonctionner avec une minuterie ou un système séparé de contrôle à distance.

- Pendant le fonctionnement, ne jamais mettre les mains ou un ustensile de cuisine dans le conteneur de glace. Toucher la pale causera des blessures à la main ou au doigt ou endommagera l'appareil.
- Ne jamais retirer la pale lorsque l'appareil est en fonctionnement.
- **AVERTISSEMENT:** Ne boucher aucune des ouvertures de ventilation autour de l'appareil.
- **AVERTISSEMENT:** Ne pas utiliser de systèmes mécaniques ou autres moyens pour accélérer le processus de décongélation, hormis ceux recommandés par le fabricant.
- **AVERTISSEMENT:** Ne pas endommager le circuit réfrigérant.
- Ne pas stocker de substances explosives telles des bombes aérosols avec un gaz propulseur inflammable dans cet appareil.
- Ne pas porter d'accessoire vestimentaire comme un foulard, etc. et les cheveux longs doivent être attachés lorsque l'appareil fonctionne.
- Laisser au moins 10 cm d'espace autour de l'appareil pour la ventilation. Durant son utilisation.
- Ne pas utiliser d'ustensiles durs pour frapper la surface externe. Ne pas utiliser de jet d'eau, rincer directement à l'eau ou avec un nettoyeur vapeur puisque les pièces seront mouillées et il y a donc un risque d'électrocution.
- Ne pas exposer l'appareil aux rayons directs du soleil. Éviter les chocs mécaniques et les vibrations.
- **Attention!** Mettre le cordon électrique en sécurité si nécessaire pour prévenir qu'on ne tire dessus malencontreusement ou qu'il entre en contact avec une surface chauffante.
- Ne pas nettoyer ou ranger l'appareil avant complet refroidissement.
- Aucune des pièces ne doit être mise au lave-vaisselle.
- Cet appareil peut être utilisé à domicile et dans d'autres endroits similaires comme
 - 1) Un coin cuisine réservé au personnel dans un magasin, un bureau et autre lieu de travail;
 - 2) Fermes et par les clients dans un hôtel, un motel et autre lieu de résidence;
 - 3) Les chambres d'hôtes;
 - 4) Dans la restauration et autres lieux similaires qui ne sont pas de la vente au détail.
- Aucune des pièces ne doit être mise au lave-vaisselle.

Destination de l'appareil

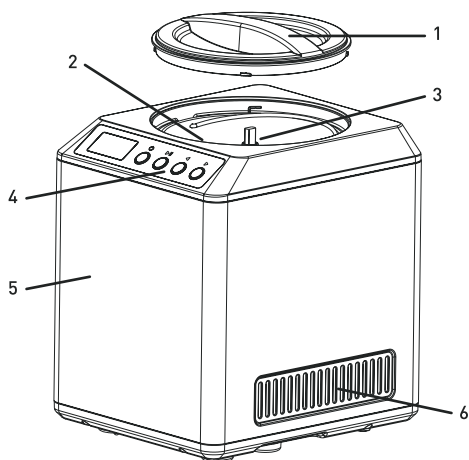
- Cet appareil est destiné pour des buffets et à un usage domestique.
- Cet appareil ne sert qu'à faire de la glace, des sorbets et des yaourts glacés. L'utilisation de l'appareil à d'autres fins peut entraîner des dommages ou des blessures.
- L'utilisation de l'appareil à d'autres fins sera considérée comme une utilisation inappropriée. L'utilisateur sera seul responsable de l'utilisation incorrecte de l'appareil.

Mise à la terre

Le batteur mélangeur est un appareil de la 1ère classe de protection et doit être obligatoirement mis à la terre. La mise à la terre réduit le risque de choc électrique grâce à un conduit évacuant

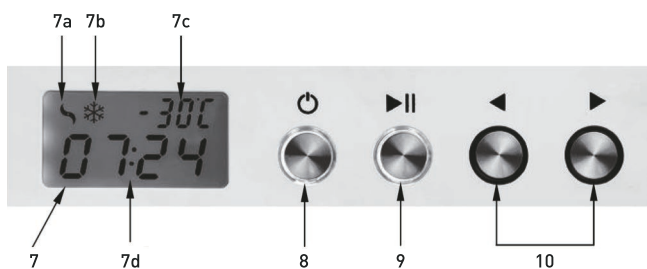
le courant électrique. L'appareil est équipé d'un conduit avec la mise à la terre et la prise de terre. N'insérez pas la fiche à la prise murale si l'appareil n'a pas été correctement installé et mis à la terre.

Aperçu des principales pièces de l'appareil



1. Couvercle transparent
2. Conteneur à glace amovible
3. Pale
4. Panneau de contrôle
5. Rangement
6. Ouvertures de ventilation

Panneau de contrôle pour les fonctions principales



7. Affichage digital : affichera les messages suivants durant le fonctionnement :

7a.- Le moteur fonctionne pour la rotation de la pale

7b.- Opération de refroidissement

7c.- Température au fond du conteneur amovible (de : -10°C ~-35°C)

7d.- Minuterie (Par défaut : 90 minutes). Temps restant durant la fabrication de la glace

8. VEILLE/OFF touche : Appuyer pour faire passer l'appareil en mode VEILLE ou OFF

9. DEMARRER/PAUSE touche : Appuyer pour commencer la fabrication de la glace. Appuyer à nouveau pour pause.

10. Touches de réglage de la durée

◀ : réduire la durée de l'opération

▶ : augmenter la durée de l'opération

Préparations avant la première utilisation

- Retirer tout emballage de protection.
- Vérifier le bon état de l'appareil et de tous ses accessoires (ex. cuiller en plastique, pale, conteneur à glace, mesure). Si l'appareil ne comprend pas toutes les pièces et s'il est endommagé, Veuillez contacter le fournisseur (Voir ==> Garantie).
- Nettoyer l'appareil avant utilisation (Voir ==> Nettoyage et entretien).

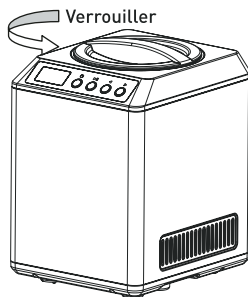
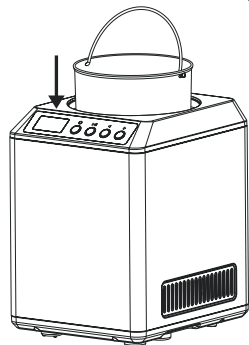
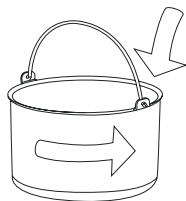
- S'assurer que l'appareil est bien sec.
- Placer l'appareil sur une surface horizontale, stable et qui résiste à la chaleur, et qui ne saurait être éclaboussé par l'eau.
- S'assurer que la ventilation est suffisante. Garder au moins 10 cm autour de l'appareil.

Fonctionnement

Avertissement: S'assurer que l'appareil n'est pas relié à l'alimentation électrique.

Préparation pour les ingrédients de la fabrication de la glace

- Tout d'abord, préparer tous les ingrédients pour faire la glace conformément à la recette recommandée.
- Ensuite, placer le conteneur amovible dans l'appareil.
- Maintenant, placer le couvercle transparent (1) et le verrouiller en le tournant dans le sens contraire des aiguilles d'une montre. Noter la marque à l'extérieur du couvercle (1).



- Puis, placer la pale au centre du conteneur amovible.
- Après cela, remplir le conteneur à glace (2) avec les ingrédients préparés. Les ingrédients doivent être bien refroidis avant (à environ 10°C). Jamais chauds ou très chauds.

Noter: Pour éviter tout débordement du conteneur à glace lors du fonctionnement, remplir le conteneur à glace jusqu'à 60 % de sa contenance totale. La quantité de glace augmente durant le fonctionnement et remplit tout le conteneur.

- Relier la fiche à une alimentation électrique adaptée et unique. L'appareil émettra un bip sonore bref.
- Passer en mode VEILLE en appuyant sur la touche VEILLE/OFF (8).

Opération de fabrication de la glace

- Régler la durée souhaitée en appuyant sur la touche durée (10). (Choix de durée : 5 ~ 90 minutes)
Note : L'appareil fonctionnera par défaut pendant 90 minutes si aucune touche n'a été choisie.
- Ensuite, appuyer sur la touche DEMARRER/PAUSE (9) pour commencer la fabrication de la glace. Appuyer à nouveau pour Pause.
- La pale se met à tourner et l'opération de refroidissement est enclenchée pour la fabrication de la glace.
- Les indicateurs (7a) et (7b) clignoteront. La température au fond du conteneur (7c) et le temps restant (7d) s'afficheront sur l'écran (7).
- Lorsque la durée sélectionnée est atteinte, les indicateurs (7a) et (7b) s'éteindront. La pale cessera de tourner & le moteur cessera de fonctionner.
- Appuyer sur VEILLE/OFF (8) pour éteindre l'appareil et le débrancher, sortir le conteneur à glace et déguster.
- Si la consistance de la glace n'est pas bonne après la durée sélectionnée, on peut allonger la durée de fonctionnement en appuyant sur la touche augmenter/réduire la durée (10) ou ajouter certains ingrédients.

Addition d'ingrédients supplémentaires

- Durant le processus de fabrication de la glace, on peut ajouter des ingrédients supplémentaires selon votre gout particulier, comme des fruits, des copeaux de chocolat, des raisins secs, des noix, des amandes, etc.
- Pour ce faire, il suffit d'ouvrir le couvercle transparent (1) et faire preuve de prudence en ajoutant les ingrédients.
- Fermer le couvercle (2) après avoir ajouté les ingrédients.

Ne pas couper la fonction refroidissement

Cette fonction permet à l'utilisateur de ne pas servir la glace immédiatement.

- Lorsque la durée sélectionnée est atteinte, la pale s'arrêtera de tourner et le moteur s'arrêtera de fonctionner.
- L'affichage clignotera sur 00:00 / FROID pendant environ 10 minutes chacun alternativement et l'indicateur de température (7d) s'affichera en continu.
- Cela signifie que l'appareil entre le mode "conserver au froid". Cette fonction "Conserver au froid" durera 2 heures.
- Au bout des 2 heures, l'appareil s'éteindra OFF automatiquement et l'affichage sera éteint.

Protection du moteur

- Si la glace est trop dure, le moteur ne pourra plus tourner et le processus de fabrication de la glace sera interrompu.
- L'appareil s'éteindra automatiquement afin d'éviter toute surchauffe du moteur.
- Débrancher l'appareil et laisser refroidir complètement avant de le relancer.
- Vérifier à nouveau la recette et jeter la préparation puisque les ingrédients ne sont pas bons et peuvent tourner.

Sortir et servir la glace

- Ouvrir le couvercle (1) de l'appareil et sortir le conteneur à glace (2) de l'appareil. Mettre la glace dans un conteneur approprié ou des coupes à glace.
Note: N'utiliser que des cuillers plastiques ou en bois (incluses) pour éviter d'endommager le conteneur à glace.
- Stocker la glace dans un conteneur fermé de manière appropriée à une température maximale d'environ -12°C pendant une durée maximum d'une semaine. Indiquer sur le conteneur la date de fabrication et le parfum.
- **Attention!** La glace est un environnement idéal pour la culture de bactéries. Conserver la glace, l'appareil et les conteneurs pour stocker la glace absolument propres et secs. Ne jamais recongeler une glace fondue ou partiellement décongelée.

Suggestions de recettes

1. Glace vanille
 - Lait : 250 ml
 - Crème : 500 ml
 - Sucre 110 g
 - 1 ~ 2 cuillerées à café d'extrait de vanille
2. Glace au chocolat
 - Lait : 250 ml
 - Crème : 500 ml
 - Sucre 50 g
 - 100 g de chocolat amer ou mi-sucré (selon vos préférences)
 - 1 cuiller à café d'extrait de vanille

Remarque : Veuillez noter que ces recettes ne sont données qu'à titre de référence.

Nettoyage et Entretien

Attention: Toujours débrancher l'appareil de l'arrivée du courant et laisser refroidir complètement avant de le nettoyer et de le ranger.

Nettoyage

- Ne jamais plonger l'appareil dans l'eau ou tout autre liquide.
 - Nettoyer la surface externe de l'appareil refroidi avec un tissu légèrement humide ou une éponge avec une solution savonneuse douce.
 - Ne jamais utiliser d'éponges abrasives ou de détergents, de laine d'acier ou d'ustensiles métalliques pour nettoyer l'intérieur ou l'extérieur de l'appareil.
- Note: Aucune des pièces ne doit être mise au lave-vaisselle.

Stockage

- Avant stockage, toujours s'assurer que l'appareil ait été correctement débranché de la prise et ait refroidi complètement.
- Ranger l'appareil dans un endroit frais, propre et sec.

Résolution de problèmes

Si l'appareil ne fonctionne pas correctement, veuillez vérifier le tableau ci-dessous pour trouver la solution. Si vous n'arrivez toujours pas à résoudre

le problème, veuillez contacter le fournisseur/fournisseur de service.

Problèmes	Cause possible	Solution possible
L'appareil ne s'allume pas.	- L'appareil n'est pas branché correctement dans la prise. - Appuyer sur la touche (1) veille/OFF .	- Vérifier la prise pour s'assurer que l'appareil est bien banché. - Appuyer sur la touche (1) veille/OFF.
La pale cesse de tourner	- La glace est trop dure et l'appareil s'arrête pour éviter toute surchauffe.	- Débrancher l'appareil et laisser refroidir totalement avant de relancer. - Jeter les ingrédients et vérifier à nouveau la recette.

FR

Spécification technique

N° de l'article: 274231

Tension et fréquence: 220- 240V- 50Hz

Puissance d'entrée minimale: 180W

Capacité du conteneur: environ 2,0L

Capacité de production de glace : environ 1,3L

Echelle de températures: - 10°C ~ - 35°C

Réglage de la minuterie: 5 ~ 90 mins

(Le mélangeur continue à tourner jusqu'à l'arrêt du minuteur. Afin d'éviter des dommages, le moteur s'arrête automatiquement, quand le mélangeur se fait bloquer par la glace.)

Classe de protection: classe I

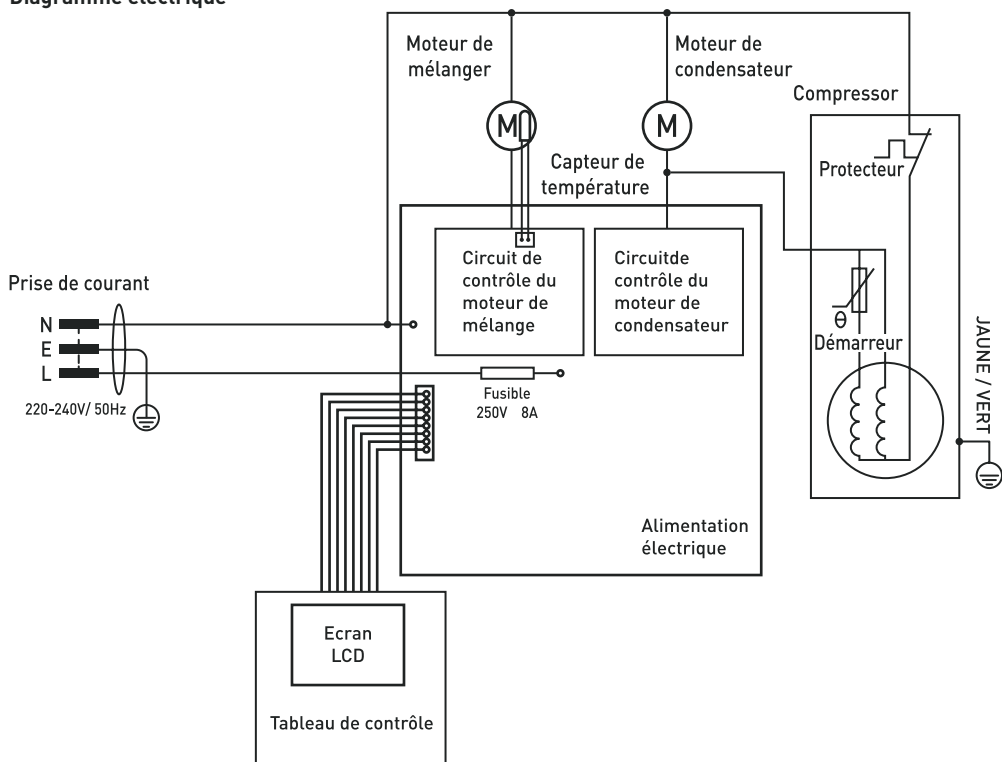
Refrigerant used and quantity: R600a / 32g

Dimension: 272x315x(H)362mm

Poids net: 12kg

Remarque : La spécification technique peut être modifiée sans notification préalable.

Diagramme électrique



Garantie

Tout vice ou toute défaillance entraînant un dysfonctionnement de l'appareil qui se déclare dans les 12 mois suivant la date de l'achat sera éliminé à titre gratuit ou l'appareil sera remplacé par un appareil nouveau si le premier a été dûment exploité et entretenu conformément aux termes de la notice d'exploitation et s'il n'a pas été indûment exploité ou de manière non conforme à sa destination. La présente stipulation ne porte pas de préjudice aux autres droits de l'utilisateur prévus par les dispositions légales. Dans le cas où l'appareil est donné à la réparation ou doit être remplacé

dans le cadre de la garantie, il y a lieu de spécifier le lieu et la date de l'achat de l'appareil et produire un justificatif nécessaire (par ex. facture ou ticket de caisse).

Conformément à notre politique d'amélioration permanente de nos produits, nous nous réservons le droit d'introduire sans avertissement préalable des modifications à l'appareil, à l'emballage et aux caractéristiques techniques précisées dans la documentation.

Élimination et protection de l'environnement


En cas de retrait du produit de l'exploitation l'appareil ne peut pas être jeté avec d'autres déchets ménagers. L'utilisateur est responsable de la remise de l'équipement au point de collecte approprié pour l'équipement usagé. Le non-respect des dispositions ci-dessus peut entraîner les pénalités conformément à la réglementation applicable en matière d'élimination des déchets. La collecte sélective et le recyclage des équipements usagés contribuent à la conservation des ressources na-

turelles et assurent un recyclage sans danger pour la santé et l'environnement. Pour plus d'informations sur les endroits de collecte des équipements usagés pour le recyclage, contactez la société de collecte des déchets locale. Le producteur et l'importateur ne sont pas responsables du recyclage et du traitement des déchets d'une manière respectueuse de l'environnement directement et dans le système public.

Gentile cliente,

grazie per aver acquistato questo apparecchio Hendi. Ti invitiamo a leggere queste istruzioni per l'uso con attenzione prima di collegare l'apparecchio al fine di evitare danni dovuti a uso improprio. Ti invitiamo inoltre a prestare particolare attenzione alle precauzioni di sicurezza.

Precauzioni di sicurezza

- L'uso scorretto e improprio dell'apparecchio possono danneggiare seriamente l'apparecchio e ferire gli utenti.
- Questo apparecchio è destinato al buffet e all'uso domestico.
- L'apparecchio può essere utilizzato solo per lo scopo per cui è stato concepito e progettato. Il produttore non è responsabile di eventuali danni provocati da uso scorretto ed improprio.
- Tenere l'apparecchio e la spina elettrica lontani da acqua ed altri liquidi. Nel caso improbabile che l'apparecchio cada in acqua, staccare immediatamente la spina dalla presa e fare ispezionare l'apparecchio da un tecnico certificato. L'inosservanza delle presenti istruzioni può dare luogo a situazioni pericolose
- Non provare mai ad aprire l'involucro dell'apparecchio da soli.
- Non inserire oggetti nell'involucro dell'apparecchio.
- Non toccare la presa con le mani bagnate o umide.
-  **Pericoli di scosse elettriche!** Non tentare di riparare l'apparecchio da solo. Eventuali difetti e malfunzionamenti devono essere rimossi soli da personale qualificato.
- **Non usare l'apparecchio danneggiato!** L'apparecchio difettoso deve essere immediatamente scollegato dalla rete e contattare il rivenditore.
- **Attenzione:** Non immergere parti elettriche in acqua o altri liquidi. Non mettere l'apparecchio sotto l'acqua corrente.
- Controllare regolarmente se la spina e il cavo di alimentazione non sono danneggiati. La spina o il cavo danneggiati trasmettere al servizio o alla persona qualificare per riparare, per evitare eventuali pericoli e lesioni.
- Assicurarsi che il cavo di alimentazione non è in contatto con oggetti appuntiti o caldi. Tenere il cavo lontano da fiamme libere. Per scollegare la spina dalla presa, tirare sempre la spina, mai il cavo.
- Proteggere il cavo di alimentazione (o di estensione) per la sconnessione accidentale dalla presa. Disporre il cavo in modo per evitare lo slittamento accidentale.
- Sorvegliare l'apparecchio continuamente durante l'uso.
- **Attenzione!** Se la spina è inserita nella presa, l'apparecchio è considerato come collegato.
- Prima di rimuovere la spina dalla presa, spegnere l'apparecchio!
- Non trasportare l'apparecchio tenendo il cavo di alimentazione.
- Non utilizzare qualsiasi accessorio che non è stato fornito con l'apparecchio.
- L'apparecchio deve essere collegato ad una presa con tensione e frequenza indicate sulla targhetta.

- Inserire la spina nella presa situata in un punto facilmente accessibile in modo che in caso di guasto sia possibile scollegare immediatamente l'apparecchio. Per spegnere completamente l'apparecchio, scollegarlo dalla presa di corrente. Per questo staccare la spina che si trova sull'estremità del cavo di alimentazione.
- Prima di scollegare la spina, ricordarsi sempre di spegnere l'apparecchio!
- Non usare gli accessori non raccomandati dal produttore. L'uso di accessori non raccomandati può creare i rischi per l'utente e provocare i danni all'apparecchio. Usare unicamente solo pezzi ed accessori originali.
- L'installazione elettrica deve soddisfare le normative nazionali e locali applicabili. Questo apparecchio non è destinato all'uso da parte di persone (inclusi i bambini) con capacità fisiche, sensoriali o mentali ridotte, o senza esperienza e conoscenza.
- Non permettere ai bambini di utilizzare l'apparecchio.
- Tenere l'apparecchio con il cavo fuori dalla portata dei bambini.
- Non permettere ai bambini di giocare con l'apparecchio.
- Scollegare l'apparecchio dalla rete se esso deve essere lasciato incustodito e prima del montaggio, dello smontaggio o della pulizia.
- Non lasciare l'apparecchio incustodito durante l'utilizzazione.

Norme di sicurezza speciali

- Questo apparecchio è destinato solo per la produzione di gelato, sorbetto e yogurt gelato. Qualsiasi altro uso può provocare danni al dispositivo o lesioni personali.
- Utilizzare il dispositivo solo come descritto nel presente manuale.
- Questo apparecchio deve essere utilizzato da personale addestrato in cucine di ristoranti, mense o bar, ecc.



Attenzione! Superficie calda! La superficie è calda quando in uso. Toccare solo il pannello di controllo.



Attenzione! Pericolo di incendio! Il refrigerante utilizzato nel dispositivo è R600a. È un refrigerante infiammabile rispettoso dell'ambiente. Durante il trasporto e il posizionamento del dispositivo, si deve prestare particolare attenzione a non danneggiare alcuna parte del sistema di refrigerazione. La perdita di refrigerante può causare danni agli occhi.

- L'agente schiumogeno utilizzato in questo apparecchio è C₅H₁₀. È una sostanza altamente infiammabile.
- Non collocare l'apparecchio su un oggetto che riscalda (fornello a benzina, elettrico, a carbone, ecc.) Mantenere il dispositivo lontano da superfici calde e fiamme libere. Utilizzare sempre l'apparecchio su una superficie piana, stabile, pulita, resistente al calore e asciutta.
- Questo dispositivo non è destinato ad essere azionato mediante un timer esterno o un telecomando separato.

- Durante il funzionamento, mai mettere mani o utensili da cucina all'interno del contenitore del gelato. Toccare l'agitatore può provocare lesioni alle mani e alle dita o danneggiare l'apparecchio.
- Non rimuovere l'agitatore durante il funzionamento dell'apparecchio.
- **AVVERTENZA:** Tenere tutte le aperture di ventilazione nell'involucro dell'apparecchio libere da ostruzioni.
- **AVVERTENZA:** Non utilizzare dispositivi meccanici o altri mezzi diversi da quelli consigliati dal produttore per accelerare il processo di scongelamento.
- **AVVERTENZA:** Non danneggiare il circuito refrigerante.
- Non conservare sostanze esplosive, come bombolette spray con propellente infiammabile in questo apparecchio.
- Non indossare indumenti larghi, come sciarpe, ecc, i capelli lunghi dovrebbero essere legati durante il funzionamento.
- Lasciare almeno 10 cm di spazio intorno all'apparecchio per scopi di ventilazione durante l'uso.
- Non utilizzare utensili duri per colpire la superficie esterna. Non utilizzare getti d'acqua o far fluire direttamente acqua o vapore per la pulizia in quanto le parti si bagnano e potrebbero provocare scosse elettriche.
- Non esporre alla luce solare diretta. Evitare urti meccanici e vibrazioni.
- **Attenzione!** Dirigere in sicurezza il cavo di alimentazione, se necessario, per evitare trazioni accidentali o contatti con la superficie calda.
- Non pulire o riporre l'apparecchio se non è completamente raffreddato.
- Non ci sono parti lavabili in lavastoviglie.
- Questo apparecchio è destinato ad essere utilizzato in applicazioni domestiche e simili come
 - 1) aree cucina dedicate al personale in negozi, uffici e altri ambienti di lavoro;
 - 2) aziende agricole e dai clienti in alberghi, motel e altre strutture di tipo residenziale;
 - 3) ambienti tipo bed and breakfast;
 - 4) applicazioni di catering e non al dettaglio similari
- Non ci sono parti lavabili in lavastoviglie.

Destinazione del dispositivo

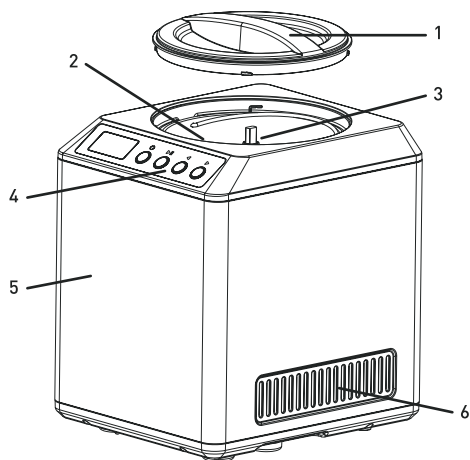
- Questo apparecchio è destinato al buffet e all'uso domestico.
- Questo apparecchio è destinato solo per la produzione di gelato, sorbetto e yogurt gelato. L'uso del dispositivo per qualsiasi altro scopo può causare danni o lesioni.
- L'uso del dispositivo per qualsiasi altro scopo sarà considerato un uso improprio. L'utente sarà l'unico responsabile per l'uso scorretto del dispositivo.

Messa a terra

Il mixer planetario è l'apparecchio della I classe di protezione e deve esser messa a terra. La messa a terra riduce il rischio di scosse elettriche grazie al cavo evacuante il corrente elettrico. L'apparecchio

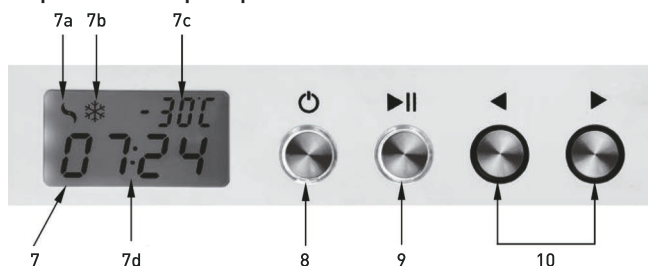
è dotato di un cavo con una messa a terra. Non inserire la spina nella presa di corrente se l'apparecchio non è stato correttamente installato o messo a terra.

Panoramica delle parti principali dell'apparecchio



1. Coperchio trasparente
2. Contenitore per gelato rimovibile
3. Agitatore
4. Pannello di controllo
5. Involucro
6. Fori di ventilazione

Pannello di controllo per le funzioni principali



7. Display digitale: mostrerà i seguenti messaggi durante il funzionamento:

7a.- Motore in funzione per la rotazione dell'agitatore

7b.- Operazione di raffreddamento

7c.- Temperatura sul fondo del contenitore estraibile (Intervallo: -10°C ~ -35°C)

7d.- Timer (Predefinito: 90 minuti). Tempo rimanente durante la produzione del gelato

8. Pulsante STANDBY/OFF: Premere per passare alla modalità STANDBY o OFF dell'apparecchio

9. Pulsante START/PAUSE: Premere per avviare un'operazione di produzione di gelato. Premere di nuovo per mettere in pausa.

10. Pulsanti di impostazione orario

◀: ridurre il tempo di funzionamento

▶: aumentare il tempo di funzionamento

Preparativi prima di utilizzare per la prima volta

- Rimuovere tutti gli imballaggi protettivi e la confezione.
- Verificare che il prodotto sia integro e con tutti gli accessori (fra cui: paletta di plastica, agitatore, contenitore per gelato, misurino). In caso di consegna incompleta e danni. Si prega di contattare il fornitore (Vedi ==> Garanzia).
- Pulire l'apparecchio prima dell'uso (Vedi ==> Pulizia e manutenzione).

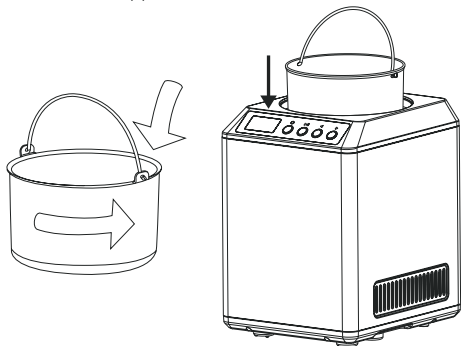
- Accertarsi che l'apparecchio sia completamente asciutto.
- Posizionare l'apparecchio su una superficie orizzontale, stabile e resistente al calore che sia sicura contro gli spruzzi d'acqua.
- Assicurarsi che la ventilazione sia sufficiente. Mantenere una distanza minima di 10 cm intorno all'apparecchio.

Funzionamento

Avvertenza: Assicurarsi che l'apparecchio sia scollegato dall'alimentazione elettrica.

Preparazioni degli ingredienti per produrre il gelato

- In primo luogo, preparare tutti gli ingredienti per fare il gelato secondo la ricetta consigliata.
- Quindi, posizionare il contenitore estraibile all'interno dell'apparecchio.



- Poi, posizionare l'agitatore al centro del contenitore estraibile.

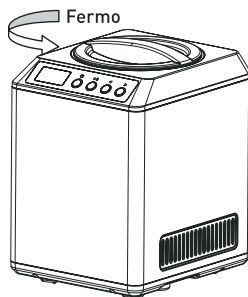
- Dopo di che, riempire il contenitore per gelato (2) con gli ingredienti preparati. Gli ingredienti devono essere prima ben raffreddati (circa 10° C).

Non devono mai essere caldi o bollenti.

Nota: Per evitare la fuoriuscita del gelato in eccesso dal contenitore gelato durante il funzionamento, riempire il contenitore del gelato fino al 60% della sua capacità totale. Il gelato si gonfia durante la lavorazione e riempie l'intero contenitore.

Operazione per la produzione del gelato

- Impostare il tempo desiderato premendo il pulsante (10). (Intervallo di tempo: 5 - 90 minuti).
Nota: L'apparecchio inizierà dal tempo predefinito di 90 minuti se nessun altro pulsante è premuto.
 - Quindi, premere il pulsante START/PAUSA (9) per avviare la produzione del gelato. Premere di nuovo per mettere in pausa.
 - L'agitatore inizia la rotazione e il raffreddamento viene iniziato per fare il gelato.
 - Gli indicatori (7a) e (7b) lampeggiano. La temperatura nella parte inferiore del contenitore (7c) e il tempo rimanente (7d) verranno mostrati sul display (7).
- Ora, montare e bloccare il coperchio trasparente (1) ruotandolo in senso antiorario. Osservare la marcatura sulla parte esterna del coperchio (1).



- Collegare la spina ad una presa elettrica idonea e singola. Verrà emesso un segnale acustico breve.
- Passare alla modalità STANDBY premendo il pulsante STANDBY/OFF (8).

Aggiunta di ingrediente extra

- Durante il processo di produzione del gelato, è possibile aggiungere ulteriori ingredienti secondo il proprio gusto particolare come frutta, scaglie di cioccolato, uvetta, noci, mandorle, ecc.
- Per fare questo, basta aprire il coperchio trasparente (1) e fare attenzione durante l'aggiunta degli ingredienti.
- Chiudere il coperchio (2) dopo l'aggiunta.

Funzione di mantenimento in fresco

Questa funzione consente all'utente di servire il gelato in un secondo momento.

- Quando viene raggiunto il tempo impostato, l'agitatore fermerà la rotazione e il motore si fermerà.
- Il display inizierà a lampeggiare con 00:00 / COOL per circa 10 minuti ciascuno alternatamente e mostrerà continuamente l'indicatore di temperatura (7d).
- Ciò indica che entra in modalità "Mantenimento in fresco". Questa funzione di "Mantenimento in fresco" durerà circa 2 ore.
- Dopo 2 ore, l'apparecchio verrà spento automaticamente con il display senza luce di sfondo.

Protezione del motore

- Se il gelato è troppo duro, verrà bloccata la rotazione del motore e verrà interrotto il processo di produzione del gelato.
- L'apparecchio si spegnerà automaticamente per evitare che il motore si surriscaldi.
- Scollegare l'apparecchio e lasciarlo raffreddare completamente prima di avviarlo di nuovo.
- Controllare nuovamente la ricetta e scartare il cibo in quanto gli ingredienti non sono corretti e non va bene.

Rimuovere e servire il gelato

- Aprire il coperchio (1) dell'apparecchio e rimuovere il contenitore per gelato (2) dall'apparecchio. Trasferire il gelato in un contenitore appropriato o in coppe da gelato.
Nota: Utilizzare solo palette di plastica o di legno (incluse) per evitare di danneggiare il contenitore per gelato.
- Riporre il gelato in un contenitore sigillato appropriato a una temperatura massima di circa -12° C per un periodo massimo di 1 settimana. Contrassegnare il contenitore con data di produzione e gusto.
- **Attenzione!** Il gelato è un buon ambiente per la proliferazione dei batteri. Mantenere la gelatiera e i contenitori per la conservazione del gelato perfettamente puliti e asciutti. Mai ricongelare gelato fuso o parzialmente scongelato.

Ricette consigliate

1. Gelato alla vaniglia
 - Latte: 250 ml
 - Panna: 500 ml
 - Zucchero 110 g
 - 1 ~ 2 cucchiaini di estratto di vaniglia
2. Gelato al cioccolato
 - Latte: 250 ml
 - Panna: 500 ml
 - Zucchero 50 g
 - 100 g di cioccolato amaro o semidolce (quello che si preferisce)
 - 1 cucchiaino di estratto di vaniglia

Osservazione: Notare che queste ricette sono solo per riferimento.

Pulizia e manutenzione

Attenzione: Staccare sempre la spina dalla presa di corrente elettrica e lasciarlo raffreddare completamente prima di pulizia e deposito.

Pulizia

- Non immergere mai l'apparecchio in acqua o altri liquidi.
- Pulire la superficie esterna raffreddata con un panno leggermente umido o una spugna con una soluzione di detergente neutro.
- Non usare mai spugne o detersivi abrasivi, paglietta o utensili metallici per pulire le parti interne o esterne dell'apparecchio.

Nota: Non ci sono parti lavabili in lavastoviglie.

Deposito

- Prima di riporlo, assicurarsi sempre che l'apparecchio sia già stato scollegato dalla presa elettrica e sia completamente raffreddato.
- Conservare l'apparecchio in un luogo fresco, pulito e asciutto.

Risoluzione dei problemi

Se l'apparecchio non funziona correttamente, si prega di controllare la tabella seguente per la so-

luzione. Se non si è ancora in grado di risolvere il problema, contattare il fornitore/centro assistenza.

Problemi	Possibile causa	Possibile soluzione
L'apparecchio non si accende.	- La spina di alimentazione non è collegata correttamente alla presa elettrica. - Premere il pulsante Standby/OFF (1).	- Controllare la spina di alimentazione per assicurarsi che sia collegata correttamente. - Premere il pulsante Standby/OFF (1).
L'agitatore interrompe la rotazione	- Il gelato è troppo duro e quindi arrestarlo per evitare il surriscaldamento.	- Scollegare l'apparecchio e lasciarlo raffreddare completamente prima di avviarlo di nuovo. - Buttare via gli ingredienti e controllare nuovamente la ricetta.

Specifiche tecniche

N°. articolo: 274231

Tensione e frequenza di funzionamento: 220- 240V- 50Hz

Potenza nominale in ingresso: 180W

Capacità del contenitore: circa 2,0L

Capacità di produzione di gelato: circa 1,3L

Intervallo di temperatura: - 10°C ~ - 35°C

Impostazione del timer: da 5 min a 90 min

(L'agitatore ruota fino al termine del timer. Quando l'agitatore viene bloccato dal gelato, il motore si arresterà automaticamente per evitare danni.)

Classe di protezione: classe I

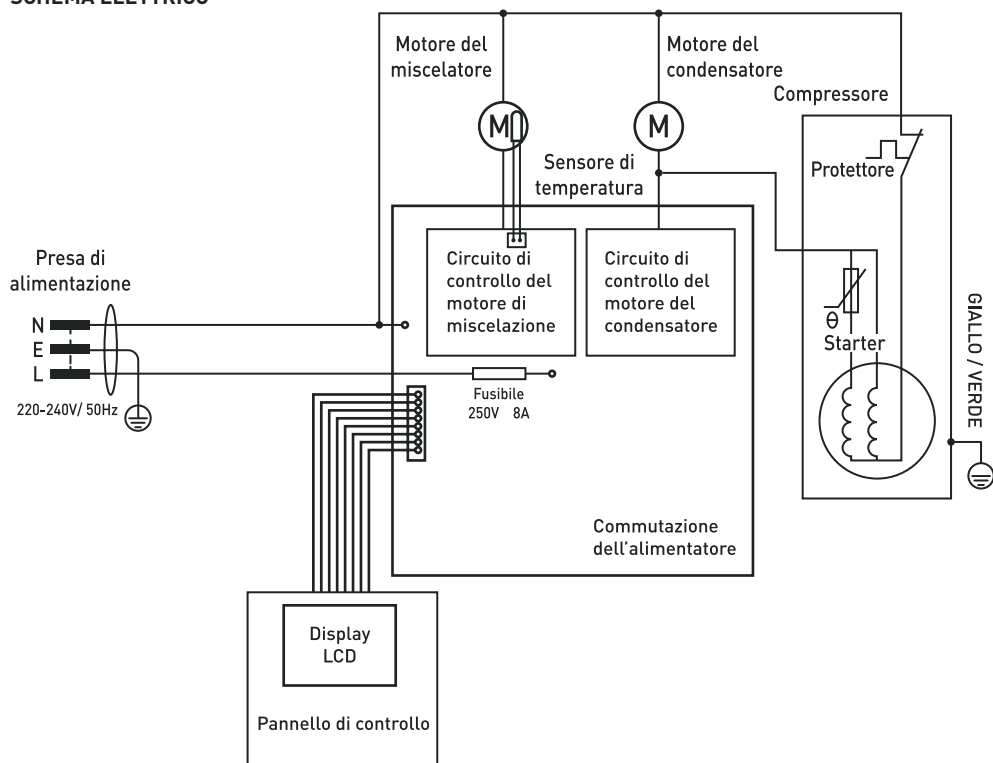
Refrigerante utilizzato e sua quantità: R600a / 32g

Dimensioni: 272x315x(H)362mm

Peso netto: 12kg

Osservazione: Le specifiche tecniche sono soggette a modifiche senza preavviso

SCHEMA ELETTRICO



Garanzia

Qualsiasi difetto che influenza la funzionalità del dispositivo che compaia entro un anno dall'acquisto sarà corretto a titolo interamente gratuito o con la sostituzione del prodotto che è stato utilizzato e sottoposto a manutenzione corretta seguendo le istruzioni, senza alcuna violazione. I diritti legali del cliente non sono assolutamente modificati. Nel caso in cui l'intervento di manutenzione o sostitu-

zione sia previsto nel periodo di validità della garanzia, precisare dove e quando si è acquistato il prodotto, possibilmente allegando lo scontrino.

In linea con la nostra politica di sviluppo continuo dei prodotti, ci riserviamo il diritto di modificare il prodotto, l'imballo e le specifiche di documentazione, senza notifica alcuna.

Smaltimento e protezione dell'ambiente


In caso di ritiro dell'apparecchiatura dal funzionamento il prodotto non può essere smaltito con altri rifiuti domestici. L'utente è responsabile della consegna dell'attrezzatura al punto di raccolta appropriato per l'attrezzatura usata. Il mancato rispetto delle disposizioni sopramenzionate può comportare l'imposizione di sanzioni in conformità con le normative vigenti in materia di smaltimento dei rifiuti. La raccolta e il riciclaggio selettivi di attrezzature usate contribuiscono alla conserva-

zione delle risorse naturali e garantiscono il riciclaggio in modo tale da non nuocere alla salute e all'ambiente. Per ulteriori informazioni sui luoghi di smaltimento delle apparecchiature usate per il riciclaggio, contattare la società locale di raccolta dei rifiuti. Il produttore e l'importatore non sono responsabili per il riciclaggio e il trattamento dei rifiuti in modo ecologico, sia direttamente che nel quadro del sistema pubblico.

Stimate client,

Vă mulțumim pentru achiziționarea acestui aparat Hendi. Vă rugăm să citiți cu atenția acest manual înainte de a conecta aparatul pentru evitarea defectării ca urmare a utilizării incorecte. Acordați o atenție deosebită regulilor de siguranță.

Reguli de siguranță

- Operarea incorectă și utilizarea necorespunzătoare a aparatului poate avaria grav aparatul și poate cauza răni oamenilor.
- Acest aparat este destinat uzului casnic și pentru bufet.
- Aparatul poate fi folosit doar în scopul pentru care a fost proiectat. Producătorul nu este răspunzător pentru orice avariere cauzată operării incorecte și a utilizării necorespunzătoare.
- Asigurați-vă că aparatul și ștecherul nu intră în contact cu apă sau alte lichide. În cazul în care aparatul este scăpat în apă, scoateți imediat ștecherul din priză și un tehnician autorizat trebuie să-l verifice. Dacă nu respectați aceste instrucțiuni, acest lucru poate cauza situații care vă pot pune viața în pericol.
- Nu încercați să deschideți singuri carcasa aparatului.
- Nu introduceți nici un fel de obiecte în carcasa aparatului.
- Nu atingeți ștecherul cu mâinile ude sau umede.
-  **Pericol de electrocutare!** Nu încercați să reparați singur/ă aparatul. În cazul unei defecțiuni, reparațiile vor fi efectuate întotdeauna numai de personal calificat.
- **Nu utilizați niciodată un aparat defect!** Deconectați aparatul de la priza electrică și contactați distribuitorul în cazul unei defecțiuni.
- **Avertisment!** Nu scufundați părțile electrice ale aparatului în apă sau în alte lichide. Nu țineți niciodată aparatul sub jet de apă.
- Verificați în mod regulat ștecărul și cablul pentru a vă asigura că nu sunt deteriorate. În cazul în care ștecărul sau cablul de alimentare este deteriorat, acesta trebuie înlocuit de agentul de service sau de alt personal calificat similar pentru a evita orice pericol.
- Cablul nu trebuie să intre în contact cu obiecte ascuțite sau fierbinți și trebuie păstrat departe de foc. Pentru a scoate ștecărul din priză, trageți întotdeauna de ștecăr, nu de cablu.
- Asigurați-vă că nimeni nu poate trage din greșeală cablul (sau prelungitorul) și că nimeni nu se poate împiedica de el.
- Supravegheați întotdeauna aparatul atunci când este în funcțiune.
- **Avertisment!** Atât timp cât ștecărul este în priză, aparatul este conectat la sursa de electricitate.
- Opriiți aparatul înainte de a scoate ștecărul din priză.
- Nu cărați niciodată aparatul ținându-l de cablu.
- Nu utilizați dispozitive suplimentare care nu sunt livrate împreună cu aparatul.
- Conectați aparatul doar la prize electrice cu intensitatea și frecvența electrice menționate pe eticheta aparatului.

- Conectați cablul de alimentare la o priză electrică ușor accesibilă, astfel încât aparatul să poată fi deconectat imediat în caz de urgență. Scoateți cablul de alimentare din priza electrică pentru a opri complet aparatul. Utilizați cablul de alimentare ca dispozitiv de deconectare.
- Opriți întotdeauna aparatul înainte de a deconecta cablul de alimentare.
- Nu utilizați niciodată accesorii care nu sunt recomandate de către producător. Acestea pot reprezenta un risc de siguranță pentru utilizator și pot deteriora aparatul. Utilizați numai piese și accesorii originale.
- Acest aparat nu trebuie folosit de copii sau persoane care au capacități mentale, senzoriale sau fizice reduse, sau lipsă de experiență și cunoștințe.
- Acest aparat nu trebuie utilizat sub nicio formă de către copii.
- Nu țineți produsul și cablurile sale la îndemâna copiilor.
- Copiii nu trebuie să se joace cu acest produs.
- Deconectați întotdeauna aparatul de la sursa de alimentare în cazul în care este lăsat nesupravegheat, precum și înainte de asamblare, dezasamblare sau curățare.
- Nu lăsați niciodată aparatul nesupravegheat pe parcursul utilizării.

Reguli speciale privind siguranța

- Acest aparat este conceput numai pentru prepararea înghețatei, șerbetului și iaurtului înghețat. Orice altă utilizare poate duce la deteriorarea aparatului sau la vătămări corporale.
- Utilizați aparatul numai conform indicațiilor din prezentul manual.
- Acest aparat trebuie utilizat numai de personal instruit din bucătăria restaurantului, personalul instruit al barului, etc.



Atenție! Suprafață fierbinte! Suprafața este fierbinte atunci când aparatul este în uz. Atingeți numai panoul de control.



Atenție! Risc de incendiu! Agentul frigorific utilizat este R600a. Acesta este un agent frigorific inflamabil, fără efecte adverse asupra mediului. Trebuie întotdeauna avută grijă la transportarea și instalarea aparatului, în așa fel încât niciuna din părțile sistemului de răcire să nu fie avariate. Scurgerile de agent frigorific pot vătăma ochii.

- Agentul de expandare cu spumă utilizat este C₅H₁₀ în acest dispozitiv. Este extrem de inflamabil.
- Nu poziționați aparatul pe un obiect încălzit (radiator cu benzină, radiator electric, cuptor pe cărbuni, etc.) Țineți aparatul departe de suprafețe fierbinți și flăcări deschise. Utilizați întotdeauna aparatul pe o suprafață orizontală, stabilă, curată, uscată și rezistentă la căldură.
- Aparatul nu este conceput pentru a fi utilizat împreună cu un temporizator extern sau cu un sistem separat de control de la distanță.

- În timpul utilizării, nu puneți niciodată mâinile dvs. sau instrumentele de bucătărie în interiorul recipientului pentru înghețată. Atingerea dispozitivului de amestecare poate cauza vătămări la mână și la degete sau poate deteriora aparatul.
- Nu înlăturați niciodată dispozitivul de amestecare în timpul funcționării aparatului.
- **AVERTISMENT:** Țineți libere toate orificiile de ventilație ale aparatului.
- **AVERTISMENT:** Nu utilizați dispozitive mecanice sau alte mijloace pentru a accelera procesul de dezghețare, cu excepția celor recomandate de producător.
- **AVERTISMENT:** Nu deteriorați circuitul de agent frigorific.
- Nu depozitați substanțe explozive precum sprayuri cu aerosol cu gaz propulsor inflamabil în acest aparat.
- Nu purtați vestimentație liberă precum eșarfe, etc., iar părul lung ar trebui să fie legat în timpul utilizării aparatului.
- Permiteți un spațiu de cel puțin 10 cm în jurul aparatului pentru ventilație în timpul utilizării.
- Nu utilizați ustensile dure pentru a lovi suprafața exterioară. Nu utilizați jet de apă, nu clătiți direct cu apă și nu curățați cu aburi deoarece piesele se vor umezi și există risc de electrocutare.
- Nu expuneți aparatul la lumina directă a soarelui. Evitați șocurile mecanice și vibrațiile.
- **Atenție!** Așezați corespunzător cablul de alimentare pentru a preveni tragerea accidentală sau contactul cu suprafața încălzită.
- Nu curățați sau depozitați aparatul, dacă acesta nu s-a răcit complet.
- Nicio piesă a aparatului nu poate fi spălată în mașina de spălat vase.
- Acest aparat este conceput pentru utilizare casnică și în aplicații similare precum
 - 1) Zonele de bucătărie în magazine, spații de birouri sau alte medii de lucru;
 - 2) Pensiuni, hoteluri, moteluri și alte medii similare;
 - 3) Medii similare pensiunilor;
 - 4) Catering și aplicații non-retail similare.
- Nicio piesă a aparatului nu poate fi spălată în mașina de spălat vase.

Destinația produsului

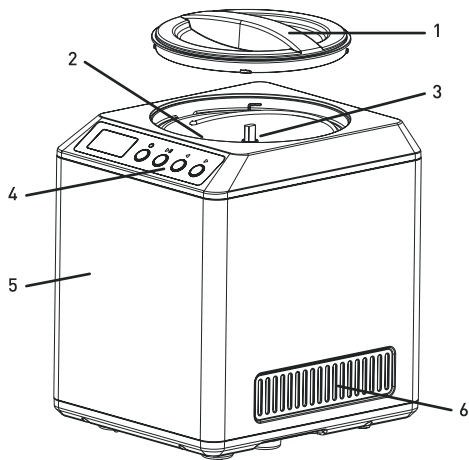
- Acest aparat este destinat uzului casnic și pentru bufet.
- Acest aparat este conceput numai pentru prepararea înghețatei, șerbetului și iaurtului înghețat. Orice altă utilizare poate provoca avarierea aparatului sau accidentarea persoanelor.
- Utilizarea aparatului în orice alt scop reprezintă o utilizare incorectă. Utilizatorul este singurul răspunzător de orice utilizare incorectă a aparatului.

Instalația de împământare

Acest aparat este încadrat în clasa de protecție I și trebuie conectat la împământare de protecție. Împământarea reduce riscul electrocutării prin asigurarea unui fir de ieșire pentru curentul electric.

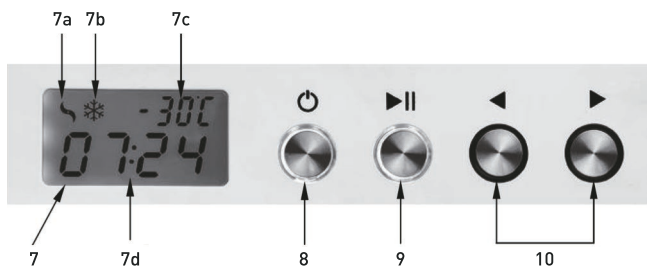
Acest aparat este dotat cu un cablu cu fir și fișă de împământare. Fișa trebuie conectată la o priză instalată corespunzător și cu împământare.

Prezentarea generală a părților principale ale aparatului



1. Capac transparent
2. Recipient pentru înghețată detașabil
3. Dispozitiv de amestecare
4. Panou de control
5. Carcasă
6. Orificii de ventilație

Panou de control pentru funcțiile principale



7. Afișaj digital: acesta va prezenta următoarele mesaje în timpul funcționării:

7a.- Motorul funcționează pentru rotirea dispozitivului de amestecare

7b.- Funcționare pentru răcire

7c.- Temperatura la baza recipientului detașabil (Interval: -10°C ~-35°C)

7d.- Temporizator (Implicit: 90 de minute). Timpul rămas pentru prepararea înghețatei

8. Butonul MOD AȘTEPTARE/OPRIT: Apăsați pentru a comuta la modul AȘTEPTARE sau OPRIT al aparatului

9. Butonul INIȚIALIZARE/ÎNTRERUPERE: Apăsați pentru a inițializa prepararea înghețatei. Apăsați din nou pentru întrerupere.

10. Butoane pentru setarea timpului

◀ : reduceți timpul operațiunii

▶ : măriți timpul operațiunii

Pregătirile înainte de prima utilizare

- Înlăturați toate ambalajele de protecție.
- Verificați că aparatul este nedeteriorat și că are toate accesoriile (de ex. cupă din plastic, dispozitiv pentru amestecare, recipient pentru înghețată, pahar de măsurare). În caz de livrare incompletă sau de deteriorări contactați furnizorul (Consultați ==> Garanție).

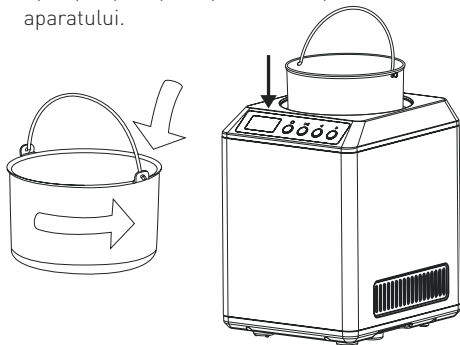
- Curățați aparatul înainte de utilizare (Consultați ==> Curățare și întreținere).
- Asigurați-vă că aparatul este complet uscat.
- Poziționați aparatul pe o suprafață orizontală, stabilă și rezistentă la căldură care este ferită de eventuale stropiri cu apă.
- Asigurați-vă că există ventilație suficientă. Asigurați un spațiu minim de 10 cm în jurul aparatului.

Funcționare

Avertisment: Asigurați-vă că aparatul este deconectat de la sursa de alimentare electrică.

Pregătirea pentru ingredientele pentru înghețată

- Mai întâi, preparați toate ingredientele pentru înghețată conform rețetei recomandate.
- Apoi, poziționați recipientul detașabil în interiorul aparatului.

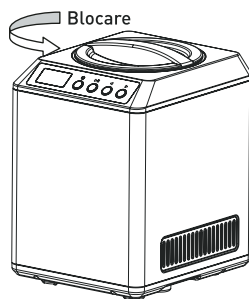


- Apoi, poziționați dispozitivul pentru amestecare în centrul recipientului detașabil.
- După aceea, umpleți recipientul pentru înghețată (2) cu ingredientele preparate. Ingredientele trebuie să fie răcite corespunzător înainte (la aproximativ 10°C). Acestea trebuie să nu fie calde sau fierbinți.

Notă: Pentru a evita scurgerile excesive de cremă din recipientul pentru înghețată în timpul funcționării, umpleți recipientul pentru înghețată până la aproximativ 60% din capacitatea sa totală. Înghețata va crește în volum în timpul funcționării și va umple întreg recipientul.

Prepararea înghețatei

- Setati timpul dorit apăsând butonul (10). (Interval de timp: 5 ~ 90 de minute).
Notă: Aparatul va porni de la timpul implicit de 90 de minute dacă nu este apăsat niciun buton.
 - Apoi, apăsați butonul INIȚIALIZARE/ÎNTRERUPERE (9) pentru a inițializa prepararea înghețatei. Apăsați din nou pentru întrerupere.
 - Dispozitivul pentru rotire va începe să se rotească și se va inițializa funcționarea pentru răcire pentru prepararea înghețatei.
 - Indicatorul (7a) și (7b) se va aprinde intermitent. Temperatura de la baza recipientului (7c) și timpul rămas (7d) vor fi indicate pe afișaj (7).
- Acum, montați și blocați capacul transparent (1) rotindu-l în sens antiorar. Observați marcajul de pe partea exterioară a capacului (1).



- Conectați fișa la o sursă de alimentare electrică potrivită, unică. Se va auzi un sunet scurt.
- Comutați la modul AȘTEPTARE apăsând butonul MOD AȘTEPTARE/OPRIT (8).

Adăugarea unui ingredient suplimentar

- În timpul procesului de preparare a înghețatei, puteți adăuga ingrediente suplimentare după gust, precum fructe, fulgi de înghețată, stafide, nuci, migdale, etc.

Funcția de răcire continuă

Această funcție permite utilizatorului să servească mai târziu înghețata.

- Când se atinge timpul setat, dispozitivul pentru amestecare nu se va mai roti iar motorul se va opri.
- Afișajul se va aprinde intermitent cu 00:00 / COOL (RĂCIRE) timp de aproximativ 10 minute fiecare în mod alternativ, iar indicatorul de temperatură (7d) va fi afișat în mod continuu.

Protecția motorului

- Dacă înghețata este prea dură, rotirea motorului va fi blocată iar procesul de preparare a înghețatei va fi întrerupt.
- Aparatul se va opri automat pentru a preveni supraîncălzirea motorului.

Scoaterea și servirea înghețatei

- Deschideți capacul (1) aparatului și scoateți recipientul pentru înghețată (2) din aparat. Transferați înghețata într-un recipient corespunzător sau în cupe pentru înghețată.
Notă: Utilizați numai cupele din plastic sau din lemn (incluse) pentru a evita deteriorarea recipientului pentru înghețată.
- Depozitați înghețata într-un recipient etanș corespunzător la o temperatură maximă de aproximativ -12°C pentru cel mult 1 săptămână. Marcați recipientul cu data preparării și aroma.

Rețete sugerate

1. Înghețată de vanilie

- Lapte: 250ml
- Smântână: 500ml
- Zahăr 110g
- 1 ~ 2 lingurițe de extract de vanilie

2. Înghețată de ciocolată

- Lapte: 250ml
- Smântână: 500ml
- Zahăr 50g
- 100g ciocolată amăruie sau semi-dulce (după gust)
- 1 linguriță de extract de vanilie

Observație: Rețineți faptul că aceste rețete sunt doar cu scop orientativ.

- Pentru a realiza acest lucru, pur și simplu deschideți capacul transparent (1) și aveți grijă în timpul adăugării de ingrediente.
- Închideți capacul (2) după adăugare.

- Aceasta indică faptul că aparatul intră în modul „Keep cool” (Răcire continuă). Această funcție „Keep cool” (Răcire continuă) va dura aproximativ 2 ore.
- După 2 ore, aparatul va fi setat ca OFF (OPRIT) în mod automat, afișajul având lumina de fundal dezactivată.

- Deconectați aparatul și lăsați-l să se răcească în mod complet înainte de a-l porni din nou.
- Verificați din nou rețeta și eliminați alimentele și ingredientele greșite sau nepotrivite.

- **Atenție!** Înghețata este un mediu favorabil pentru creșterea bacteriilor. Mențineți înghețata, aparatul și recipientele pentru depozitarea înghețatei perfect curate și uscate. Nu recongelați niciodată înghețata topită sau dezghețată parțial.

Curățare și întreținere

Atenție: Deconectați întotdeauna aparatul de la priza electrică și lăsați-l să se răcească în mod complet înainte de curățare și depozitare

Curățare

- Nu scufundați niciodată aparatul în apă sau în alte lichide.
- Curățați suprafața exterioară răcită cu o cârpă sau un burete ușor umed cu o soluție cu detergent delicat.
- Nu utilizați niciodată bureți sau detergenți abrazivi, bureți de sârmă sau ustensile metalice pentru a curăța părțile interioare sau exterioare ale aparatului.
Notă: Nicio piesă a aparatului nu poate fi spălată în mașina de spălat vase.

Depozitare

- Înainte de depozitare, asigurați-vă întotdeauna că aparatul a fost deja deconectat de la priza electrică și că s-a răcit în mod complet.
- Depozitați aparatul într-un loc răcoros, curat și uscat.

Depanare

Dacă aparatul nu funcționează corespunzător, verificați tabelul de mai jos pentru soluție. Dacă nu puteți soluționa problema, contactați furnizorul/operatorul de servicii.

Probleme	Cauză posibilă	Soluție posibilă
Aparatul nu pornește.	- Fișa de alimentare nu este conectată corespunzător la priză. - Apăsăți butonul Mod așteptare/OPRIT (1).	- Verificați fișa de alimentare pentru a vă asigura că este conectată corespunzător. - Apăsăți butonul Mod așteptare/OPRIT (1).
Dispozitivul pentru amestecare se oprește din rotit	- Înghețata este prea dură, așadar rotirea s-a oprit pentru a preveni supraîncălzirea.	- Deconectați aparatul de la priză și lăsați-l să se răcească în mod complet înainte de a-l porni din nou. - Aruncați ingredientele și verificați din nou rețeta.

Specificație tehnică

Articolul nr.: 274231

Tensiune și frecvență de funcționare: 220- 240V- 50Hz

Putere de intrare nominală: 180W

Capacitate recipient: aprox. 2,0L

Capacitatea de producție pentru înghețată: aprox. 1,3L

Interval de temperatură: - 10°C ~ - 35°C

Setare temporizator: 5 ~ 90 mins

(Agitatorul se rotește până la încheierea temporizatorului. Când agitatorul este blocat cu înghețată, motorul se va opri automat pentru a preveni deteriorarea.)

Clasa de protecție: clasa I

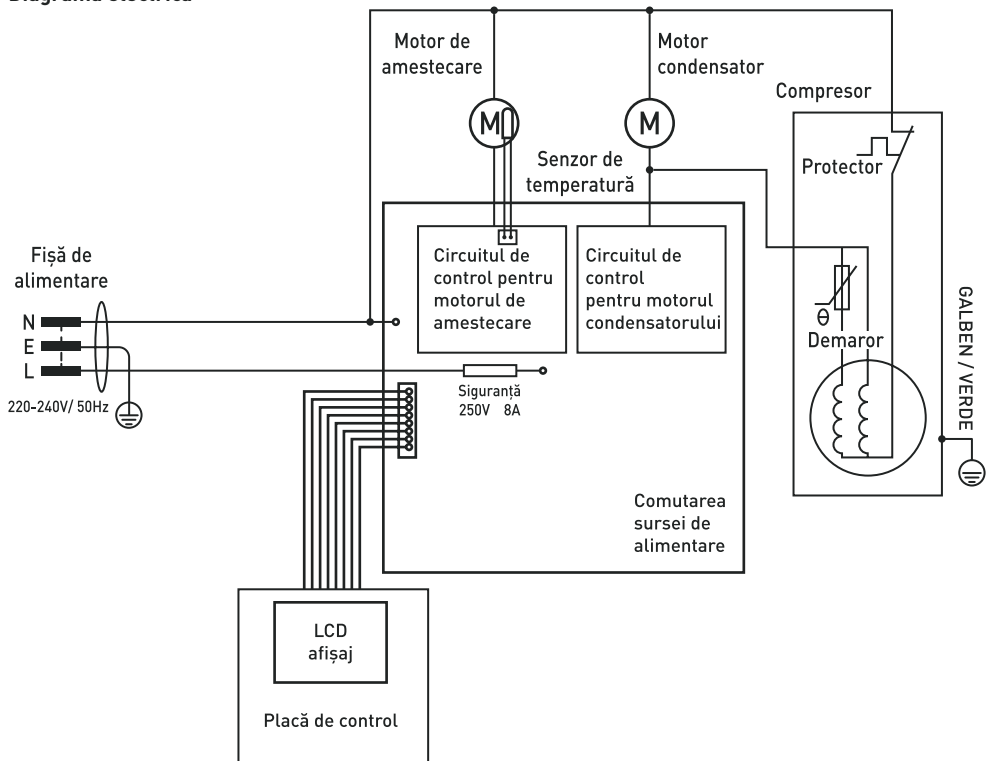
Agent frigorific utilizat și cantitate: R600a / 32g

Dimensiuni: 272x315x(H)362mm

Greutate netă: 12kg

Observație: Specificația tehnică se poate modifica fără notificare prealabilă.

Diagramă electrică



Garanție

Orice defecțiune care afectează funcționarea aparatului apărută la mai puțin de un an de la cumpărarea acestuia va fi remediată prin reparație sau înlocuire gratuită, cu condiția ca aparatul să fi fost folosit și întreținut conform instrucțiunilor nu să nu fi fost bruscat sau folosit necorespunzător în vreun fel. Drepturile dumneavoastră legale nu sunt afectate.

Dacă aparatul este în garanție, menționați când și de unde a fost cumpărat și includeți dovada cumpărării (de ex. chitanța).

Conform politicii noastre de dezvoltare continuă a produsului, ne rezervăm dreptul de a modifica produsul, ambalajul și documentația fără notificare.


Eliminarea și mediul înconjurător

La dezafearea aparatului, produsul nu trebuie aruncat împreună cu alte deșeuri menajere. În schimb, este responsabilitatea dumneavoastră să eliminați echipamentul uzat prin predarea acestuia la un punct de colectare desemnat. Nerespectarea acestei reguli poate fi penalizată în conformitate cu reglementările aplicabile privind eliminarea deșeurilor. Colectarea separată și reciclarea echipamentului dumneavoastră uzat la momentul debarasării contribuie la conservarea resurselor na-

turale și asigură realizarea reciclării într-un mod care protejează sănătatea ființelor umane și a mediului. Pentru informații suplimentare privind modul în care puteți preda deșeurile dumneavoastră în scopul reciclării, vă rugăm să contactați compania locală de colectare a deșeurilor. Producătorii și importatorii nu își asumă responsabilitatea cu privire la reciclarea, tratarea și eliminarea ecologică a deșeurilor, fie direct, fie prin intermediul unui sistem public.

Большое Вам спасибо за то, что Вы купили оборудование фирмы Hendi. Вам следует внимательно прочитать настоящую инструкцию пользователя во избежание повреждения машины в результате неправильной эксплуатации. Особенно рекомендуем ознакомиться с предупреждениями.

Правила техники безопасности

- Неправильная эксплуатация и неподходящее использование агрегата может привести к его поломке и поранить оператора.
- Это оборудование предназначено для буфета и домашнего использования.
- Оборудование следует использовать точно по назначению. Производитель не несет ответственности за повреждения, вызванные неправильной эксплуатацией или неправильным обслуживанием оборудования.
- Оборудование и электрическую штепсельную вилку следует держать вдали от воды и прочих жидкостей. Если штепсельная вилка попадет в воду, ее следует тут же вытащить из розетки электропитания и обратиться в службу сертифицированного сервиса для проверки устройства. Несоблюдение данных указаний может повлечь за собой угрозу здоровью и жизни обслуживающего персонала.
- Нельзя снимать кожух без особого разрешения.
- Нельзя класть никаких посторонних предметов вовнутрь агрегата.
- Нельзя касаться мокрыми, или влажными руками штепсельной вилки.
-  **Опасность поражения током!** Не следует самостоятельно чинить электроаппаратуру. Любые поломки и неисправности должны устраняться квалифицированным персоналом.
- **Никогда не следует пользоваться поврежденной электроаппаратурой.** Поврежденное устройство нужно отсоединить от электросети и обратиться к продавцу.
- **Предупреждение:** не следует погружать электрических деталей в воду, или иные жидкости. Не омыwać в струе воды.
- Регулярно проверять вилку и провод электропитания на предмет повреждений. Поврежденные вилку или провод передать для ремонта в сервисную точку, или обратиться к квалифицированному электрику во имя предотвращения опасности травм.
- Удостовериться, что провод электропитания не касается острых и горячих предметов; держать электропровод вдали от открытого огня. Для того, чтобы вынуть вилку из розетки всегда нужно тянуть за вилку, а не за электропровод.
- Защитить провод электропитания (удлинитель) от случайного выпадения из розетки. Электропровод прокладывать так, чтобы случайно не зацепиться за него.
- Непрестанно наблюдать за работающей электроаппаратурой.
- **Предупреждение!** Если вилка находится в розетке – это означает, что электроаппаратура считается подключенной к электропитанию.
- Перед тем, как вынуть вилку из розетки, электроаппаратуру следует выключить!
- Никогда нельзя переносить, передвигать электроаппаратуру держа за электропровод.

- Не использовать никаких деталей, аксессуаров, которые не поставляются вместе с этой электроаппаратурой.
- Электроаппаратуру следует подключать исключительно к розетке, в которой имеется напряжение и частота, указанную на щитке электроаппаратуры.
- Вилку следует вставлять в розетку, расположенную в удобном и легкодоступном месте, так чтобы в случае аварии можно бы ее немедленно вынуть. Для полного обесточивания электроаппаратуры ее следует отсоединить от электропитания; для этого следует вынуть вилку, находящуюся на конце провода электропитания, из розетки.
- Перед тем, как вынуть вилку всегда следует помнить о том, чтобы сначала выключить электроаппаратуру!
- Не следует использовать детали, аксессуары, не рекомендуемые производителем данной электроаппаратуры, т.к. использование таких деталей, аксессуаров может создать для пользователя угрозу его здоровью и жизни, а также может привести к поломке электроаппаратуры. Следует всего использовать оригинальные детали, аксессуары.
- Без надлежащего контроля или предварительного обучения эксплуатации оборудования проводимого лицом, отвечающим за безопасную эксплуатацию, оборудованием не могут пользоваться ни дети, ни лица с ограниченными физическими, или психическими возможностями, ни лица, которые не обладают необходимым опытом работы и знаниями в данной области.
- Ни в коем случае нельзя допускать к использованию электроаппаратуры детей.
- Электроаппаратуру следует хранить в месте недоступном для детей.
- Нельзя разрешать детям использовать электроаппаратуру в качестве игрушки.
- Всегда электроаппаратуру следует отсоединить от электропитания, если оставляем ее без надзора, перед монтажом, демонтажем и чисткой.
- Нельзя оставлять работающую электроаппаратуру без надзора.

Специальные правила безопасности

- Это устройство предназначено только для изготовления мороженого, сорбета и замороженного йогурта. Любой другой вариант использования может привести к повреждению устройства или травме.
- Устройство следует использовать только так, как описано в настоящем руководстве.
- Эксплуатацию должен осуществлять обученный персонал кухни ресторана, столовой или бара, и т. д.



Внимание! Горячая поверхность! При использовании поверхность горячая. Прикасаться можно только к панели управления.



Внимание! Опасность пожара! В устройстве используется хладагент R600a. Это экологически чистый легковоспламеняющийся хладагент. Во время транспортировки и установки устройства следует соблюдать особую осторожность, чтобы не повредить какие-либо части холодильной системы. Утечка хладагента может привести к повреждению глаз.

- В данном оборудовании используется пенный хладагент C_5H_{10} . Это очень легковоспламеняющееся вещество.
- Не следует помещать устройство на нагревающийся предмет (бензиновую, электрическую, угольную плиту и т. п.). Устройство следует держать вдали от горячей поверхности и открытого огня. Устройство всегда следует использовать на ровной, стабильной, чистой, теплоизолированной и сухой поверхности.
- Данное устройство не предназначается для использования с внешним таймером или отдельной системой дистанционного управления.
- Во время работы не следует прикасаться руками или кухонными приборами к внутренней части контейнера для мороженого. При прикосновении к мешалке возможны травмы рук или пальцев или повреждение устройства.
- Никогда не следует удалять мешалку во время работы устройства.
- **ПРЕДУПРЕЖДЕНИЕ:** Все вентиляционные отверстия в корпусе устройства должны быть открыты.
- **ПРЕДУПРЕЖДЕНИЕ:** Не используйте для ускорения процесса размораживания механические устройства или любые другие средства, кроме рекомендованных производителем.
- **ПРЕДУПРЕЖДЕНИЕ:** Не допускать повреждения охлаждающего контура.
- Не хранить в устройстве взрывоопасные вещества, например аэрозольные баллоны с горючим содержимым.
- Не надевать свободную одежду, например шарфы и т. д. во время работы с устройством, подвязывать длинные волосы.
- Обеспечить вокруг устройства свободное пространство не менее 10 см для целей вентиляции.
- Не допускать удары твердых предметов о наружную поверхность. Не использовать водяную струю, производить очистку водяным или паровым очистителем, потому что детали намокнут и возникнет вероятность поражения током.
- Не подвергать воздействию прямых солнечных лучей. Избежать механических повреждений и вибрации.
- **Осторожно!** При необходимости следует надежно закрепить кабель питания, чтобы случайно не выдернуть его и не допустить контакта с нагревающейся поверхностью.
- Устройство не следует очищать или помещать на хранение, пока оно полностью не остынет.
- Никакие детали устройства нельзя мыть в посудомоечной машине.
- Данное устройство предназначено для использования в бытовых целях, например:
 - 1) в кухнях магазинов, офисов и других рабочих помещений;
 - 2) на фермах, клиентами в отелях, мотелях и других жилых средах;
 - 3) в мини-гостиницах;
 - 4) в ресторанах и других местах, кроме розничной торговли.
- Никакие детали устройства нельзя мыть в посудомоечной машине.

Назначение устройства

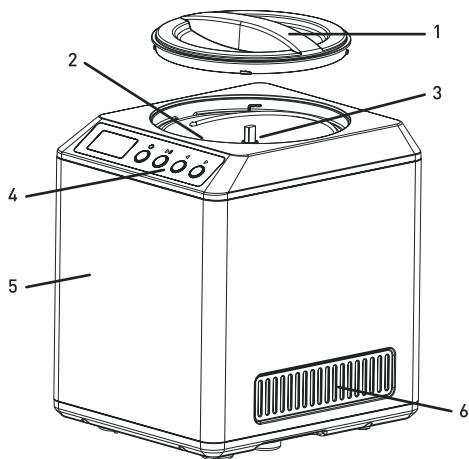
- Это оборудование предназначено для буфета и домашнего использования.
- Это устройство предназначено только для изготовления мороженого, сорбета и замороженного йогурта. Использование устройства для любых других целей может привести к повреждению или травме тела.
- Использование устройства для любых других целей будет рассматриваться, как использование не по назначению. Пользователь будет нести исключительную ответственность за неправильное использование устройства.

Монтаж заземления

Миксер является устройством I класса защиты и должен быть заземлен. Заземление снижает риск поражения электрическим током за счет использования отводящего провода. Устройство

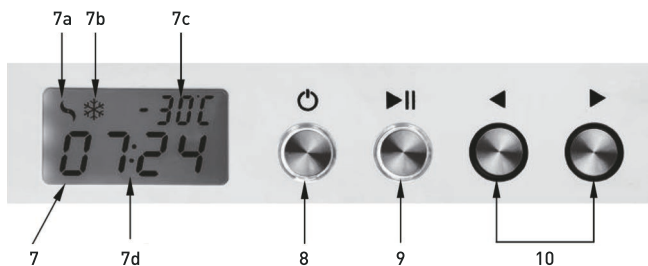
оснащено проводом заземления с заземляющей вилкой. Вилка должна быть подключена к розетке переменного тока, которая надлежащим образом установлена и заземлена.

Обзор основных частей устройства



1. Прозрачная крышка
2. Съёмный контейнер для мороженого
3. Мешалка
4. Панель управления
5. Корпус
6. Вентиляционные отверстия

Основные функции панели управления



7. Цифровой дисплей: показывает следующие сообщения во время работы:
- 7a.- Работает мотор, вращающий мешалку
 - 7b.- Операция охлаждения
 - 7c.- Температура внизу съемного контейнера (Диапазон: -10°C ~-35°C)
 - 7d.- Таймер (по умолчанию: 90 минут). Оставшееся время операции приготовления мороженого
8. Кнопка РЕЖИМ ОЖИДАНИЯ/ВЫКЛ: Нажмите для включения режима ожидания или выключения устройства
9. Кнопка ПУСК/ПАУЗА: Нажмите для запуска операции приготовления мороженого. Нажмите еще раз для паузы.
10. Кнопки установки времени
- ◀ : уменьшение времени работы
 - ▶ : увеличение времени работы

Подготовка к первому использованию

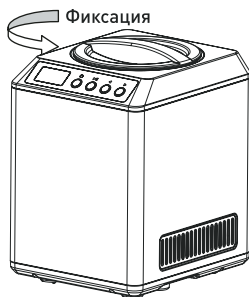
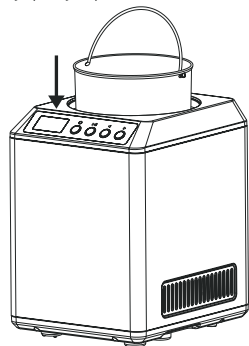
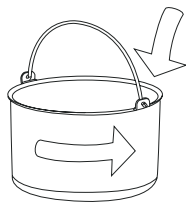
- Снимите защитную упаковку и обертку.
- Убедитесь, что устройство не повреждено, и все аксессуары на месте (например, пластиковый совок, мешалка, контейнер для мороженого, измерительная чашка). При наличии повреждений или неполной доставке. Обратитесь к поставщику (См. == > Гарантия).
- Перед использованием следует очистить устройство (См. == > Чистка и обслуживание).
- Убедитесь, что устройство полностью сухое.
- Поместите устройство на горизонтальную устойчивую термостойкую поверхность, куда не могут попасть брызги воды.
- Убедитесь в наличии достаточной вентиляции. Свободное пространство вокруг устройства должно составлять не менее 10 см.

Работа

Предупреждение: Убедитесь, что устройство отключено от источника питания.

Подготовка ингредиентов для приготовления мороженого

- Прежде всего, подготовьте все ингредиенты для приготовления мороженого согласно рекомендованному рецепту.
- Затем поместите внутрь устройства съемный контейнер.
- Теперь установите и зафиксируйте прозрачную крышку (1), повернув ее против часовой стрелки. Следуйте маркировке на наружной стороне крышки (1).



- После этого поместите мешалку в центр съемного контейнера.
- Затем заполните контейнер для мороженого (2) подготовленными ингредиентами. Ингредиенты следует заранее хорошо охладить (примерно до 10°C). Ингредиенты не должны быть теплыми или горячими.

Примечание: Чтобы избежать разлива мороженого из контейнера во время работы, заполняйте контейнер для мороженого примерно на 60% от общей емкости. Мороженое увеличится в объеме во время работы и заполнит контейнер целиком.

- Подключите штекер к подходящему одиночному источнику электрического питания. Вы услышите короткий гудок.
- Перейдите в РЕЖИМ ОЖИДАНИЯ, нажав кнопку РЕЖИМ ОЖИДАНИЯ/ВЫКЛ (8).

Операция приготовления мороженого

- Установите требуемое время, нажав кнопку (10). (Диапазон времени: 5 ~ 90 минут).
Примечание. Если никакие кнопки не будут нажаты, устройство будет по умолчанию использовать время 90 минут.
- Затем нажмите кнопку ПУСК/ПАУЗА (9), чтобы начать приготовление мороженого. Нажмите еще раз для паузы.
- Мешалка начнет вращение и начнется охлаждение для приготовления мороженого.
- Индикаторы (7a) и (7b) будут мигать. На дисплее (7) будет показана температура внизу контейнера (7c) и остающееся время (7d).
- Когда будет достигнуто установленное время, индикаторы (7a) и (7b) выключатся. Мешалка прекратит вращение, и мотор остановится.
- Нажмите кнопку РЕЖИМ ОЖИДАНИЯ/ВЫКЛ (8) для выключения устройства, отключите его от сети, возьмите контейнер с мороженым и наслаждайтесь им.
- Если после достижения установленного времени мороженое не имеет нужной консистенции, вы можете увеличить время обработки, нажав кнопку увеличить / уменьшить время (10) или добавить ингредиенты.

Добавление ингредиентов

- Во время процедуры приготовления мороженого вы можете добавлять в него дополнительные ингредиенты по своему вкусу, например фрукты, шоколадную крошку, изюм, орехи, миндаль и т. д.
- Для этого просто откройте прозрачную крышку (1) и аккуратно засыпьте ингредиенты внутрь.
- После добавления ингредиентов закройте крышку (2).

Постоянное охлаждение

Эта функция позволяет пользователю подать мороженое позднее.

- После достижения установленного времени мешалка прекратит вращение, и мотор остановится.
- На дисплее в течение около 10 минут будут поочередно мигать надписи 00:00 / COOL, и индикатор температуры [7d] будет отображаться постоянно.
- Это означает, что устройство находится в режиме Сохранение охлаждения. Функция Сохранение охлаждения будет работать в течение около 2 часов.
- По прошествии 2 часов устройство автоматически ВЫКЛЮЧИТСЯ, подсветка дисплея отключится.

Защита мотора

- Если мороженое слишком твердое, мотор будет заблокирован, мешалка перестанет вращаться, и процесс приготовления мороженого будет прерван.
- Устройство автоматически выключится для предотвращения перегрева мотора.
- Отключите устройство от электросети и дайте ему полностью остыть, прежде чем снова запустить его.
- Проверьте рецепт и удалите ингредиенты из контейнера, поскольку они не соответствуют рецепту.

Извлечение и подача мороженого

- Откройте крышку устройства (1) и извлеките контейнер для мороженого (2) из устройства. Переместите мороженое в соответствующий контейнер или чашки для мороженого. Примечание. Используйте только пластмассовые или деревянные мешалки (входят в комплект), чтобы не повредить контейнер для мороженого.
- Храните мороженое в запечатанном контейнере при температуре около -12°C в течение не более 1 недели. Промаркируйте контейнер, указав дату изготовления и вкус.
- **Внимание!** Мороженое — хорошая среда для роста бактерий. Мороженое, устройство и контейнеры для хранения мороженого должны быть абсолютно чистыми и сухими. Никогда не замораживайте заново растаявшее или частично растаявшее мороженое.

Предлагаемые рецепты

1. Ванильное мороженое
 - Молоко: 250 мл
 - Сливки: 500 мл
 - Сахар 110 г.
 - 1 ~ 2 чайных ложки ванильного экстракта
2. Шоколадное мороженое
 - Молоко: 250 мл
 - Сливки: 500 мл
 - Сахар 50 г
 - 100 г горького или полусладкого шоколада (вашего любимого)
 - 1 чайная ложка ванильного экстракта

Примечание: Эти рецепты приведены исключительно для справки.

Чистка и обслуживание

Внимание! Перед чисткой и помещением на хранение всегда отключайте устройство из розетки и дайте ему остыть.

Чистка

- Никогда не погружайте устройство в воду или другие жидкости.
- Очищайте охлажденную наружную поверхность влажной тряпкой или губкой, смоченной слабым мыльным раствором.
- Никогда не используйте абразивные губки или

моющие средства, проволочные губки или металлические приборы для очистки внутренних или наружных частей устройства.

Примечание. Никакие детали устройства нельзя мыть в посудомоечной машине.

Хранение

- Перед помещением на хранение необходимо отключить устройство от электрической сети и дать ему полностью остыть.

- Устройство следует хранить в сухом, чистом и прохладном месте.

Диагностика и устранение неисправностей

Если устройство не работает надлежащим образом, используйте следующую таблицу для поиска решения. Если вы не можете решить проблему,

свяжитесь с поставщиком / сервисным специалистом.

Проблемы	Возможная причина	Возможное решение
Устройство не включается.	- Штекер не подключен в розетку. - Нажмите кнопку Режим ожидания/ВЫКЛ (1).	- Убедитесь, что штекер правильно подключен в розетку. - Нажмите кнопку Режим ожидания/ВЫКЛ (1).
Мешалка прекращает вращение	- Мороженое слишком твердое, и вращение остановлено для предотвращения перегрева.	- Отключите устройство от электросети и дайте ему полностью остыть, прежде чем снова запускать его. - Выбросьте ингредиенты и проверьте рецепт.

RU

Техническая спецификация

№ позиции: 274231

Рабочее напряжение и частота: 220- 240В~ 50 Гц

Номинальная выходная мощность: 180Вт

Емкость контейнера: прил. 2,0 л

Объем изготавливаемого мороженого: прил. 1,3 л

Диапазон температур: - 10°C ~ - 35°C

Настройки таймера: 5 ~ 90 мин

(Лопасть для смешивания вращается до тех пор, пока чаша не заполнится максимально допустимым количеством мороженого или пока цикл не будет завершен по таймеру.)

Класс защиты: класс I

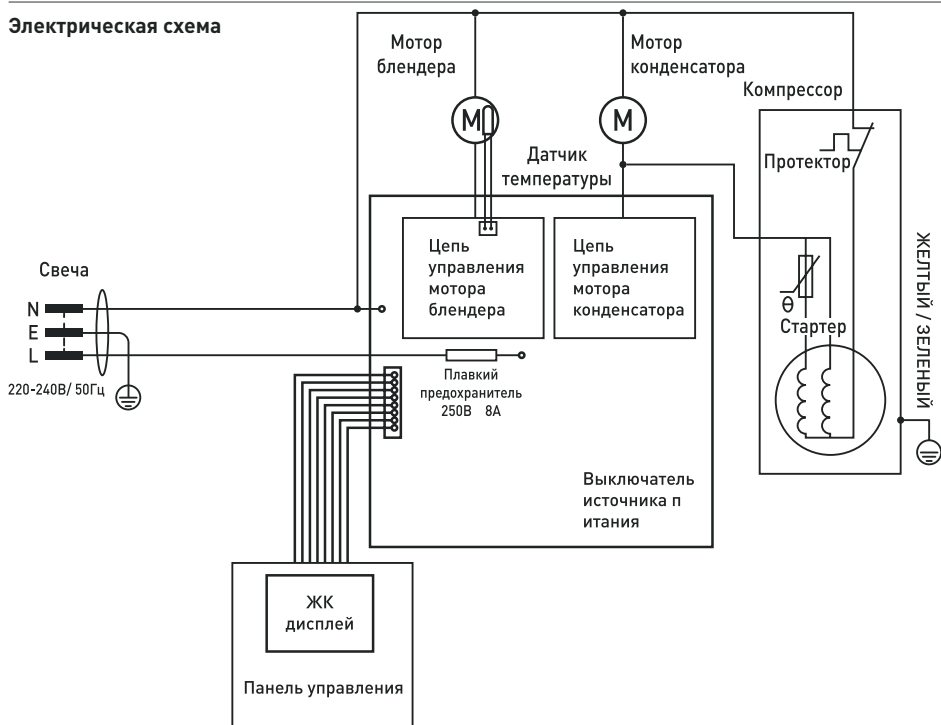
Используемый хладагент и количество: R600a / 32g

Размеры: 272x315x(H)362мм

Масса нетто: 12кг

Примечание: Технические характеристики могут быть изменены без предварительного уведомления.

Электрическая схема



Гарантия

Любая недоделка или поломка, которая влечет за собой неправильную работу устройства, которая будет выявлена в течение первого года от даты покупки, будет устранена бесплатно, или же все устройство будет заменено новым, если оно эксплуатировалось и обслуживалось согласно инструкции по обслуживанию и не использовалось неправильно, или в разрез с назначением. Данное положение ни коей мере не нарушает иных прав потребителя, изложенных в законо-

дательстве. В случае заявления устройства в ремонт или на замену в рамках гарантии, следует указать место и дату покупки устройства и приложить счет, или чековую квитанцию.

Согласно нашей политике совершенствования наших продуктов оставляем за собой право на ввод изменений в конструкцию, упаковку и в технические параметры, указываемые в технической документации без предупреждения.

Утилизация и защита окружающей среды

В случае вывода оборудования из эксплуатации, продукт нельзя утилизировать вместе с другими бытовыми отходами. Пользователь несет ответственность за передачу оборудования в соответствующий пункт приёма техники бывшей в употреблении. Несоблюдение вышеуказанного положения может привести к наложению штрафов в соответствии с действующими правилами в отношении утилизации отходов. Селективный сбор и утилизация использованного оборудования способствуют сохранению природных

ресурсов и обеспечивают рециркуляцию таким образом, который не вреден для здоровья и окружающей среды. Для получения дополнительной информации о том, где можно отдать использованное оборудование для утилизации, обратитесь в местную компанию по сбору отходов. Производитель и импортер не несут ответственности за рециркуляцию и переработку отходов экологически безопасным способом, как непосредственно, так и в рамках государственной системы.

Αγαπητέ πελάτη,

Ευχαριστούμε που αγοράσατε αυτό το προϊόν Arctic. Διαβάστε προσεκτικά το παρόν εγχειρίδιο πριν συνδέσετε τη συσκευή, προκειμένου να προλάβετε πιθανή βλάβη που μπορεί να οφείλεται σε λαν- θασμένη χρήση. Διαβάστε ιδίως τους κανονισμούς ασφαλείας πολύ προσεκτικά.

Κανονισμοί ασφαλείας


- Η συσκευή ενδείκνυται για χρήση σε μπουφέ και οικιακή χρήση.
- Η συσκευή πρέπει να χρησιμοποιείται μόνο για τον σκοπό για τον οποίο προορίζεται και σχεδιάστηκε. Ο κατασκευαστής δεν ευθύνεται για τυχόν ζημιές που προκλήθηκαν από εσφαλμένη λειτουργία και ακατάλληλη χρήση.
- Κρατήστε τη συσκευή και το βύσμα μακριά από νερό και άλλα υγρά. Σε περίπτωση που η συσκευή πέσει μέσα σε νερό, αφαιρέστε αμέσως το βύσμα από την πρίζα και μην τη χρησιμοποιήσετε μέχρι να ελεγχθεί η συσκευή από πιστοποιημένο τεχνικό. Η μη τήρηση των οδηγιών ενδέχεται να προκαλέσει κίνδυνο προς τη ζωή.
- Μην επιχειρήσετε ποτέ να ανοίξετε μόνοι σας το περίβλημα της συσκευής.
- Μην εισάγετε αντικείμενα στο περίβλημα της συσκευής.
- Μην αγγίζετε το βύσμα με υγρά χέρια.
- ⚡ **Κίνδυνος ηλεκτροπληξίας!** Μην επιχειρήσετε να επισκευάσετε μόνοι σας τη συσκευή. Σε περίπτωση δυσλειτουργίας, οι επισκευές πρέπει να διενεργούνται μόνο από εξειδικευμένο προσωπικό.
- **Μην χρησιμοποιείτε ποτέ συσκευή με βλάβη!** Σε περίπτωση βλάβης, αποσυνδέστε τη συσκευή από την πρίζα και επικοινωνήστε με τον πωλητή.
- **Προειδοποίηση!** Μην βυθίζετε τα ηλεκτρικά μέρη της συσκευής σε νερό ή άλλα υγρά. Μην βάζετε ποτέ τη συσκευή κάτω από τρεχούμενο νερό.
- Ελέγχετε τακτικά το βύσμα και το καλώδιο τροφοδοσίας για τυχόν ζημιές. Εάν το βύσμα ή το καλώδιο τροφοδοσίας είναι κατεστραμμένο, πρέπει να αντικατασταθεί από τεχνικό σέρβις ή εξειδικευμένα άτομα για την αποφυγή τυχόν κινδύνου ή τραυματισμού.
- Βεβαιωθείτε ότι το καλώδιο δεν έρχεται σε επαφή με αιχμηρά ή θερμά αντικείμενα και κρατήστε το μακριά από φωτιά. Για να βγάλετε το βύσμα από την πρίζα, να τραβάτε πάντα το βύσμα και όχι το καλώδιο.
- Βεβαιωθείτε ότι το καλώδιο (ή το καλώδιο επέκτασης) είναι τοποθετημένο έτσι ώστε να μην προκαλέσει κίνδυνο να σκοντάψει κανείς.
- Να προσέχετε πάντα τη συσκευή κατά τη χρήση.
- **Προειδοποίηση!** Όσο το βύσμα είναι στην πρίζα, η συσκευή είναι συνδεδεμένη στην πηγή τροφοδοσίας.
- Απενεργοποιήστε τη συσκευή πριν τραβήξετε το βύσμα από την πρίζα.
- Ποτέ μην μεταφέρετε τη συσκευή από το καλώδιο.
- Μην χρησιμοποιείτε συσκευές που δεν παρέχονται μαζί με τη συσκευή.
- Συνδέστε τη συσκευή μόνο σε ηλεκτρική πρίζα με τάση και συχνότητα που αναφέρονται στην ετικέτα της συσκευής.
- Συνδέστε το βύσμα σε μια εύκολα προσβάσιμη ηλεκτρική πρίζα έτσι ώστε σε περίπτωση


έκτακτης ανάγκης η συσκευή να μπορεί να αποσυνδεθεί αμέσως. Για να απενεργοποιήσετε πλήρως τη συσκευή, βγάλτε το βύσμα από την πρίζα.

- Απενεργοποιείτε πάντα τη συσκευή πριν αποσυνδέσετε το βύσμα.
- Μην χρησιμοποιείτε ποτέ εξαρτήματα διαφορετικά από αυτά που συνιστώνται από τον κατασκευαστή. Σε αντίθετη περίπτωση, μπορεί να δημιουργηθεί κίνδυνος για τον χρήστη και να προκληθεί ζημιά στη συσκευή. Χρησιμοποιείτε μόνο αυθεντικά εξαρτήματα και αξεσουάρ.
- Αυτή η συσκευή δεν προορίζεται για χρήση από άτομα (συμπεριλαμβανομένων παιδιών) με μειωμένες σωματικές, αισθητήριες ή διανοητικές ικανότητες ή με έλλειψη πείρας και γνώσης.
- Αυτή η συσκευή δεν πρέπει, σε καμία περίπτωση, να χρησιμοποιείται από παιδιά.
- Κρατήστε τη συσκευή και το καλώδιο μακριά από παιδιά.
- Να αποσυνδέετε πάντα τη συσκευή από το ρεύμα εάν αφήνεται χωρίς επιτήρηση ή δεν χρησιμοποιείται και πριν από εργασίες συναρμολόγησης, αποσυναρμολόγησης ή καθαρισμού.
- Μην αφήνετε ποτέ τη συσκευή χωρίς επιτήρηση ενώ βρίσκεται σε λειτουργία.

Ειδικοί κανονισμοί ασφαλείας

- Αυτή η συσκευή έχει σχεδιαστεί μόνο για την παρασκευή παγωτού, σορμπέ και κατεψυγμένου γιαουρτιού. Οποιαδήποτε άλλη χρήση μπορεί να προκαλέσει ζημιά στη συσκευή ή τραυματισμό.
- Χρησιμοποιήστε τη συσκευή μόνο όπως περιγράφεται στο παρόν εγχειρίδιο.
- Αυτή η συσκευή θα πρέπει να χρησιμοποιείται από εκπαιδευμένο προσωπικό στην κουζίνα εστιατορίου, σε κυλικεία ή από προσωπικό μπαρ, κλπ.

-  **Προσοχή! Καυτή επιφάνεια!** Η επιφάνεια είναι καυτή όταν χρησιμοποιείται. Αγγίξτε μόνο τον πίνακα ελέγχου.

-  **Προσοχή! Κίνδυνος πυρκαγιάς!** Ως ψυκτικό μέσο χρησιμοποιείται το R600a, που είναι εύφλεκτο, φιλικό προς το περιβάλλον. Κατά τη μεταφορά και την εγκατάσταση της συσκευής, προσέξτε να μην υποστούν βλάβη τα εξαρτήματα του συστήματος ψύξης. Η διαρροή ψυκτικού μπορεί να προκαλέσει οφθαλμολογική βλάβη.

- Ο παράγοντας εμφύσησης αφρού που χρησιμοποιείται σε αυτή τη συσκευή είναι C₅H₁₀ Είναι εξαιρετικά εύφλεκτο.
- Μην τοποθετείτε τη συσκευή σε ένα θερμαντικό στοιχείο (βενζίνη, ηλεκτρική κουζίνα, εστία κάρβουνων κ.λπ.). Κρατήστε τη συσκευή μακριά από οποιεσδήποτε θερμές επιφάνειες και ανοιχτές εστίες φλόγας. Χρησιμοποιείτε πάντα τη συσκευή σε επίπεδη, σταθερή, καθαρή, ανθεκτική στη θερμότητα και στεγνή επιφάνεια.
- Αυτή η συσκευή δεν προορίζεται για λειτουργία μέσω εξωτερικού χρονοδιακόπτη ή ξεχωριστού συστήματος τηλεχειρισμού.
- Κατά τη διάρκεια της λειτουργίας, μην τοποθετείτε ποτέ τα χέρια σας ή τα σκεύη κουζίνας μέσα στο δοχείο παγωτού. Αν αγγίξετε τον αναδευτήρα μπορεί να τραυματίσετε τα χέρια σας

και τα δάχτυλά σας ή να προκληθεί βλάβη στη συσκευή.

- Μην αφαιρείτε ποτέ τον αναδευτήρα κατά τη διάρκεια της λειτουργίας της συσκευής.
- **ΠΡΟΕΙΔΟΠΟΙΗΣΗ:** Απομακρύνετε όλα τα εμπόδια γύρω από όλα τα ανοίγματα εξαερισμού της συσκευής.
- **ΠΡΟΕΙΔΟΠΟΙΗΣΗ:** Μην χρησιμοποιείτε μηχανικές συσκευές ή άλλα μέσα για να επιταχύνετε τη διαδικασία απόψυξης, εκτός από εκείνες που συνιστώνται από τον κατασκευαστή.
- **ΠΡΟΕΙΔΟΠΟΙΗΣΗ:** Μην καταστρέψετε το κύκλωμα ψυκτικού μέσου.
- Μην αποθηκεύετε στη συσκευή εκρηκτικές ουσίες, όπως κονσέρβες αεροζόλ με εύφλεκτο προωθητικό υλικό.
- Μην φοράτε χαλαρά ρούχα όπως φουλάρι κλπ. Τα μακριά μαλλιά θα πρέπει να δένονται κατά τη διάρκεια της λειτουργίας.
- Αφήνετε απόσταση τουλάχιστον 10 cm γύρω από τη συσκευή για αερισμό κατά τη χρήση.
- Μην χρησιμοποιείτε σκληρά σκεύη για να χτυπήσετε την εξωτερική επιφάνεια. Μην χρησιμοποιείτε πίδακα νερού, μην ξεπλένετε απευθείας με νερό ή καθαριστικό ατμού, επειδή τα τμήματα της συσκευής θα βραχούν και μπορεί να προκληθεί ηλεκτροπληξία.
- Μην την εκθέτετε σε άμεσο ηλιακό φως. Αποφύγετε μηχανικούς κραδασμούς και δονήσεις.
- Προσοχή! Ασφαλίστε το καλώδιο τροφοδοσίας εάν είναι απαραίτητο για να αποφύγετε τυχόν τραυματισμό ή επαφή με την επιφάνεια θέρμανσης.
- Μην καθαρίζετε και μην αποθηκεύετε τη συσκευή εκτός εάν έχει κρυώσει εντελώς.
- Αυτή η συσκευή προορίζεται για χρήση σε οικιακές και παρόμοιες εφαρμογές, όπως
 - 1) Χώρους κουζίνας σε καταστήματα, γραφεία και άλλα περιβάλλοντα εργασίας,
 - 2) Αγκοκτήματα και πελάτες σε ξενοδοχεία, μοτέλ και άλλα περιβάλλοντα διαμονής,
 - 3) Καταλύματα πρωινού και διαμονής,
 - 4) Κέτερινγκ και παρόμοιες μη λιανικές εφαρμογές.
- Κανένα μέρος της συσκευής δεν είναι κατάλληλο για πλύσιμο σε πλυντήριο πιάτων.

Προβλεπόμενη χρήση

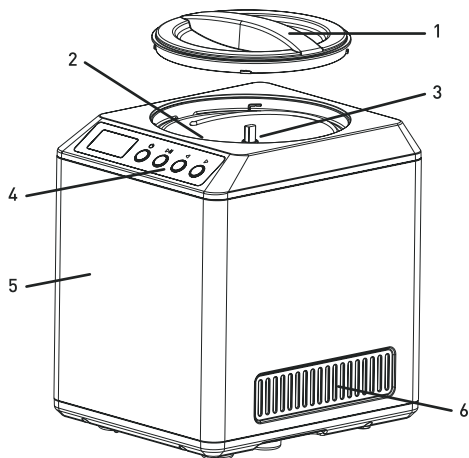
- Η συσκευή ενδείκνυται για χρήση σε μπουφέ και οικιακή χρήση.
- This appliance is designed only for making ice-cream, sorbet and frozen yoghurt. Οποιαδήποτε άλλη χρήση μπορεί να προκαλέσει ζημιά στη συσκευή ή τραυματισμό.
- Η χρήση της συσκευής για οποιονδήποτε άλλο σκοπό θεωρείται εσφαλμένη. Ο χρήστης είναι αποκλειστικά υπεύθυνος για την μη κατάλληλη χρήση της συσκευής.

Γείωση

Αυτή η συσκευή ταξινομείται στην κλάση προστασίας I και πρέπει να συνδέεται με γείωση προστασίας. Η γείωση μειώνει τον κίνδυνο ηλεκτροπληξίας παρέχοντας ένα καλώδιο διαφυγής για το ηλεκτρικό ρεύμα.

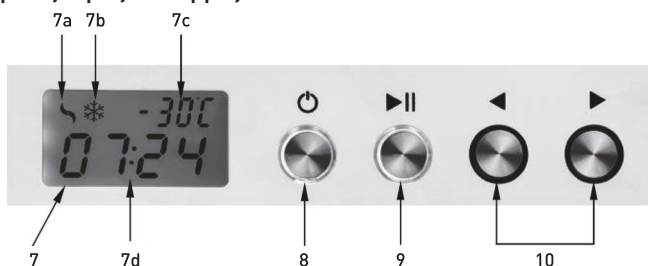
Αυτή η συσκευή είναι εξοπλισμένη με καλώδιο που φέρει καλώδιο γείωσης με βύσμα γείωσης. Το βύσμα πρέπει να είναι συνδεδεμένο σε σωστά τοποθετημένη και γειωμένη πρίζα.ed.

Επισκόπηση κύριων τμημάτων της συσκευής



1. Διαφανές καπάκι
2. Αφαιρούμενο δοχείο παγωτού
3. Αναδευτήρας
4. Πίνακας ελέγχου
5. Περιβλήμα
6. Οπές αερισμού

Πίνακας ελέγχου για τις κύριες λειτουργίες



7. Ψηφιακή οθόνη: θα εμφανίσει τα ακόλουθα μηνύματα κατά τη λειτουργία:
 - 7a.- Κινητήρας που λειτουργεί για την περιστροφή του αναδευτήρα
 - 7b.- Λειτουργία ψύξης
 - 7c.- Θερμοκρασία στο κάτω μέρος του αφαιρούμενου δοχείου (Εύρος: -10°C ~ -35°C)
 - 7d.- Χρονοδιακόπτης (Προεπιλογή: 90 λεπτά). Χρόνος που απομένει κατά τη διάρκεια της δημιουργίας παγωτού
8. Κουμπί ANAMONH/ΑΠΕΝΕΡΓ.: Πατήστε για να μεταβείτε στη λειτουργία ANAMONH ή ΑΠΕΝΕΡΓ. της συσκευής
9. Κουμπί ΕΝΑΡΞΗ/ΠΑΥΣΗ: Πιέστε για να ξεκινήσετε τη λειτουργία δημιουργίας παγωτού. Πατήστε ξανά για παύση.
10. Κουμπιά ρύθμισης χρόνου
 - ◀: μειώνει το χρόνο λειτουργίας
 - ▶: αυξάνει το χρόνο λειτουργίας

Προετοιμασία πριν την πρώτη χρήση

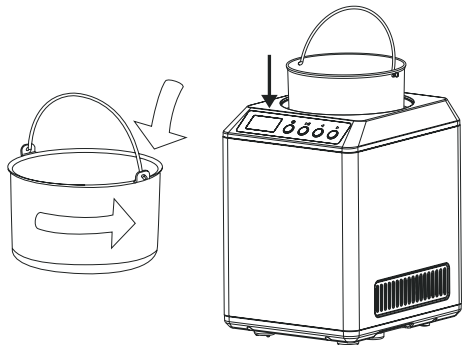
- Αφαιρέστε κάθε προστατευτική συσκευασία.
- Ελέγξτε για να βεβαιωθείτε ότι η συσκευή είναι άθικτη με όλα τα εξαρτήματα (π.χ. πλαστική σέσουλα, αναδευτήρας, δοχείο παγωτού, κύπελλο μέτρησης). Σε περίπτωση ελλιπούς παράδοσης και ζημιών. Επικοινωνήστε με τον προμηθευτή (βλ. ==> Εγγύηση).
- Καθαρίστε όλα τα μέρη της συσκευής όπως περιγράφεται (βλ. ==> Καθαρισμός και συντήρηση).
- Βεβαιωθείτε ότι η συσκευή είναι εντελώς στεγνή.
- Τοποθετήστε τη συσκευή σε οριζόντια, σταθερή και ανθεκτική στη θερμότητα επιφάνεια, η οποία είναι ασφαλής από πιτσιλισματα νερού.
- Βεβαιωθείτε ότι υπάρχει επαρκής εξαερισμός. Διατηρήστε ελάχιστη απόσταση 10 cm γύρω από τη συσκευή.

Λειτουργία

Προειδοποίηση: Βεβαιωθείτε ότι η συσκευή είναι αποσυνδεδεμένη από το ηλεκτρικό.

Προετοιμασία των συστατικών της παρασκευής παγωτού

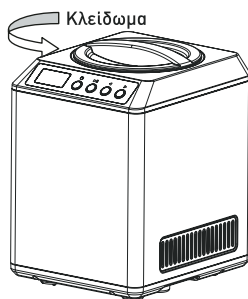
- Πρώτα, προετοιμάστε όλα τα συστατικά για να φτιάξετε το παγωτό σύμφωνα με τη συνιστώμενη συνταγή.
- Στη συνέχεια, τοποθετήστε το αφαιρούμενο δοχείο στη συσκευή.
- Τοποθετήστε και ασφαλίστε το διαφανές καπάκι [1] περιστρέφοντάς το αριστερόστροφα. Δείτε τη σήμανση στο εξωτερικό του καπακιού [1].



- Στη συνέχεια, τοποθετήστε τον αναδευτήρα στο κέντρο του αφαιρούμενου δοχείου.
- Στη συνέχεια, γεμίστε το δοχείο παγωτού [2] με τα προετοιμασμένα συστατικά. Τα συστατικά θα πρέπει να έχουν κρυώσει καλά (περίπου 10° C). Δεν πρέπει να είναι ζεστά ή καυτά.
Σημείωση: Για να αποφύγετε διαρροή παγωτού από το δοχείο παγωτού κατά τη διάρκεια της λειτουργίας, γεμίστε το δοχείο παγωτού σε έως και 60% της συνολικής του χωρητικότητας. Το παγωτό θα διογκωθεί κατά τη λειτουργία και θα γεμίσει ολόκληρο το δοχείο.

Δημιουργία παγωτού

- Ρυθμίστε το χρόνο πιέζοντας το κουμπι [10]. (Χρονοδιακόπτης: 5 ~ 90 λεπτά).
Σημείωση: Η συσκευή ξεκινά από την προεπιλογή των 90 λεπτών, αν δεν πατηθεί κάποιο κουμπι.
- Στη συνέχεια, πατήστε το πλήκτρο ΕΝΑΡΞΗ/ΠΑΥΣΗ (9) για να ξεκινήσετε τη λειτουργία δημιουργίας παγωτού. Πατήστε ξανά για παύση.
- Ο αναδευτήρας ξεκινάει να περιστρέφεται και η λειτουργία ψύξης ξεκινάει για την παραγωγή παγωτού.
- Οι ενδείξεις [7a] και [7b] θα αναβοσβήνουν. Η θερμοκρασία στο κάτω μέρος του δοχείου [7γ] και ο υπολειπόμενος χρόνος [7δ] θα εμφανιστούν στην οθόνη [7].
- Στον καθορισμένο χρόνο, οι ενδείξεις [7a] και [7b] θα σβήσουν. Ο αναδευτήρας θα σταματήσει να περιστρέφεται & ο κινητήρας θα σταματήσει να λειτουργεί.
- Πιέστε το πλήκτρο ΑΝΑΜΟΝΗ/ΑΠΕΝΕΡΓ. [8] για να σβήσετε τη συσκευή και να την αποσυνδέσετε από τη ρίζα, αφαιρέστε το δοχείο παγωτού και απολαύστε το.
- Αν η υφή του παγωτού δεν είναι καλή στον καθορισμένο χρόνο, μπορείτε να παρατείνετε το χρόνο επεξεργασίας πιέζοντας το κουμπι αύξησης/μείωσης χρόνου [10] ή να προσθέσετε μερικά συστατικά.



GR

Προσθήκη πρόσθετου συστατικού

- Κατά τη διαδικασία παρασκευής παγωτού, μπορείτε να προσθέσετε επιπλέον συστατικά σύμφωνα με την ιδιαίτερη γεύση σας όπως φρούτα, τσιπς σοκολάτας, σταφίδες, ξηρούς καρπούς, αμύγδαλα κ.λπ.

Λειτουργία διατήρησης ψύξης

Αυτή η λειτουργία επιτρέπει στο χρήστη να σερβίρει το παγωτό αργότερα.

- Στον καθορισμένο χρόνο, ο αναδευτήρας θα σταματήσει την περιστροφή και ο κινητήρας θα σταματήσει να λειτουργεί.
- Η οθόνη θα αναβοσβήνει με την ένδειξη 00:00 / COOL να εναλλάσσεται για περίπου 10 λεπτά και

- Για να το κάνετε, απλά ανοίξετε το διαφανές καπάκι (1) και προσέχετε κατά την προσθήκη των συστατικών.
- Κλείστε το καπάκι (2) μετά την προσθήκη.

η ένδειξη θερμοκρασίας (7d) θα εμφανίζεται σταθερά.

- Αυτό σημαίνει ότι έχει μεταβεί στη λειτουργία «Διατήρησης ψύξης». Η λειτουργία "Διατήρηση ψύξης" θα διαρκέσει για περίπου 2 ώρες.
- Μετά από 2 ώρες, η συσκευή και η οθόνη θα σβήσουν αυτόματα

Προστασία κινητήρα

- Εάν το παγωτό είναι πολύ σκληρό, ο κινητήρας θα φρακάρει και η διαδικασία παραγωγής παγωτού θα διακοπεί.
- Η συσκευή θα σβήσει αυτόματα για να αποφευχθεί η υπερθέρμανση του κινητήρα.

- Βγάλτε τη συσκευή από την πρίζα και αφήστε τη να κρυώσει εντελώς πριν τη βάλετε σε λειτουργία ξανά.
- Ελέγξτε ξανά τη συνταγή και απορρίψτε τα τρόφιμα καθώς τα συστατικά δεν είναι σωστά και κάτι δεν πάει καλά.

Αφαίρεση και σερβίρισμα του παγωτού

- Ανοίξετε το καπάκι (1) της συσκευής και αφαιρέστε το δοχείο παγωτού (2) από τη συσκευή. Μεταφέρετε το παγωτό σε κατάλληλο δοχείο ή ποτήρι παγωτού.
Σημείωση: Χρησιμοποιείτε μόνο πλαστικές ή ξύλινες σέσουλες (περιλαμβάνονται) για να αποφύγετε την καταστροφή του δοχείου παγωτού.

- Φυλάσσετε το παγωτό σε κατάλληλα σφραγισμένο δοχείο σε μέγιστη θερμοκρασία περίπου -12° C το πολύ για 1 εβδομάδα. Σημειώστε το δοχείο με την ημερομηνία παραγωγής και τη γεύση.
- **Προσοχή!** Το παγωτό είναι ιδανικό περιβάλλον για την ανάπτυξη βακτηριδίων. Διατηρήστε το παγωτό, τη συσκευή και τα δοχεία αποθήκευσης παγωτού καθαρά και στεγνά. Μην ξαναψύχετε ποτέ παγωτό που έχει λιώσει ή έχει μερικώς ξεπαγώσει.

Προτεινόμενες συνταγές

1. Παγωτό βανίλια

- Γάλα: 250ml
- Κρέμα: 500ml
- Ζάχαρη 110g
- 1 ~ 2 κουταλάκια του γλυκού εκχύλισμα βανίλιας

2. Παγωτό σοκολάτα

- Γάλα: 250ml
- Κρέμα: 500ml
- Ζάχαρη 50g
- 100g γλυκόπικρη ή ημι-γλυκιά σοκολάτα (την αγαπημένη σας)
- 1 κουταλάκι του γλυκού εκχύλισμα βανίλιας

Σχόλιο: Σημειώστε ότι αυτές οι συνταγές είναι μόνο για αναφορά.

Καθαρισμός και Συντήρηση

Προσοχή: Αποσυνδέετε πάντα τη συσκευή από την πρίζα και αφήστε την να κρυώσει εντελώς πριν την καθαρίσετε και την αποθηκεύσετε.

Καθαρισμός

- Μην βυθίζετε ποτέ τη συσκευή σε νερό ή σε άλλο υγρό!
- Καθαρίστε την κρύα εξωτερική επιφάνεια με ένα ελαφρά υγρό πανί ή σφουγγάρι με ήπιο διάλυμα σαπουνιού.
- Μην χρησιμοποιείτε ποτέ σκληρά σφουγγάρια ή απορροπαντικά, συρμάτινη βούρτσα ή μεταλλικά σκεύη για να καθαρίσετε τα εσωτερικά ή εξωτερικά μέρη της συσκευής.
Σημείωση: Κανένα μέρος της συσκευής δεν είναι κατάλληλο για πλύσιμο σε πλυντήριο πιάτων.

Αποθήκευση

- Πριν αποθηκεύσετε την συσκευή, βεβαιωθείτε ότι έχει αποσυνδεθεί από την πρίζα και έχει κρυώσει πλήρως.
- Φυλάσσετε τη συσκευή σε δροσερό, καθαρό και στεγνό χώρο

Αντιμετώπιση προβλημάτων

Αν η συσκευή δεν λειτουργεί σωστά, συμβουλευτείτε τον παρακάτω πίνακα για πιθανές λύσεις.

Αν συνεχίζετε να μην μπορείτε να επιλύσετε το πρόβλημα, επικοινωνήστε με τον προμηθευτή/πάρoχο σέρβις.

Προβλήματα	Πιθανές αιτίες	Πιθανές λύσεις
Η συσκευή δεν ανάβει.	- Το βύσμα δεν είναι σωστά συνδεδεμένο στην πρίζα. - Πατήστε το κουμπί αναμονής/απενεργοποίησης (1).	- Ελέγξτε το βύσμα για να βεβαιωθείτε ότι είναι σωστά συνδεδεμένο. - Πατήστε το κουμπί αναμονής/απενεργοποίησης (1).
Ο αναδευτήρας σταματά να περιστρέφεται	- Το παγωτό είναι πολύ σκληρό. Σταματήστε το για να αποφύγετε την υπερθέρμανση.	- Αποσυνδέστε τη συσκευή και αφήστε τη να κρυώσει εντελώς πριν ξεκινήσετε ξανά. - Πετάξτε τα συστατικά και ελέγξτε ξανά τη συνταγή.

GR

Τεχνικές προδιαγραφές

Αρ. προϊόντος: 274231

Operating voltage and frequency: 220- 240V~ 50Hz

Ονομαστική ισχύς: 180W

Χωρητικότητα δοχείου: περίπου, 2,0L

Χωρητικότητα παγωτού: περίπου 1,3L

Εύρος θερμοκρασίας: - 10°C ~ - 35°C

Ρύθμιση χρονοδιακόπτη: 5 ~ 90 λεπτά

(Ο αναδευτήρας περιστρέφεται μέχρι να λήξει το χρονόμετρο. Όταν ο αναδευτήρας μπλοκάρει από το παγωτό το μοτέρ θα σταματήσει αυτόματα για να αποτρέψει τυχόν ζημιά.)

Κατηγορία προστασίας: Κατηγορία I

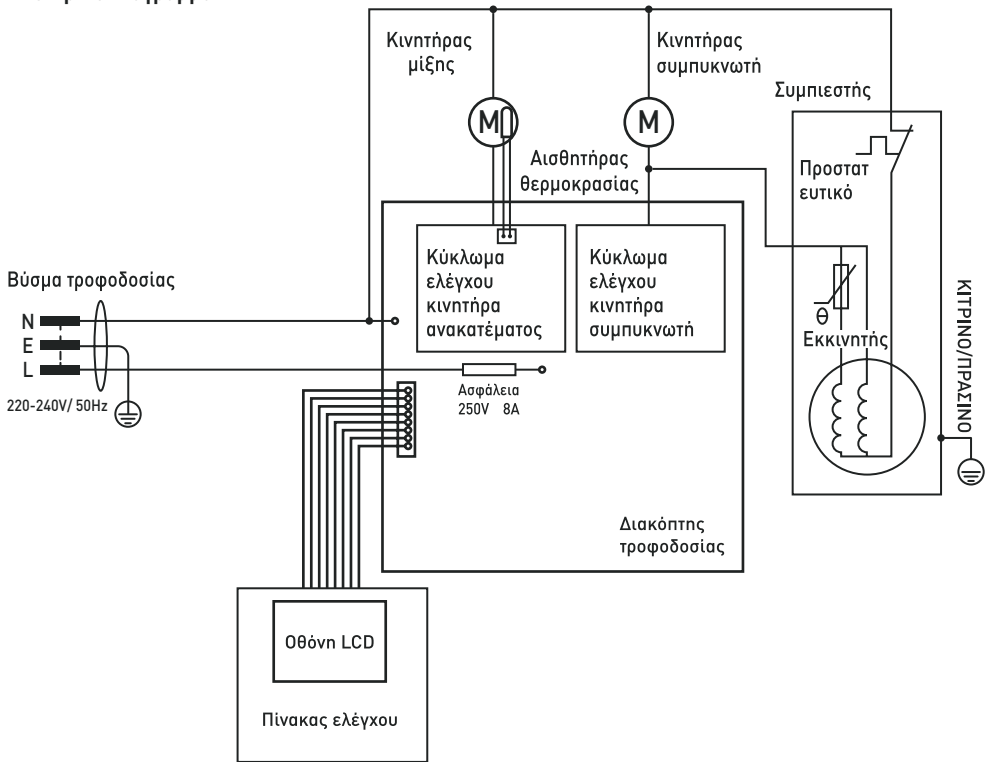
Χρησιμοποιούμενο ψυκτικό μέσο και ποσότητα έγχυσης: R600a / 32g

Διαστάσεις συσκευής: περ. 272x315x(Y)362mm

Καθαρό βάρος: απερ. 12kg

Σημείωση: Οι τεχνικές προδιαγραφές μπορούν να τροποποιηθούν χωρίς προηγούμενη ειδοποίηση.

Ηλεκτρικό Διάγραμμα



Εγγύηση

Οποιοδήποτε ελάττωμα επηρεάζει τη λειτουργικότητα της συσκευής που γίνεται προφανές δύο χρόνια μετά την αγορά της, θα διορθώνεται με δωρεάν επισκευή ή αντικατάσταση, αρκεί η συσκευή να έχει χρησιμοποιηθεί και συντηρηθεί σύμφωνα με τις οδηγίες και να μην έχει γίνει κατάχρηση ή λανθασμένη χρήση της με οποιονδήποτε τρόπο. Δε θίγονται τα νόμιμα δικαιώματά σας. Εάν η συσκευή υποστηρίζεται

από εγγύηση, δηλώστε πού και πότε έχει αγοραστεί και συμπεριλάβετε την απόδειξη αγοράς (π.χ. απόδειξη λιανικής πώλησης).

Σύμφωνα με την πολιτική μας για τη συνεχή εξέλιξη των προϊόντων μας, διατηρούμε το δικαίωμα να αλλάξουμε το προϊόν, τη συσκευασία και τις προδιαγραφές τεκμηρίωσής του χωρίς προειδοποίηση.

Απόρριψη & Περιβάλλον

Η συσκευή, μετά το πέρας της διάρκειας ζωής της, δεν πρέπει να απορρίπτεται ως οικιακό απόρριμμα. Πρέπει να απορρίπτεται, με δική σας ευθύνη, σε καθορισμένο σημείο συλλογής. Η μη τήρηση αυτού ενδέχεται να τιμωρείται σύμφωνα με τους ισχύοντες κανονισμούς για τη διάθεση των απορριμμάτων. Η χωριστή συλλογή και ανακύκλωση αυτής της συσκευής κατά τη στιγμή της απόρριψης βοηθά στη διατήρηση των φυσικών πόρων και εξασφαλίζει την

ανακύκλωσή της με τρόπο που προστατεύει την ανθρώπινη υγεία και το περιβάλλον. Για περισσότερες πληροφορίες σχετικά με το πού μπορείτε να απορρίψετε τη συσκευή για ανακύκλωση, επικοινωνήστε με την τοπική εταιρεία συλλογής απορριμμάτων. Οι κατασκευαστές και οι εισαγωγείς δεν αναλαμβάνουν την ευθύνη ανακύκλωσης, επεξεργασίας και οικολογικής διάθεσης, είτε άμεσα είτε μέσω δημόσιου συστήματος.

ΣΕΡΒΙΑΣ ΕΛΛΑΔΟΣ:

Τηλ.: 213 0 998989 (10 γραμμές)

info@pks-hendi.com

Hendi B.V.

Innovatielaan 6
6745 XW De Klomp, The Netherlands
Tel: +31 317 681 040
Email: info@hendi.eu

Hendi Polska Sp. z o.o.

ul. Firmowa 12
62-023 Robakowo, Poland
Tel: +48 61 658 7000
Email: info@hendi.pl

Hendi Food Service Equipment GmbH

Ehring 15
5112 Lamprechtshausen, Austria
Tel: +43 6274 200 10 0
Email: office.austria@hendi.eu

Hendi Food Service Equipment Romania S.R.L.

Str. 13 decembrie 94A, Hala 14
Braşov, 500164, Romania
Tel: +40 268 320330
Email: office@hendi.ro

PKS Hendi South East Europe SA

5 Metsovou Str.
18346 Moschato, Athens, Greece
Tel: +30 210 4839700
Email: info@pks-hendi.com

Hendi Italia S.R.L.

Via Leonardo da Vinci 4
39100 Bolzano (BZ), Italy
Tel: +39 800 727 438
Email: office.italy@hendi.eu

Hendi HK Ltd.

1208, 12/F Exchange Tower
33 Wang Chiu Road, Kowloon Bay, Hong Kong
Tel: +852 2154 2618
Email: info-hk@hendi.eu

Find Hendi on internet:

www.hendi.eu
www.facebook.com/HendiToolsforChefs
www.linkedin.com/company/hendi-food-service-equipment-b.v.
www.youtube.com/HendiEquipment

- Changes, printing and typesetting errors reserved.
- Änderungen und Druckfehler vorbehalten.
- Wijzigingen en drukfouten voorbehouden.
- Producent zastrzega sobie prawo do zmian oraz błędów drukarskich w instrukcji.

- Variations et fautes d'impression réservés.
- Errori di cambiamenti, di stampa e di impaginazione riservati.
- Drepturi rezervate cu privire la modificări și greșeli de imprimare.
- Изменения, печати и верстки ошибки защищены.
- Με επιφύλαξη αλλαγών, λαθών εκτύπωσης και στοιχειοθεσίας.